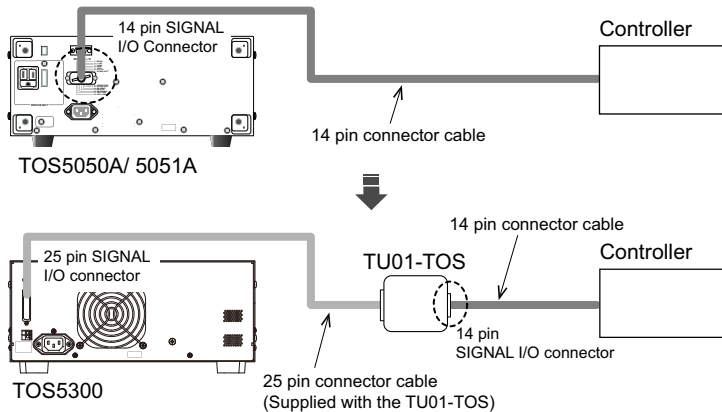


The TU01-TOS is a terminal unit that converts the 25 pin SIGNAL I/O connector of the Kikusui TOS5200/ TOS5300/ 5301/ 5302 Withstanding Voltage Tester to the 14 pin SIGNAL I/O connector of the TOS5050A/ 5051A.

You can insert this unit between a controller and a TOS5200/ TOS5300/ 5301/ 5302 to perform the same external control that you can perform on the TOS5050A/ 5051A.

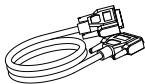
Before you use the product, thoroughly read the warnings and precautions that are written in the TOS5200/ TOS5300/ 5301/ 5302 Withstanding Voltage Tester operation manual. Connect this product only to a TOS5200/ TOS5300/ 5301/ 5302.



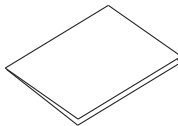
Example of connecting to TOS5300 example

Components

Check that all parts are included and that they are not damaged. If any of the parts are damaged or missing, contact your Kikusui agent or distributor.

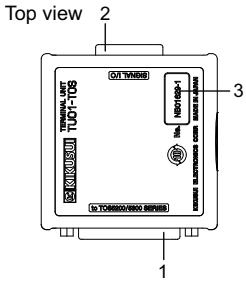
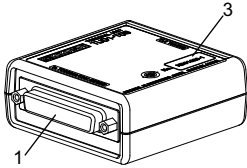


Connector cable (1 pc.)
[89-04-0220]



Operation manual
(This manual, 1 pc.)
[Z1-005-740]

Part Names and Functions



No.	Name	Function
1	to TOS5200/ 5300 SERIES connector	D-sub 25 pin connector (TOS5200/ 5300/ 5301/ 5302 side)
2	SIGNAL I/O connector	14 pin Amphenol connector
3	Serial number	This is the serial number of the TU01-TOS.

14 pin SIGNAL I/O Specifications

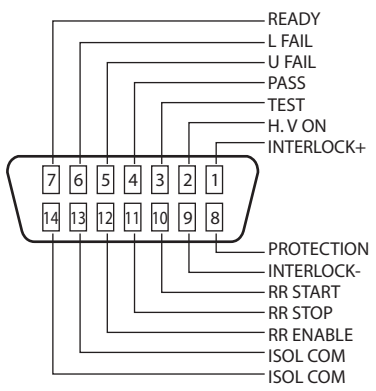
The specifications of the 14 pin SIGNAL I/O connector of the TOS5050A/ 5051A and the 14 pin SIGNAL I/O of the TU01-TOS are the same.

Input signal control section

High-level input voltage	11 V to 15 V
Low-level input voltage	0 V to 4 V
Low-level input current	-5 mA maximum
Input time width	5 ms minimum
Isolation type	Photocoupler (DC 30 V/AC 30 Vrms MAX)

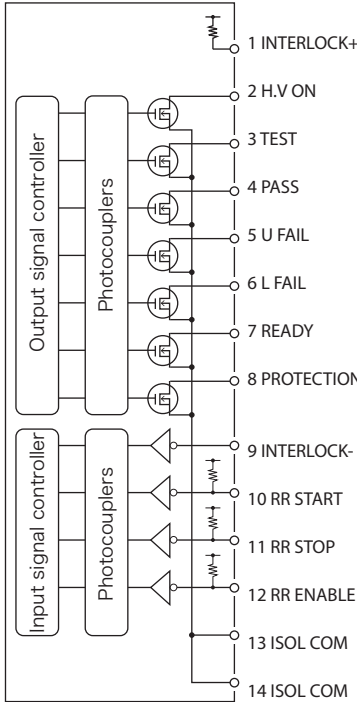
Output signal control section

Type of output	Open drain output
Output withstanding voltage	DC 30 V
Output saturation voltage	Approx. 0.7 V (25 °C)
Maximum output current	400 mA (in TOTAL)
Isolation	Photocoupler (DC 30 V/AC 30 Vrms MAX)



Internal construction

The signal output on the SIGNAL I/O connector is an open-collector output, and is isolated from the internal circuit by photocouplers. However, the circuit common is shared with the input signal.



Pin No.	Signal	I/O	Output condition and signal description
1	INTERLOCK+	I	Interlock signal input pin
2	H.V ON	O	ON while high voltage is applied across the output terminals
3	TEST	O	ON while the test is in progress
4	PASS	O	ON for approximately 0.2 s when PASS results from judgment. ON continuously when PASS HOLD is enabled.
5	U FAIL	O	ON continuously when a current above the upper cutoff current is detected and FAIL results from judgment.
6	L FAIL	O	ON continuously when a current below the lower cutoff current is detected and FAIL results from judgment.
7	READY	O	ON when ready
8	PROTECTION	O	ON when the PROTECTION function is enabled
9	INTERLOCK-	I	Interlock signal input pin
10	RR START	I	Start signal input pin
11	RR STOP	I	Stop signal input pin
12	RR ENABLE	I	Remote control enable signal input pin
13	ISOL COM		Circuit common pin
14	ISOL COM		Circuit common pin

14 pin SIGNAL I/O interlock function

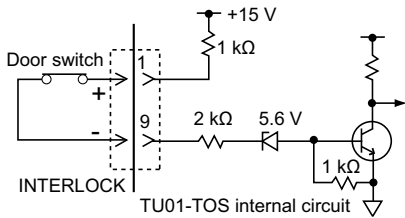
This feature links the TU01-TOS to an external device to stop output appropriately. This ensures the safety of the operator.

When you are actually performing tests, use the interlock feature to ensure safety.

Even after you connect this product and convert the connector to a 25 pin SIGNAL I/O plug, the interlock function will still work.

The 14 pin SIGNAL I/O connector of this product and the SIGNAL I/O connector of the TOS5050/ 5051/ 5101 Withstanding Voltage Tester are not compatible. The pin assignments for the interlock function are different.

Reference circuit



The interlock function is enabled when the circuit (Pins 1 and 9 of the SIGNAL I/O connector) is made open; it is released when the circuit is closed.

TU01-TOS Specifications

Environment	Installation location	Indoors, at a height of up to 2000 m
	Spec guaranteed Temperature and Humidity	5 °C to 35 °C (41 °F to 95 °F), 20 %rh to 80 %rh (no condensation)
	Operating Temperature and Humidity	0 °C to 40 °C (32 °F to 104 °F), 20 %rh to 80 %rh (no condensation)
	Storage Temperature and Humidity	-20 °C to 70 °C (-4 °F to 158 °F), 90 %rh or less (no condensation)
Dimensions	67 mm x 28 mm x 67 (80) mm (2.64 inch x 1.10 inch x 2.64 (3.15) inch)	
Weight	Approx. 100 g (0.22 lb.)	
Accessories	Connection cable	1 pc.
	Operation manual	1 pc.



环境保护使用期限 Environment-friendly Use Period

该标记为适用于在中华人民共和国销售的电子信息产品的环境保护使用期限。只要遵守有关该产品的安全及使用注意事项，从制造年月起计算，在该年度内，就不会对环境污染、人身、财产产生重大的影响。产品的废弃请遵守有关规定。产品的制造年月可以在以下网址中确认。

<https://www.kikusui.co.jp/pi/>

有毒有害物质或元素名称及含有標示 Name of hazardous materials and symbol of element in the equipment and quantity

部件名称	有毒有害物质或元素					
	铅 Pb	汞 Hg	镉 Cd	六价铬 Cr(VI)	多溴联苯 PBB	多溴二苯醚 PBDE
TU01-TOS	×	○	○	○	○	○

本表格依据 SJ/T 11364 的规定编制。

- : 该部件所有均质材料的有毒有害物质的含量不超过 GB/T 26572 标准所规定的限值要求。
- ×: 该部件至少有一种均质材料的有毒有害物质的含量超过 GB/T 26572 标准所规定的限值要求。

KIKUSUI ELECTRONICS CORP.

1-1-3 Higashiyamata, Tsuzuki-ku, Yokohama,
224-0023, Japan

Tel: +81-45-482-6353

Fax: +81-45-482-6261

www.kikusui.co.jp/en

The newest version of the operation manual can be downloaded from Download service of Kikusui website.

