

OPERATION MANUAL

REMOTE CONTROL BOX

RC01-TOS/RC02-TOS

Remote Control Box RC01-TOS/RC02-TOS enables a user to control the starting and stopping operations of Kikusui's Withstanding Voltage or Insulation Resistance Tester from a remote location.

You can use this remote control box by simply connecting it to the REMOTE terminal on the panel of the Tester.

RC01-TOS is equipped with one START switch. RC02-TOS is equipped with two START switches, both of which you have to press simultaneously to be able to start testing.

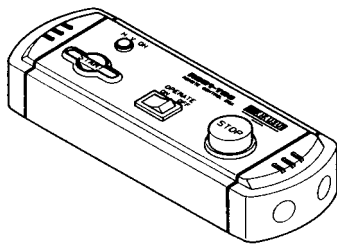


- WARNING** • The signals sent from the Remote Control Box are capable of turning ON/OFF a high voltage. Therefore, certain situations may create extremely hazardous conditions. Make sure not to generate high voltages carelessly and provide adequate safety measures to prevent anyone from touching the device under test, high voltage test lead, probe, and output terminals when high voltage is generated. Never use the Remote Control Box unless the above measures are adequately provided.



- NOTE** • RC01-TOS/RC02-TOS is designed so that it can be used with the Tester. Before using the Remote Control Box, read WARNING and CAUTION descriptions in the Tester operation manual thoroughly.

Functions

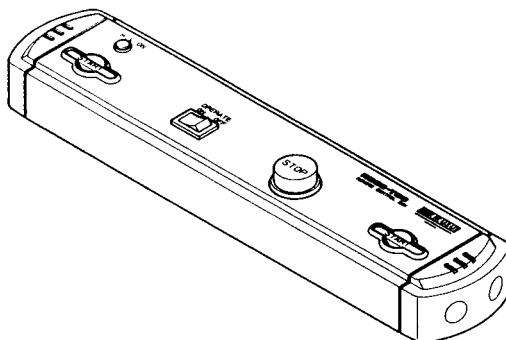


OPERATE switch

The START switch will be effective only when this switch is ON. When this switch is OFF, a forced stop is activated.

START switch

A test can be started by pressing this switch when the OPERATE switch is ON and the Tester is in the READY status.

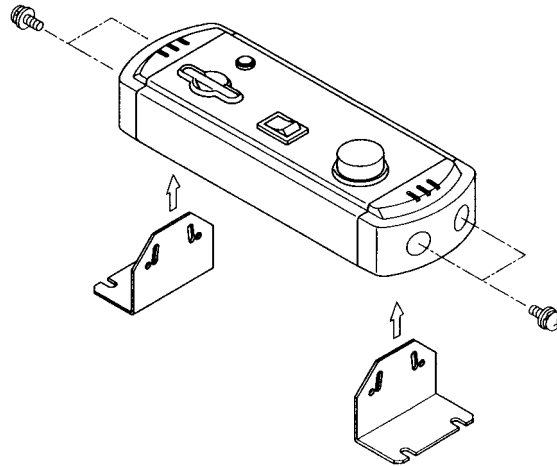


STOP switch

This switch is used to cut off the output voltage or to cancel the FAIL status. The switch provides a function similar to the STOP switch on a Tester.

Using Brackets

To fix the remote control box, install provided brackets as shown in Figure below.



Specifications

Dimensions	RC01-TOS	200 (W) x70 (H) x39 (D) mm
	RC02-TOS	330 (W) x70 (H) x39 (D) mm
Accessories	Operation Manual: 1 Bracket: 2 Fixing screw (M3 x10): 4 DIN connector cable (1.5 m): 1	

NOTE

- The operation environment and safety of RC01-TOS/RC02-TOS conform to those of the Tester.
-

KIKUSUI ELECTRONICS CORP.

1-1-3, Higashiyamata, Tsuzuki-ku, Yokohama, 224-0023, Japan
Tel : 045-593-7570 Fax : 045-593-7571