

Instruction manual

Output Cable TL22-PFX

The TL22-PFX is a dedicated output cable for use in connecting a Kikusui PFX2431 Capacitor Tester to a DUT (capacitor). The cables that are necessary for making this connection are already assembled.

Before you use the TL22-PFX thoroughly read the warnings and precautions that are written in the PFX2400 series Capacitor Tester operation manual.

How to Use

Be sure to bind the current cables and the shielded cable with the attached cable tie.

Using the cable when its extra length is wound or twisted may cause problems such as abnormal oscillation or overshoot. To avoid these problems, make the cable as short as possible.

It is recommended to install fuses between the PFX2431 and the DUT (capacitor) to prevent short-circuiting of the current wire or the shielded wire and to secure the connection. Install the fuse or switch as close to the DUT (capacitor) terminal as possible.

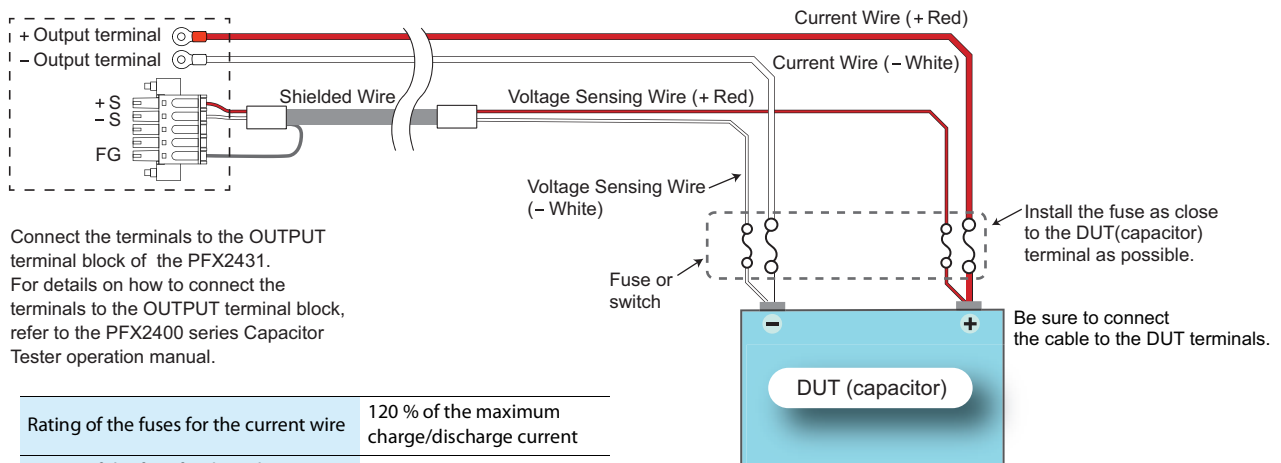


To avoid short-circuiting, observe the following precautions.

- First connect the cable to the PFX2431, and then connect the cable to the DUT (capacitor).
- Do not step on or place heavy objects on the cable, especially the shielded wire.

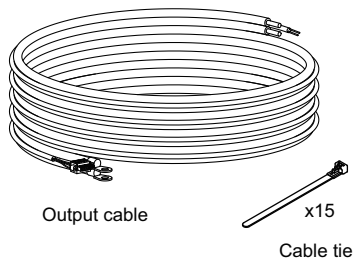


If you are using the cable in a high-temperature environment such as in a temperature chamber, make sure that the operating temperature does not exceed 105 °C.



Rating of the fuses for the current wire	120 % of the maximum charge/discharge current
Rating of the fuse for the voltage sensing wire	less than 0.1 A

Specifications



Maximum operating voltage		10 Vdc
Maximum operating current		80 A
Maximum operating temperature		105 °C
Cable termination	DUT (capacitor) side	Current wire: No Stripping Voltage sensing wire: Strip-off (approx. 6 mm)
	PFX2431 capacitor tester side	Current wire: R22-8 crimp terminal Voltage sensing wire: Sensing connector
Size		Current wire: AWG4 (nominal cross section: 22 mm ²) Shielded wire (core wire): AWG24
Length		Approx. 5m