

# Instruction manual

## Output Cable TL21-PFX

The TL21-PFX is a dedicated output cable for use in connecting a Kikusui PFX2421 Capacitor Tester to a DUT (capacitor). The cables that are necessary for making this connection are already assembled.

Before you use the TL21-PFX thoroughly read the warnings and precautions that are written in the PFX2400 series Capacitor Tester operation manual.

### How to Use

Be sure to bind the current cables and the shielded cable with the attached cable tie.

Using the cable when its extra length is wound or twisted may cause problems such as abnormal oscillation or overshoot. To avoid these problems, make the cable as short as possible.

It is recommended to install fuses between the PFX2421 and the DUT (capacitor) to prevent short-circuiting of the current wire or the shielded wire and to secure the connection. Install the fuse or switch as close to the DUT (capacitor) terminal as possible.

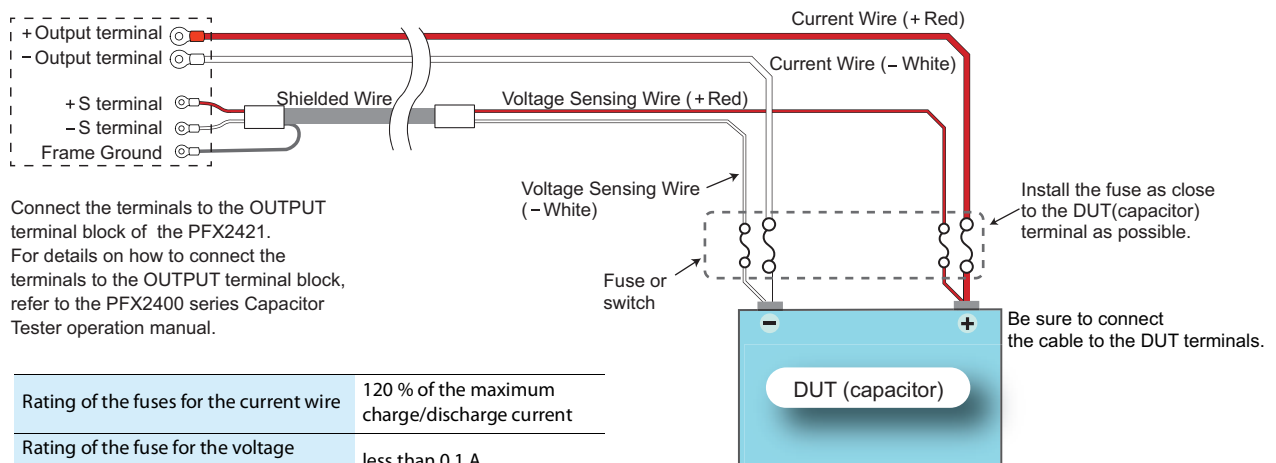


**To avoid short-circuiting, observe the following precautions.**

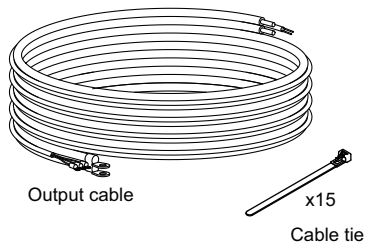
- First connect the cable to the PFX2421, and then connect the cable to the DUT (capacitor).
- Do not step on or place heavy objects on the cable, especially the shielded wire.



If you are using the cable in a high-temperature environment such as in a temperature chamber, make sure that the operating temperature does not exceed 105 °C.



### Specifications



|                               |                               |  |
|-------------------------------|-------------------------------|--|
| Maximum operating voltage     |                               | 10 Vdc   |
| Maximum operating current     |                               | 80 A   |
| Maximum operating temperature |                               | 105 °C   |
| Cable termination             | DUT (capacitor) side          | Current wire: No stripping<br>Voltage sensing wire: Strip-off (approx. 6 mm)                         |
|                               | PFX2421 capacitor tester side | Current wire: R22-8 crimp terminal<br>Voltage sensing wire: 1.25-3 crimp terminal                    |
| Size                          |                               | Current wire: AWG4 (nominal cross section: 22 mm <sup>2</sup> )<br>Shielded wire (core wire) : AWG24 |
| Length                        |                               | Approx. 5m   |