

Instruction manual

Output Cable TL20-PFX

The TL20-PFX is a dedicated output cable for use in connecting a Kikusui PFX2411 Capacitor Tester to a DUT (capacitor). The cables that are necessary for making this connection are already assembled.

Before you use the TL20-PFX, thoroughly read the warnings and precautions that are written in the PFX2400 series Capacitor Tester operation manual.

How to Use

Be sure to bind the current wires and the shielded wire with the attached cable tie.

Using the cable when its extra length is wound or twisted may cause problems such as abnormal oscillation or overshoot. To avoid these problems, make the cable as short as possible.

It is recommended to install fuses between the PFX2411 and the DUT (capacitor) to prevent short-circuiting of the current wire or the shielded wire and to secure the connection. Install the fuse or switch as close to the DUT (capacitor) terminal as possible.

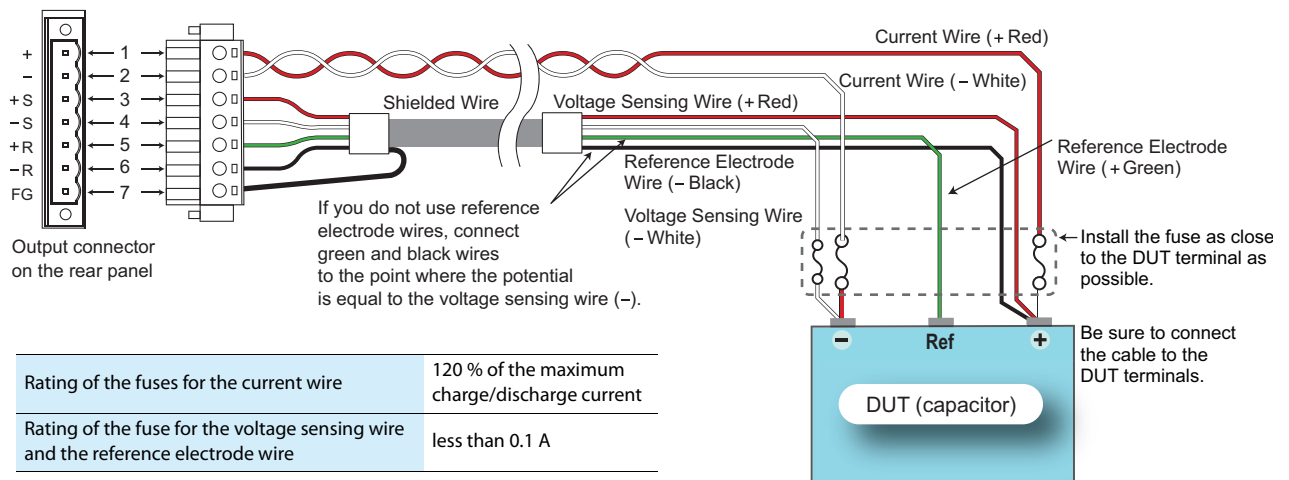


To avoid short-circuiting, observe the following precautions.

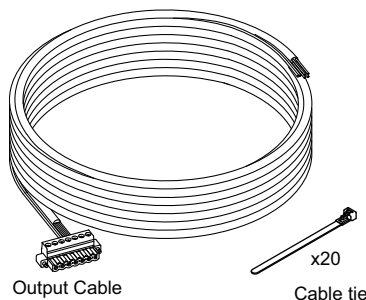
- First connect the cable to the PFX2411, and then connect the cable to the DUT (capacitor).
- Do not step on or place heavy objects on the cable, especially the shielded wire.



If you are using the cable in a high-temperature environment such as in a temperature chamber, make sure that the operating temperature does not exceed 90 °C.



Specifications



Maximum operating voltage	10 Vdc
Maximum operating current	6 A
Maximum operating temperature	90 °C
Cable termination (DUT (capacitor) side)	Current wire: Strip-off (approx. 6 mm) Voltage sensing wire: Strip-off (approx. 10 mm) Reference electrode wire: Strip-off (approx. 10 mm)
Size	Current wire: AWG16 Shielded wire (core wire): AWG24
Length	Approx. 7m