

Instruction manual

Load Cable TL08-PFX

The TL08-PFX is a dedicated load cable for use in connecting a Kikusui PFX2500 Series Charge / Discharge System Controller to a DUT (battery). Because the cables that are necessary for making this connection are already assembled, you can connect the system controller and the DUT easily and in a short amount of time.

Before you use the product, thoroughly read the “⚠ Safety Symbols” and “⚠ Safety Precautions” that are written in the PFX2500 Series Charge / Discharge System Controller operation manual.

How to Use

Using the cable when its extra length is wound or twisted may cause problems such as abnormal oscillation or overshoot. To avoid these problems, make the cable as short as possible.

It is recommended to install fuses between the PFX2500 series and the DUT (battery) to prevent short-circuiting of the DUT cable or the voltage sensing cable and to secure the connection. Install the fuse or switch as close to the DUT (battery) terminal as possible.

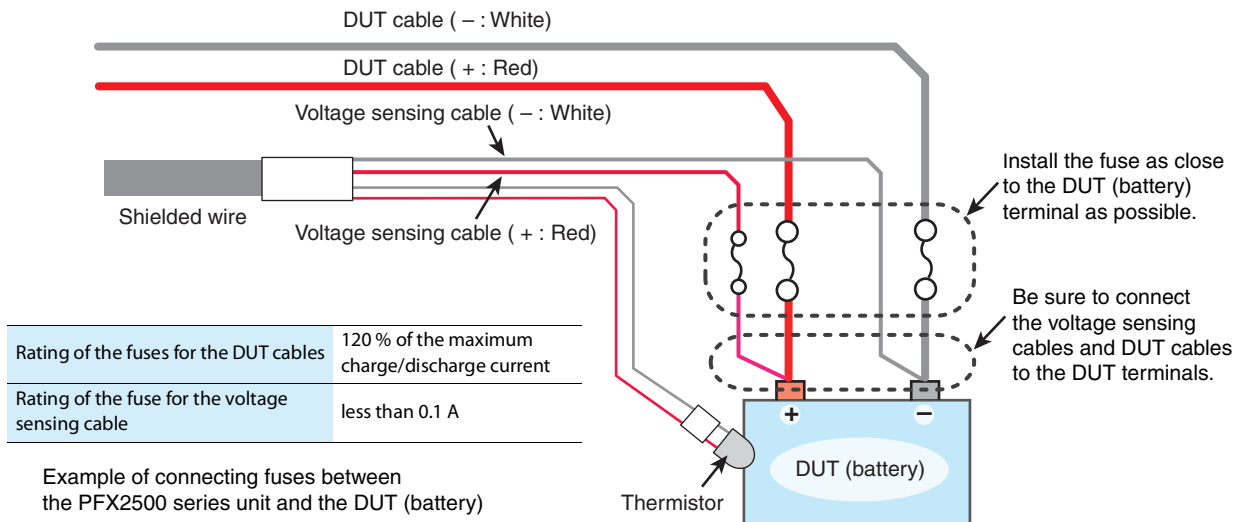


WARNING To avoid short-circuiting, observe the following precautions.

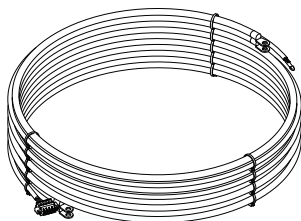
- First connect the cable to the PFX2500 series unit, and then connect the cable to the DUT (battery).
- Do not step on or place heavy objects on the cable, especially the shielded wire.



CAUTION If you are using the cable in a high-temperature environment such as in a heat chamber, make sure that the operating temperature does not exceed 105 °C.



Specifications



Maximum operating voltage	80 Vdc
Maximum operating current	60 A
Maximum operating temperature	105 °C
Terminal shape	DUT (battery) side DUT cable : Cable with crimp terminal R14-6
Wires	DUT cable : AWG6 (14 mm ² suitable) Shielded wire (core wire) : AWG24 Length : Approx. 5 m (The shielded wires are slightly longer than 5 m.)