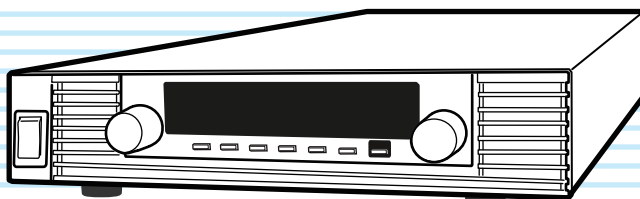


# User's Manual

## Regulated DC Power Supply

PWX Series

# PWX750ML



## About the PWX750ML Manuals

These manuals are intended for users of the Regulated DC Power Supply and their instructors. It is assumed that the reader has knowledge about electrical aspects of regulated DC power supplies.

### Documentation Structure

#### ■ Safety information

This document contains general safety precautions for this product. Keep them in mind and make sure to observe them.

#### ■ User's manual (this manual, PDF)

This manual is intended for first-time users of this product. It provides an overview of the product and notes on usage. It also explains how to configure the product, operate the product, perform maintenance on the product, specifications the product, and so on. To effectively use the product features, read this manual from beginning to end.

We recommend that you read it thoroughly before using this product for the first time.

If you forget how to use the product or if a problem occurs, we recommend that you refer to this manual again.

#### ■ Quick reference

This manual explains Panel description and operation briefly.

#### ■ Communication Interface Manual (HTML, partially PDF)

This manual contains details about using commands to control the product remotely. It also contains details about the multichannel function (Virtual Multi Channel Bus), which makes it possible to control up to 31 PWXs from a single PC.

The interface manual is written for readers with sufficient basic knowledge of how to control power supplies using a PC.

The command list is provided in PDF format.

PDF and HTML files are included in the accompanying CD-ROM. Adobe Reader is required to view the PDF files.

Microsoft Internet Explorer or Google Chrome is required to view the HTML files.

The newest version of the manual can be downloaded from Download service of Kikusui website

### Firmware versions that this manual covers

This manual covers firmware versions 3.0X.

When contacting us about the product, please provide us with:

The model (marked in the top section of the front panel)

The firmware version (see page 13)

The serial number (marked on the rear panel)

### Trademarks

Microsoft, Internet Explorer, and Windows are either registered trademarks or trademarks of Microsoft Corporation in the United States and/or other countries.

Other company names and product names used in this manual are generally trademarks or registered trademarks of the respective companies.

### Copyrights

The contents of this manual may not be reproduced, in whole or in part, without the prior consent of the copyright holder.

The specifications of this product and the contents of this manual are subject to change without prior notice.

© 2011 Kikusui Electronics Corporation

## Checking the Package Contents

When you receive the product, check that all accessories are included and that the accessories have not been damaged during transportation.

If any of the accessories are damaged or missing, contact your Kikusui agent or distributor.

We recommend that you save all packing materials, in case the product needs to be transported at a later date.

Component	Quantity
Power cord	1 pc.
Output terminal cover	1 set
J1 connector plug kit	1 set
Output terminal M6 bolt set	2 sets
Chassis connection wire	1 pc.
Packing list	1 pc.
Quick reference	English: 1 pc. Japanese: 1 pc.
Safety information	1 pc.
CD-ROM	1 disc

## Product Overview

The PWX750ML is a constant voltage (CV)/constant current (CC) automatic crossover power supply that can output a wide range of voltage and current within rated output power.

It can be controlled remotely through the standard-equipped communication feature.

Model	Maximum operating current	Operating voltage	Power
PWX750ML	28 A	0 V to 80 V	750 W

## Features

### Communication feature

RS232C, USB, and LAN interfaces are all installed as standard.

The remote interfaces comply with IEEE Std 488.2 1992 and SCPI Specification 1999.0. Because the LAN interface complies with the LXI standard, the construction of a highly cost-effective system is possible. If you use the multichannel (VMCB) function, you can construct a multichannel power supply system in which up to 31 PWXs are controlled from a single PC.

### Master-slave parallel operation

You can increase the PWX750ML's output current by connecting up to four units in parallel. You can set one unit as the master unit, and control the remaining units as slave units.

### Setting preset feature

You can save up to three sets of output settings (the combination of the voltage value and current value). You can simply select a set of output settings that you want to use rather than having to specify each setting every time.

### Automatic output on setting

You can set the PWX750ML so that when a protection function is activated and the output is turned off, output is automatically turned back on when the problem that caused the protection function to be activated is fixed.

### Set voltage/current limitation feature

You can apply limits to the voltage and current settings. This prevents you from setting an appropriate value by mistake, which would cause the output to turn off.

### Overcurrent protection (OCP) detection time setting

You can set a detection time, which is the amount of time that an overcurrent must persist after the first detection of the overcurrent before the overcurrent protection (OCP) is activated. By setting the detection time, you can prevent an alarm from occurring when an inrush current from the EUT connected to the output causes an excessive current to flow temporarily.

### Bleeder on/off feature

You can turn the bleeder circuit on and off. Turn the bleeder circuit off when you do not want the internal bleeder circuit to sink output current. When you connect a battery, you can prevent excessive electrical discharges by turning the bleeder circuit off.

### Compatibility with other products

You can set the command language and emulation that are used during remote control. By setting the command language, you can enable the PWX to support the proprietary commands of other products. By selecting the emulation, you can remotely control products other than the PWX.

### Isolated analog interface (factory option)

You can use isolated optical signals to set and monitor the output voltage and current. The signal is isolated from the reference potential of this product.

You can use a voltage control (0 V to 5 V or 0 V to 10 V) or a current control (4 mA to 20 mA).



## Safety Precautions

When using this product, be sure to observe the “Safety Precautions” in the Safety information manual.



## Precautions Concerning Installation Location

When installing this product, be sure to observe the “Precautions Concerning Installation Location” in the Safety information manual. The following precautions pertain only to this product.

- When installing this product, be sure to observe the temperature and humidity ranges indicated below.
  - Operating temperature range: 0 °C to +50 °C (32 °F to 122 °F)
  - Operating humidity range: 20 %rh to 85 %rh (no condensation)
- When storing this product, be sure to observe the temperature and humidity ranges indicated below.
  - Storage temperature range: -20 °C to +70 °C (-4 °F to 158 °F)
  - Storage humidity range: 90 %rh or less (no condensation)

## Notations Used in This Manual

- In this manual, the PWX750ML Regulated DC Power Supply is referred to as the “PWX Series” or “PWX750ML.”
- The term “PC” is used to refer generally to both personal computers and workstations.
- The screen captures used in this manual may differ from the actual screens that appear on the PWX750ML. The screen captures are merely examples.
- The following markings are used in this manual.

### WARNING

Indicates a potentially hazardous situation which, if ignored, could result in death or serious injury.

### CAUTION

Indicates a potentially hazardous situation which, if ignored, may result in damage to the product or other property.

### NOTE

Indicates information that you should know.

### DESCRIPTION

Explanation of terminology or operation principle.

### See

Indicates a reference to detailed information.



Indicates reference to detailed information operation manual.

### CFxx:x

“CF” stands for a CONFIG parameter. The two digits after CF indicate the CONFIG parameter number. The value after the colon indicates the selected setting.

### SHIFT+key name

Indicates an operation that requires you to press a key while holding down the SHIFT key.

### Memo

Indicates useful information.

# Contents

About the PWX750ML Manuals .....	2
Checking the Package Contents .....	2
Product Overview .....	3
Safety Precautions .....	4
Precautions Concerning Installation Location .....	4
Notations Used in This Manual .....	4
Search by Topic.....	7
Component Names.....	8

## 1 Preparation

Connecting the Power Cord .....	12
Turning the Power On.....	13
Turning the POWER switch on .....	13
Turning the POWER switch Off.....	14
Rack Mounting.....	14
Load Considerations .....	15
Load Cables.....	17
Output Terminal Insulation.....	18
When the output terminal is not grounded (floating) .....	18
When the output terminal is grounded .....	19
Connecting to the Output Terminals .....	20
Sensing .....	22
Local sensing .....	23
Remote sensing .....	23

## 2 Basic Functions

Measured Value Display and Setting Display ..	26
Panel Operations .....	28
Output Operations.....	29
Operation Overview .....	30
CV Power Supply and CC Power Supply .....	31
Using the PWX750ML as a CV or CC Power Supply .....	33
Protection Functions and Alarms .....	34
Alarm occurrence and clearing alarms.....	34
Protection function activation .....	35
CONFIG Settings .....	41
CONFIG parameter details .....	44
Preset Memory Function .....	54
Saving settings to preset memory.....	54
Recalling preset memory entries.....	55
Locking Panel Operations (Key lock).....	56
Bleeder On/Off Feature.....	57
Switching from Remote Mode to Local Mode ..	58
Factory Default Settings (Initialization) .....	58

## 3 External Control

Overview.....	62
About the J1 Connector.....	62
Notes for Connecting External Voltage (Vext) .	64
Controlling the Output Voltage.....	66
Control using an external voltage (Vext)...	66
Control using an external resistance (Rext)....	67
Controlling the Output Current.....	68
Control using an external voltage (Vext)...	68
Control using an external resistance (Rext)....	69
Controlling the Output On and Off States .....	70
Controlling Output Shutdown.....	72
Controlling the Clearing of Alarms.....	73
External Monitoring.....	74

## 4 Parallel/Series Operation

Master-Slave Parallel Operation.....	78
Features of the PWX750ML during master-slave parallel operation.....	78
Connection (master-slave parallel operation) .	80
Settings (master-slave parallel operation) ..	82
Starting master-slave parallel operation ..	83
Series Operation.....	84
Features of the PWX750ML during series operation.....	84
Connection (series operation).....	86
Settings (series operation).....	87
Starting series operation.....	87

## 5 Maintenance

Calibration.....	90
Calibration overview.....	90
Calibration procedure.....	91

## 6 Specifications

## 7 Factory Option

Isolated Analog Interface .....	104
Isolated Analog Interface Connector.....	105
Setup and Operation.....	106
Specifications.....	107

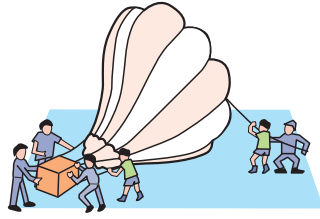
# Appendix

A	Options.....	110
B	Troubleshooting.....	112



# Search by Topic

## Preparation



- I want to check the accessories. → See “Checking the Package Contents” or the included packing list. p.2

---

- The installation space is limited, so I want to check the installation conditions. → See the included “Safety Precautions” document, or the electronic version of the document on the CD-ROM. –

---

- How do I connect the AC power supply? → “Connecting the Power Cord” p.12

---

- What kind of load cables should I use? → “Load Cables” p.17

---

- How do I ensure stable voltage when the cables connected to the load are long (the distance to the load is long)? → “Sensing” p.22

---

- How do I rack mount the PWX750ML? → “Rack Mounting” p.14  
What kind of parts are needed?

## Setup



- How do I use remote sensing to stabilize the PWX750ML? → “Sensing” p.22

---

- How do I set the protection functions to prevent damage to the load? → “Protection Functions and Alarms” p.34

---

- After a protection function has been activated, how do I restart tests automatically when the cause of the alarm is fixed? → “Alarm occurrence and clearing alarms” p.34

---

- How do I set the communication conditions for remote control? → See the Communication Interface Manual on the CD-ROM. –

---

- How do I check the settings in preset memory? → “Recalling preset memory entries” p.55

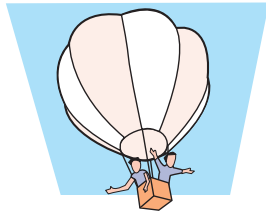
---

- How do I reset the PWX750ML to its factory default settings? → “Factory Default Settings (Initialization)” p.58

---

- How do I use the multichannel (VMCB) supply system? → See the Communication Interface Manual on the CD-ROM. –

## Operation



- How do I use the PWX750ML as a constant voltage power supply (CV mode)? → “Using the PWX750ML as a CV or CC Power Supply” p.33

---

- How do I use the PWX750ML as a constant current power supply (CC mode)?

---

- How do I operate the PWX750ML at a specific current? How do I save current values to the preset memory? → “Preset Memory Function” p.54

---

- How do I control the output voltage with an external DC voltage? → “Overview” p.62

---

- How do I monitor the output voltage and output current? → “External Monitoring” p.74

---

- How do I use parallel operation to increase the current capacity? → “Master-Slave Parallel Operation” p.78

---

- How do I prevent the settings from being changed? → “Locking Panel Operations (Key lock)” p.56

## Maintenance



- How do I clean the PWX750ML? → See the included “Safety Precautions” document, or the electronic version of the document on the CD-ROM. –

---

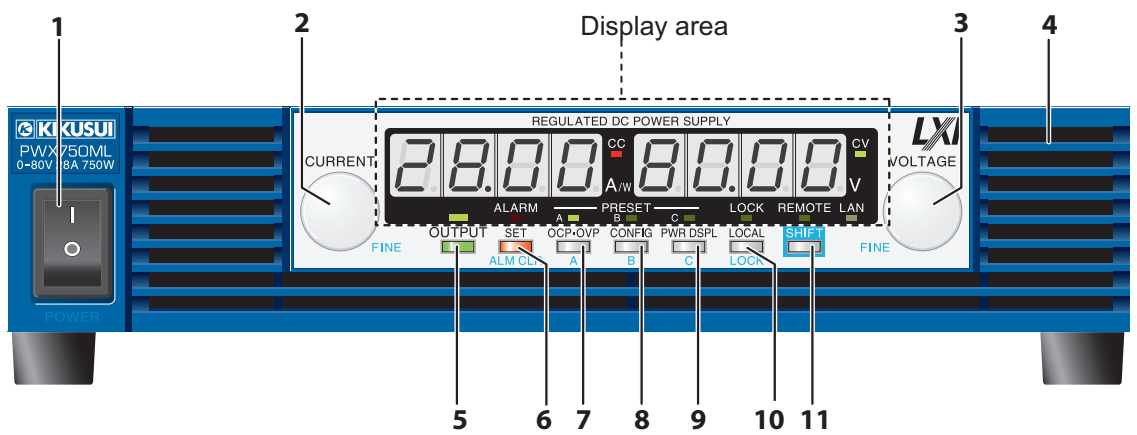
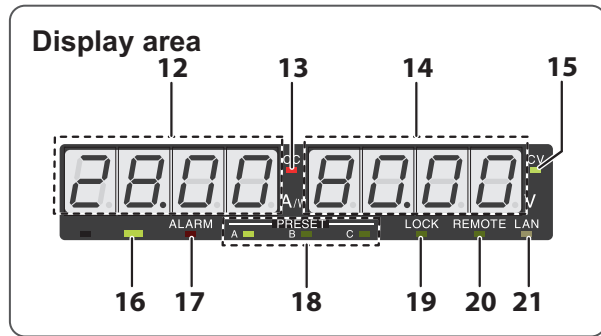
- How do I calibrate the PWX750ML? → “Calibration” p.90

## Troubleshooting


See “Troubleshooting” on page 112

# Component Names

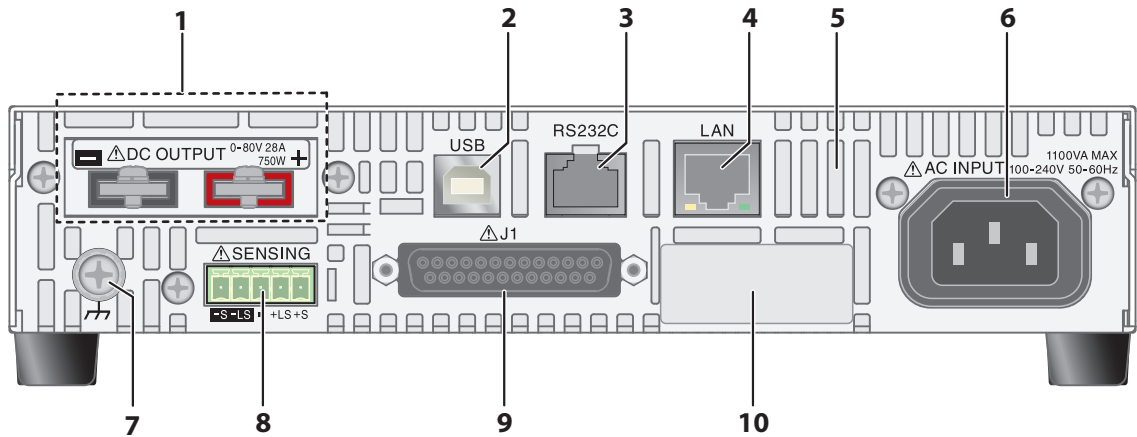
## Front Panel






No.	Name	Function	
1	POWER switch	Flip the switch to the ( I ) side to turn the power on. Flip it to the ( O ) side to turn the power off.	<i>p.13</i>
2	CURRENT knob	Used to set the current value or select a parameter number in the CONFIG settings.	<i>p.28, p.41</i>
	FINE	Used to make fine current value adjustments.	<i>p.28</i>
3	VOLTAGE knob	Used to set the voltage value or change the value of a CONFIG parameter.	<i>p.28, p.41</i>
	FINE	Used to make fine voltage value adjustments.	<i>p.28</i>
4	Air inlet (louver)	Air inlet for cooling the inside of the PWX750ML.	–
5	OUTPUT key	Used to turn output on and off.	<i>p.29</i>
6	SET key	Used to set and confirm the output voltage and output current (the key has an LED).	<i>p.26</i>
	ALM CLR key	Used to release protection functions that have been activated (the key has an LED).	<i>p.35</i>
7	OCP • OVP keys	Used to set and display the overcurrent protection (OCP), overvoltage protection (OVP), undervoltage limit (UVL) trip points (the key has an LED).	<i>p.36</i>
	A	Used to recall and save the value of preset memory A (the key has an LED).	<i>p.54</i>
8	CONFIG key	Used to configure the various operating conditions (the key has an LED).	<i>p.41</i>
	B	Used to recall and save the value of preset memory B (the key has an LED).	<i>p.54</i>
9	PWR DSPL key	Used to display the output power on the ammeter (the key has an LED).	<i>p.26</i>
	C	Used to recall and save the value of preset memory C (the key has an LED).	<i>p.54</i>
10	LOCAL key	Used to switch between local mode and remote mode (the key has an LED).	<i>p.58</i>
	LOCK key	Used to lock the operation of all keys other than the OUTPUT key (the key has an LED).	<i>p.56</i>
11	SHIFT key	Used to enable the functions that are written in blue characters below the key.	–
12	Ammeter	Displays the current, power, or the parameter number of a CONFIG parameter.	<i>p.26, p.41</i>
13	CC LED	Lights in red during constant current mode.	<i>p.33</i>
14	Voltmeter	Displays the voltage, the value of a CONFIG parameter, or the cause of an alarm.	<i>p.26, p.34, p.41</i>
15	CV LED	Lights in green during constant voltage mode.	<i>p.33</i>
16	OUTPUT LED	Lights in green when output is turned on. Blinks orange when output is on and a protection function has been activated.	<i>p.29, p.34</i>
17	ALARM LED	Lights in red when a protection function has been activated, However, does not light when a undervoltage limit (UVL) protection has been activated, Blinks red when the power limit (POWER LIMIT) has been activated.	<i>p.34</i>
18	PRESET LED	A: Lights in green when the memory A values are being recalled or saved. B: Lights in green when the memory B values are being recalled or saved. C: Lights in green when the memory C values are being recalled or saved.	<i>p.54</i>
19	LOCK LED	Lights in green when the keys are locked.	<i>p.56</i>
20	REMOTE LED	Lights in green during remote control.	–
21	LAN LED	Lights and blinks when the LAN interface is in use.	
		<ul style="list-style-type: none"> <li>• No fault status: Lights in green.</li> <li>• Fault status: Lights in red.</li> <li>• Standby status: Lights in orange.</li> <li>• WEB identify status: Blinks green.</li> </ul>	–

## Rear Panel



No.	Name	Function	See
1	DC OUTPUT	Output connector	<a href="#">p.20</a>
2	USB	USB port for controlling the PWX750ML remotely	 Interface Manual
3	RS232C	RS232C port for controlling the PWX750ML remotely	
4	LAN	Ethernet port for controlling the PWX750ML remotely	
5	Air outlet	Air outlet for cooling the inside of the PWX750ML	-
6	AC INPUT	AC inlet	<a href="#">p.12</a>
7	Chassis terminal	Connector for grounding the output	-
8	Sensing terminal connectors	Terminals to connect the sensing cables	<a href="#">p.22</a>
9	J1	External control connector	<a href="#">p.62</a> , <a href="#">p.77</a>
10	Option slot	Slot for the isolated analog interface option (factory option)	<a href="#">p.103</a>



# 1

---

## Preparation

This chapter describes how to turn on the PWX750ML, what kind of load cables to use, and how to connect cables to the output connectors.

For information about installing and moving this product, see “Precautions Concerning Installation Location” and “Precautions to Be Taken When Moving the Product” in the Safety information manual.

When using or storing this product, be sure to observe the temperature and humidity ranges. For environmental conditions, see General Specifications (p.100).

# Connecting the Power Cord



## WARNING

### Risk of electric shock.

- This product is a piece of equipment that conforms to IEC Safety Class I (equipment that has a protective conductor terminal). Be sure to earth ground the product to prevent electric shock.
- The product is grounded through the power cord ground wire. Connect the protective conductor terminal to earth ground.

## NOTE

- Use the supplied power cord to connect to the AC line. If the supplied power cord cannot be used because the rated voltage or the plug shape is incompatible, have a qualified engineer replace it with an appropriate power cord that is 3 m or less in length. If obtaining a power cord is difficult, contact your Kikusui agent or distributor.
- The power cord with a plug can be used to disconnect the PWX750ML from the AC power line in an emergency. Connect the plug to an easily accessible power outlet so that the plug can be removed from the outlet at any time. Be sure to provide adequate clearance around the power outlet.
- Do not use the supplied power cord for other devices.

This product is a piece of equipment that conforms to IEC Overvoltage Category II (equipment that consumes energy supplied from a fixed installation).

## 1 Check that the AC power line meets the nominal input rating of the product.

The product can receive a nominal line voltage in the range of 100 Vac to 240 Vac at 50 Hz or 60 Hz.

## 2 Check that the POWER switch is turned off.

## 3 Connect the power cord to the AC inlet on the rear panel.

## 4 Insert the power plug into a grounded outlet.

# Turning the Power On

## Turning the POWER switch on



**Risk of electric shock. Regardless of whether load cables are connected to the output terminals, be sure to attach the OUTPUT terminal cover before turning the POWER switch on.**



You can use the CONFIG settings to set how the PWX750ML starts when you turn the POWER switch on. Depending on the setting, the output may be turned on automatically when the POWER switch is turned on. In case that you connect a load without setting OVP and OCP to the appropriate values, the load may be damaged if output automatically turns on at the PWX750ML power-on.

See p.58

When you turn the POWER switch on for the first time after purchase, the PWX750ML starts with its factory default settings. Subsequent times that you turn the PWX750ML on, it starts with the panel settings (excluding the output on/off setting) that were in use immediately before the POWER switch was turned off.

See p.45

You can use the CONFIG settings (CF02) to select how the PWX750ML starts when the POWER switch is turned on.

See p.21

### 1 Check that the power cord is connected correctly.

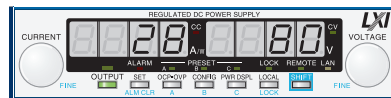
### 2 Check that the OUTPUT terminal cover is attached.

When the product is shipped from the factory, the OUTPUT terminal cover is not attached.

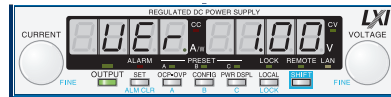
### 3 Turn the POWER switch on (I).

All the LEDs light, and then the voltmeter and the ammeter display the following sequence of information: the rated voltage and rated current, the firmware version number, and then the build number. Each item is displayed for approximately 1 second.

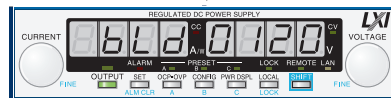
After a few seconds, the PWX750ML enters the operation standby state (the output value is displayed).



Rated voltage and rated current display  
(The PWX750ML is being used in this example.)



Firmware version display  
(Version 1.00 in this example)



Build number display  
(Build number BLD 0120 in this example.)

#### ■ Inrush current

When the POWER switch is turned on, an inrush current of up to 70 A flows. Check that sufficient current capacity is available in the AC power line or the switchboard, particularly if you are using multiple PWX750ML and turning on their POWER switches simultaneously.

## Turning the POWER switch Off

Flip the POWER switch to the ( O ) side to turn the PWX750ML off.

The PWX750ML saves the panel settings (except the output on/off setting) that were in use immediately before the POWER switch was turned off.

See p.45

You can use the CONFIG settings (CF02) to select how the PWX750ML starts when the POWER switch is turned on.

If the POWER switch is turned off immediately after the settings have been changed, the last settings may not be stored.

**CAUTION**

After you turn the POWER switch off, wait at least 10 seconds after the panel display turns off before you turn the POWER switch back on. Repeatedly turning the POWER switch on and off at short intervals can cause damage to the inrush current limiter. Furthermore, this will shorten the service life of the POWER switch and the internal input fuse.

## Rack Mounting

See p.110

You can mount one or two PWX750MLs side by side to a rack. You can use brackets or slide rails to mount the PWX750ML to a rack.

Remove the rubber feet before you mount the PWX750ML to a rack.

If you are mounting two PWX750MLs side by side, install the optional support board to support the two PWX750MLs.

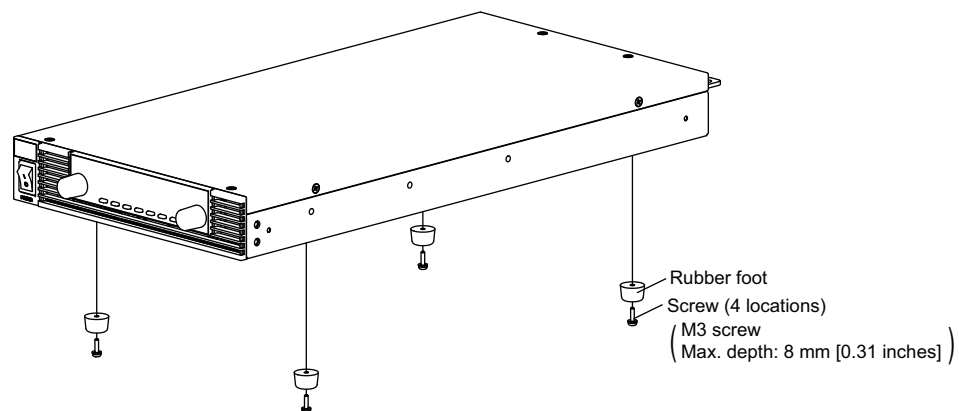
Attach the optional support angles (KRB1-PWX SUPPORT ANGLE) to support the PWX-750ML.

We recommend that you keep all pieces that you have removed from the PWX750ML. You will need these pieces if you remove the PWX750ML from the rack.

If you remove the PWX750ML from the rack, re-attach the original rubber feet.

When using several PWX750ML power supplies together, such as for master-slave parallel operation or series operation, mount them to a rack before use.

You can mount the PWX750ML to the Kikusui KRC series and KRO series racks.



### Removing the rubber feet

Loosen the screws to remove the rubber feet (in four locations).

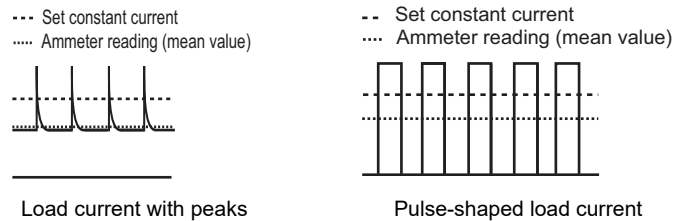
# Load Considerations

Note that the output will become unstable if the following types of loads are connected.

## Loads with peak current or pulse-shaped current

The PWX750ML only indicates mean values. Even when the indicated value is less than or equal to the set constant current, the peak values may exceed the set constant current. If this happens, the PWX750ML is instantaneously put into constant-current mode, and the output voltage drops.

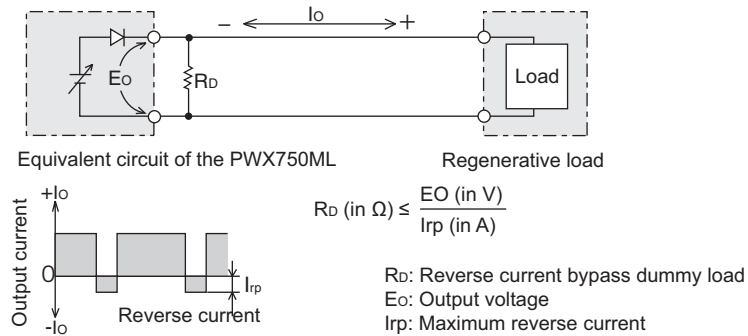
For these types of loads, you must increase the set constant current or increase the current capacity.



## Loads that generate reverse current to the power supply

The PWX750ML series cannot absorb reverse current from the load. Therefore, if a regenerative load (such as an inverter, converter, or transformer) is connected, the output voltage increases and becomes unstable. This can cause a malfunction.

For these types of loads, connect a resistor ( $R_D$ ) as shown in the following figure to bypass the reverse current. However, the amount of current to the load decreases by  $I_{rp}$ .



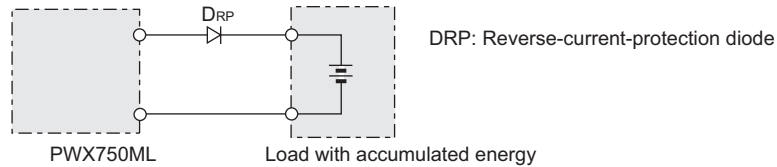
Use a resistor with sufficient rated power for  $R_D$ . If a resistor with insufficient rated power for the circuit is used, resistor  $R_D$  will burn out.

### Loads with accumulated energy

Connecting a load with accumulated energy, such as a battery, to the PWX750ML may cause current to flow from the load to the internal circuit of the PWX750ML. This current may damage the PWX750ML or reduce the life of the load.

For this type of load, connect a reverse-current-prevention diode (DRP) between the PWX-750ML and the load in series as shown in the following figure.

This cannot be used in conjunction with remote sensing.



- 
- CAUTION**
- To protect the load and the PWX750ML, use a DRP that conforms to the following specifications.
    - Reverse voltage withstand capacity:
      - At least twice the rated output voltage of the PWX750ML.
    - Forward current capacity:
      - Three to ten times the rated output current of the PWX750ML.
    - A diode with small loss.
  - Be sure to take into account the heat generated by DRP. DRP will burn out with inadequate heat dissipation.
-



# Load Cables



## Risk of fire.

- Use load cables whose capacity is adequate for the PWX750ML's rated output current.
- The output connector and its surrounding area become hot. Use cables whose covers have heat resistance at 85 °C and higher.

## Risk of electric shock.

- Use load cables whose rated voltage meets or exceeds the PWX750ML's isolation voltage.

## ■ The cables' allowable current depends on the insulation's maximum allowable temperature.

A cable's temperature is determined by the resistive loss based on the current, the ambient temperature, and the cable's external thermal resistance. The following table shows the current capacity of heat-resistant vinyl wires that have a maximum allowable temperature of 60°C, assuming that a wire is stretched out horizontally in air in an ambient temperature of 30°C. The current capacity must be reduced under certain conditions, such as when vinyl cables that have a low heat resistance are used, when the ambient temperature is 30 °C or greater, or when cables are bundled together and little heat is radiated.

Nominal cross-sectional area [mm <sup>2</sup> ]	AWG (reference cross-sectional area) [mm <sup>2</sup> ]	Allowable current <sup>1</sup> [A] (Ta = 30 °C)	Kikusui-recommended current [A]
2	14 (2.08)	27	10
3.5	12 (3.31)	37	-
5.5	10 (5.26)	49	20
8	8 (8.37)	61	30
14	6 (13.3)	88	50
22	4 (21.15)	115	80
30	2 (33.62)	139	-
38	1 (42.41)	162	100
50	1/0 (53.49)	190	-
60	2/0 (67.43)	217	-
80	3/0 (85.01)	257	200
100	4/0 (107.2)	298	-
125	-	344	-
150	-	395	300
200	-	469	-

1 Excerpt from Japanese laws related to electrical equipment.

## ■ Taking measures against noise

When connecting wires that have the same heat resistance, separating the wires as much as possible to increase heat radiation enables a greater amount of current to flow. However, wiring the + (positive) and - (negative) output wires of the load cable side by side or bundling them together is more effective against unwanted noise. The Kikusui-recommended currents shown in the above table are allowable currents that have been reduced in consideration of the potential bundling of load cables. Use these values as a guideline when connecting load cables.

## ■ Limitations of the remote sensing function

All wires have resistance. As the wire becomes longer or the current becomes larger, the voltage drop in the wire becomes greater. This results in a smaller voltage being applied at the load end. The PWX750ML has a sensing function that compensates for this voltage drop up to approximately 4 V for a single line. If the voltage drop exceeds this level, use wires that have a greater cross-sectional area.

# Output Terminal Insulation



**WARNING** Risk of electric shock. For safety reasons, even if the output terminal is grounded, make sure that the insulation capacity of the output terminal (including the sensing terminal) is greater than or equal to the isolation voltage of the PWX750ML ( $\pm 250$  Vmax).

If you cannot obtain a cable with sufficient rated voltage, secure adequate withstand voltage by passing the cable through an insulation tube with a withstand voltage greater than the isolation voltage of the PWX750ML.



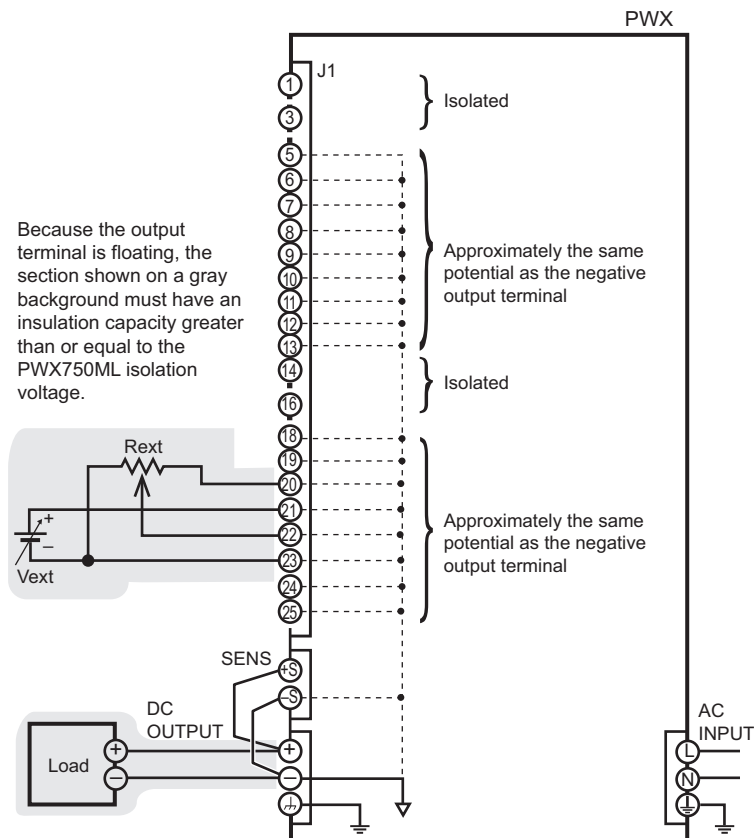
**CAUTION** The signal cable may burn out. If the PWX750ML is to be controlled through an external voltage (Vext), do not ground the external voltage (leave it floating).

The cable and load that are connected to the output terminal (including the sensing terminal) must have an insulation capacity that is greater than or equal to the isolation voltage of the PWX750ML with respect to the chassis. Isolation voltage indicates the maximum allowed voltage that appears across the output terminal of the power supply unit and the protective conductor terminal (chassis terminal).

## When the output terminal is not grounded (floating)

The output terminal of the PWX750ML is isolated from the protective conductor terminal. If you connect the GND wire of the power cord to the ground terminal of the switchboard, the chassis of the PWX750ML is set to ground potential.

Pins 5 to 13 (for external control and parallel operation) and 18 to 25 (for external control and output monitoring) of the rear panel J1 connector are at approximately the same electric potential as the PWX750ML's negative output terminal. Cables and devices that are connected to these pins must have an insulation capacity greater than or equal to the isolation voltage of the PWX750ML.

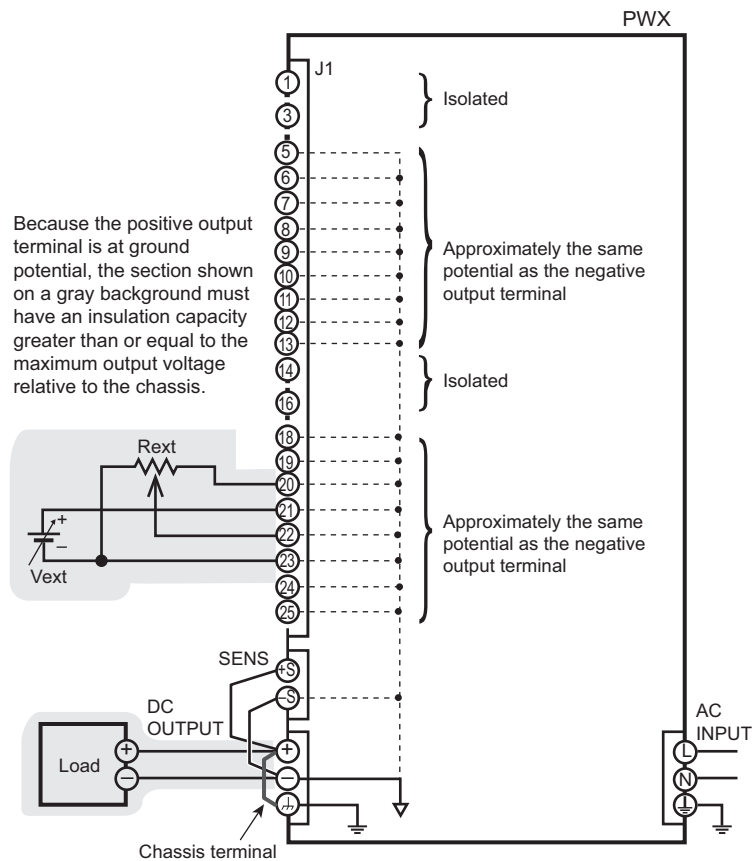


## When the output terminal is grounded

If the positive output terminal is connected to the chassis terminal, the positive output terminal is at ground potential. The cable and load that are connected to the output terminal (including the sensing terminal) will only require an insulation capacity that is greater than or equal to the maximum output voltage of the PWX750ML with respect to the chassis.

The same holds true when the negative terminal is connected to the chassis terminal. The cable and load require an insulation capacity that is greater than or equal to the maximum output voltage of the PWX750ML.

For safety reasons, connect one of the output terminals to the chassis terminal unless your application requires the output terminals to be floating.

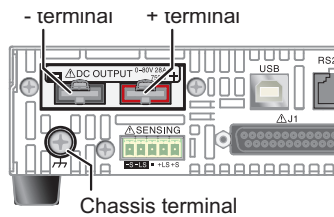


# Connecting to the Output Terminals



**Risk of electric shock.**

- Turn the **POWER** switch off before you touch the **OUTPUT** terminals.
- Even if you turn the output off or turn the **POWER** switch off, if the bleeder on/off setting (CF11) is set to “off,” the voltage that was present when the output was on will remain at the output terminals. Set the bleeder on/off setting to “on” before you touch the output terminals.
- Regardless of whether load cables are connected to the output terminals, be sure to attach the **OUTPUT** terminal cover before turning the **POWER** switch on.



Tightening torque of output terminal connection screws

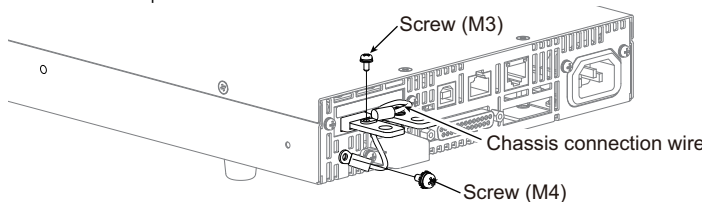
	Tightening torque [N·m]
M3	0.58
M4	1.33
M6	3.00

## 1 Turn the **POWER** switch off.

Check that there is no voltage across the output terminals.

## 2 Connect one end of the included chassis connection wire to the chassis terminal, and then connect the other end of the wire to the negative or positive output terminal.

Use the screw that is attached to the PWX750ML to connect the wire to the chassis terminal. Use the screw that is attached to the output terminal to connect the wire to the output terminal.



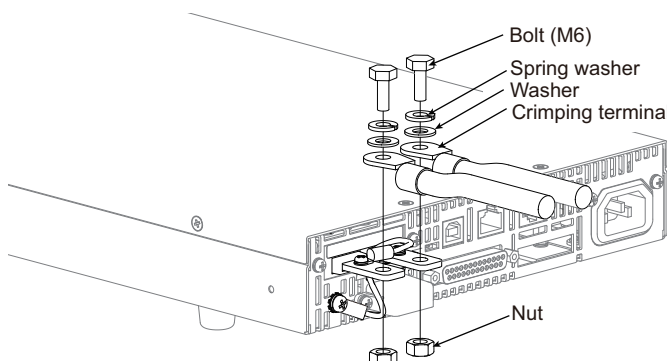
Use an M3 screw and an M4 screw to connect the wire.

## 3 Attach crimping terminals to the load cables.

The output terminals have bolt holes (M6) for connecting the load cables. Use crimping terminals that are designed for M6 bolts.

## 4 Use the included bolt set to connect the load cables to the output terminals.

Connect the positive cable to the positive output terminal and the negative cable to the negative output terminal.



Use the M6 bolt set to connect the cables.

## Attaching the OUTPUT terminal cover

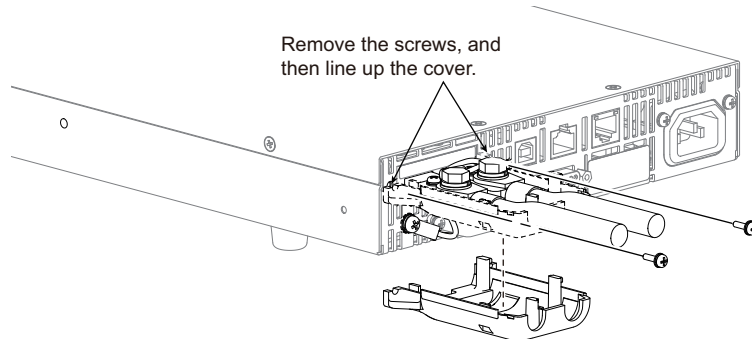
- 1 Remove the screw that is attached next to the output terminals on the PWX750ML.**

Use this screw to attach the OUTPUT terminal cover.

**★ Memo**

Both the top and bottom of the OUTPUT terminal cover are the same shape.

- 2 Place the bottom half of the OUTPUT terminal cover underneath the load cables connected to the output terminals.**



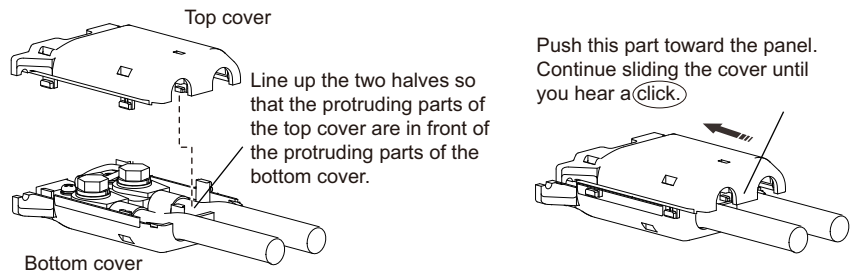
- 3 Align the hooks of the top half of the OUTPUT terminal cover with the bottom half of the OUTPUT terminal cover.**

- 4 Pushing the top half of the OUTPUT terminal cover toward the rear panel, slide the top half of the OUTPUT terminal cover onto the bottom half.**

Continue sliding the cover until you hear a click.

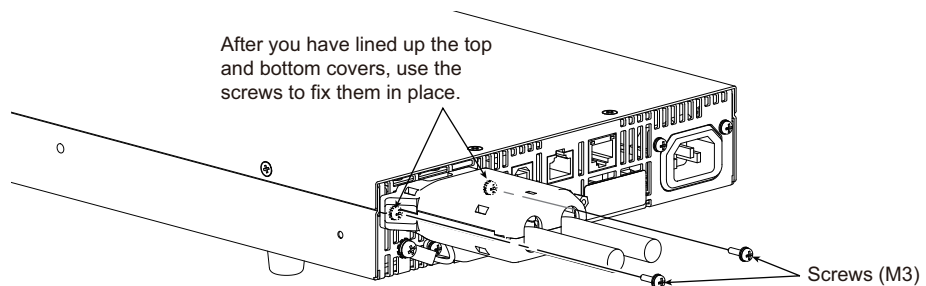
**★ Memo**

It is easier to slide the OUTPUT terminal cover in place if you make the load cables perpendicular with the PWX750ML.



- 5 Push the OUTPUT terminal cover against the rear panel, and then use screws to fix the cover in place.**

Make sure that both screws are securely fastened.

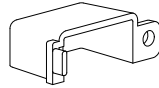


# Sensing

When the PWX750ML is shipped from the factory, terminal cover and connector are attached to the sensing terminals. For safety reasons, when not using the sensing terminals, be sure to attach to terminal cover.

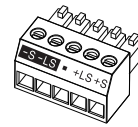
If they are damaged or lost, contact your Kikusui agent or distributor.

Terminal cover



P1-000-109

Connector



84-61-7305

## Connecting the sensing cables

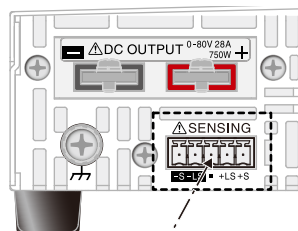


**Risk of electric shock and damage to internal circuits.**

- Never wire the sensing terminals while the **POWER** switch is turned on.
- Use sensing cables whose rated voltage is higher than the PWX750ML's isolation voltage. Protect the uncovered sections of the shielded cable by using insulation tubes whose withstand voltage is greater than the PWX750ML's isolation voltage.
- The sensing terminals are at approximately the same electric potential as the negative output terminal. Insert the cables so that the wire strands do not touch the chassis when they stick out of the sensing terminal. Also, insert the cables so that the stripped wires do not stick out of the terminal.
- Even if you turn the output off or turn the **POWER** switch off, if the bleeder on/off setting (CF11) is set to OFF, the voltage that was present when the output was on will remain at the output terminals. Set the bleeder on/off setting to on before you touch the sensing terminals.
- Regardless of whether local sensing or remote sensing is used, be sure to attach the sensing terminal cover before turning the **POWER** switch on.

If the sensing cables come loose, the output voltage will rise several volts. To prevent voltage output exceeding the voltage setting, set an appropriate OVP trip point.

When you are finished with remote sensing, return the PWX750ML to local sensing mode.



Use this screw to fix the cables in place so that they do not come loose.

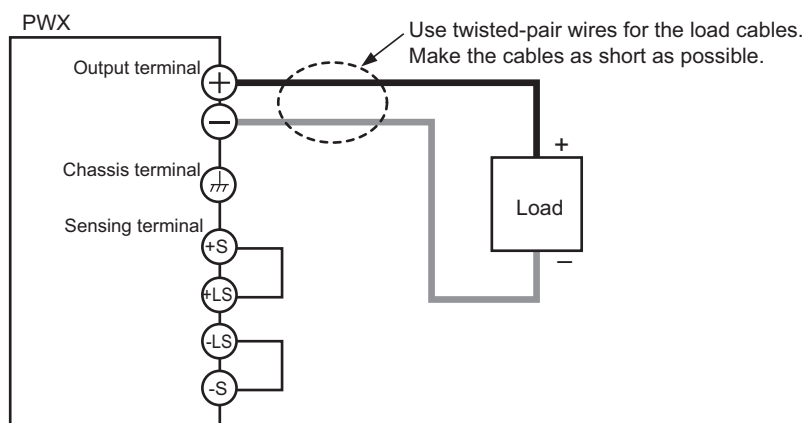
Strip 7 mm (0.28 inches) of the cable covering, and then insert the cable here.

Local sensing jumpers

Terminal	Function
-S	Negative remote sensing terminal
-LS	Negative local sensing terminal Connected to the negative output terminal
—	Not connected
+LS	Positive local sensing terminal Connected to the positive output terminal
+S	Positive remote sensing terminal
Sensing cable	AWG28 to AWG16

## Local sensing

By factory default, the PWX750ML is set to local sensing (the rear panel sensing connector is hard wired). The sensing point during local sensing is the output terminal. This method does not compensate for the voltage drop in the load cable, so use this method when the load current is small or when you do not need to consider the load effect voltage.



## Remote sensing

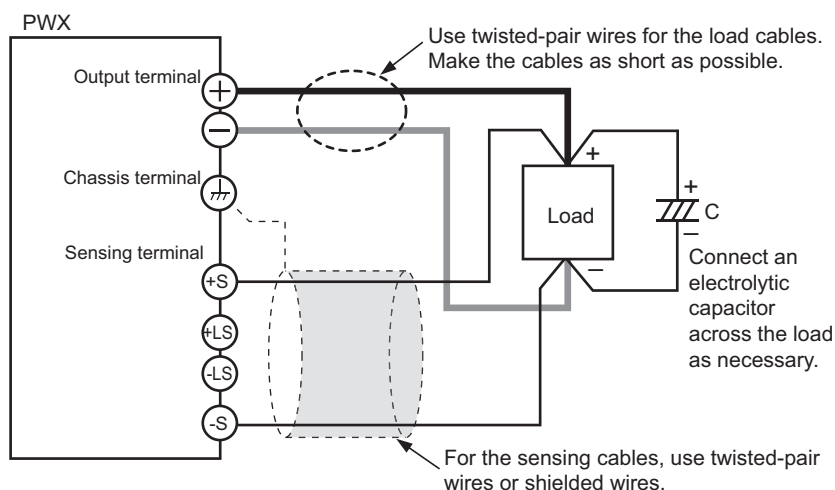
Remote sensing is a feature that stabilizes the output voltage across the load by reducing the influence of voltage drops and other effects caused by the load cable resistance.

See p.17

You can use the PWX750ML's remote sensing feature to compensate up to 4 V for a single line. Select a load cable that has sufficient current capacity to prevent the voltage drop in the load cable from exceeding the compensation voltage.

When you perform remote sensing, set the voltage of the sensing point (across the load) so that it does not exceed the rated output voltage. If you are performing remote sensing with the voltage close to the maximum output voltage, the output is limited by the maximum output voltage (105 % of the rated output voltage). Electrolytic capacitors may be required at the sensing point (across the load).

To reduce the effect of noise, use twisted-pair wires or 2-core shielded wires. When you are using shielded wires, connect the shield to the ground of the PWX750ML or the load.



- 1 Turn the **POWER** switch off.
- 2 Remove the sensing terminal cover and sensing connector from the rear panel sensing terminals.
- 3 Remove the local sensing jumpers from the sensing connector.
- 4 Remove 7 mm of the wire covering. Connect the negative sensing cable to **-S** and the positive sensing cable to **+S**.  
Use cable screws to securely fix the cables in place so that they do not come loose.
- 5 Firmly attach the sensing terminal cover and sensing connector to the rear panel sensing terminals.
- 6 Turn the **POWER** switch on.

#### ■ Electrolytic capacitor to connect across the load

If the wiring inductance component is large, the following symptoms may appear.

- The PWX750ML oscillates  
If the wires used to connect to the load are long, the wiring inductance and capacitance can cause phase shifting at a level that can not be ignored. This may lead to oscillation.
- The output fluctuates  
If the load current changes drastically in a pulse-shaped pattern, the output voltage may become large due to the wiring's inductance component.

You can reduce the inductance component by twisting the load cables, which stabilizes the voltage. However, if this does not rectify the problem, connect an electrolytic capacitor across the load.

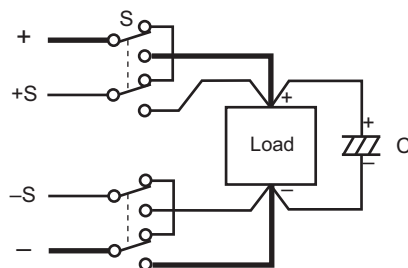
Electrolytic capacitor to use

Capacity: 0.1  $\mu\text{F}$  to a few hundred  $\mu\text{F}$

Withstand voltage: At least 120 % of the rated output voltage of the PWX750ML (96 V or more)

#### ■ If you are inserting a mechanical switch between the PWX750ML and the load

If you want to connect and disconnect the load using a mechanical switch that is inserted between the PWX750ML and the load, be sure to include switches in the sensing cables as shown in the following figure and turn on and off the load cable and the sensing cables simultaneously. Before you turn the mechanical switch on or off, be sure to turn the **OUTPUT** or the **POWER** switch off.







# 2

---

## Basic Functions

This chapter describes how to turn the output on and off and the basic operations that you can perform from the front panel.

# Measured Value Display and Setting Display

The voltage and current displays have the following two states.

- Measured value display
- Setting display

In addition to the voltmeter and ammeter, the PWX750ML can display the power, the set OVP or OCP, and the system configuration.

## NOTE

In firmware version 3.00, the character “S” that appears on the front panel display was changed.

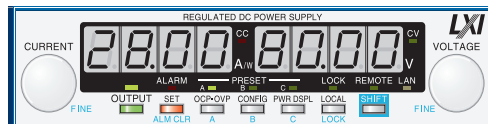


## Measured value display

The present output voltage and load current are displayed. In this situation, the SET key LED is off.

You can change the output voltage and output current in the measured value display.

See p.33

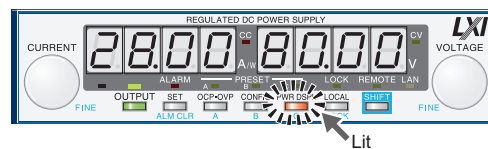


### ■ Power display

In the measured value display, press PWR DSPL to display the output power on the ammeter.

The output power is calculated from the measured output voltage and the measured output current.

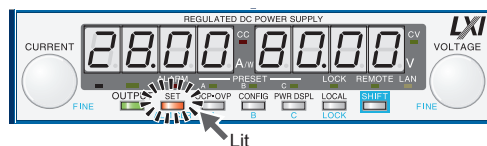
When the power is being displayed, the PWR DSPL key lights. Press PWR DSPL again to turn off the LED and return to the measured value display.



## Setting display

Press SET to light its LED and display the present output voltage and output current settings. Press SET again to return to the measured value display.

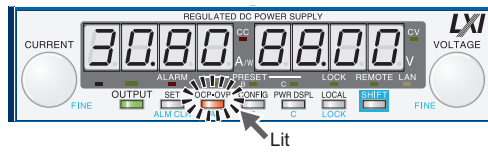
The SET key is disabled when the instrument is being controlled externally. The settings are not displayed even when you press the SET key.



When you recall a preset memory entry, the values stored in the preset memory entry are displayed on the panel.

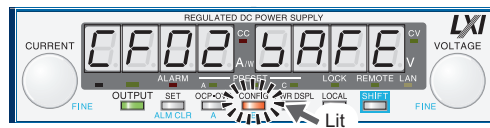
■ **Overvoltage protection and overcurrent protection setting display**

Press OCP•OVP to light its LED and display the present overcurrent protection and overvoltage protection settings.



■ **System configuration setting display**

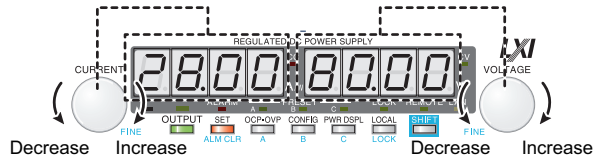
Press CONFIG to light its LED and display the present system configuration settings.



# Panel Operations

## Measured value display, setting display, and set OVP/OCP display

Turn the VOLTAGE knob to change the voltage. Turn the CURRENT knob to change the current.



Press SET to switch to the setting display, and then change the output voltage and output current while you view their actual settings.

You cannot set the output voltage to a value that is 95% of the OVP trip point or higher. You cannot set the output current to a value that is 95% of the OCP trip point or higher.

The displayed current or voltage may not change even if you turn the CURRENT or VOLTAGE knob. In this situation, the values are being changed at a finer resolution that which is being displayed. The display will change when the amount that you change the value by reaches the smallest display digit of the set voltage or current.

### ■ Fine adjustment

You can change the resolution of the VOLTAGE and CURRENT knobs.

Hold down SHIFT while you turn the VOLTAGE knob or CURRENT knob to make small changes to the value.

The following table shows the resolutions that can be specified. The specified resolution may not necessarily be applied to the actual output.

	Output Voltage	Output Current
Resolution	250 mV	100 mA
Using FINE, OUT OFF	10 mV	10 mA
Using FINE, OUT ON	1 mV	1 mA
When using a communication interface	1 mV	1 mA

See p.36

### ★ Memo

When you set a value, it is convenient to first use normal resolution to set the value roughly and then switch to fine resolution to set it precisely.

# Output Operations

The output turns on and off each time you press OUTPUT. When output is on, the OUTPUT LED in the display area lights. When the output is off, the OUTPUT LED in the display area turns off.

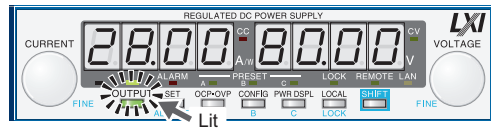
When the output is on, output is generated at the present set values.

If you change the settings while the output is on, the changes are applied immediately to the output. If the output is off, the setting display will appear (the SET key lights) as soon as you change the settings. Then, you can press OUTPUT to output using the new settings.

See p.47, p.70

You can use external control to turn the output on and off.

You can use the CONFIG settings to set the output-on startup state (CF12: prioritize CC or CV).



Output on

## Setting limits

See p.35, p.48, p.48

You can apply limits to the voltage and current settings.

## Output on or off when the PWX750ML turns on

In the factory default conditions, the output is off at power-on, but you can change this to on using a CONFIG setting (CF02: Forc).



**CAUTION**

Risk of damage to load.

If you want to turn on the output at power-on, be sure to set an appropriate OVP/OCP trip point for the connected load before turning off the POWER switch.

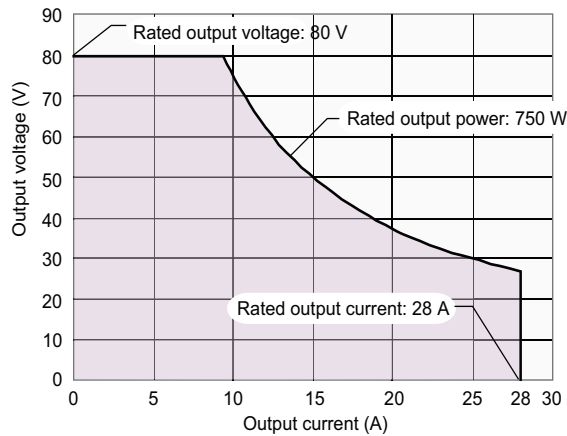
# Operation Overview

The PWX750ML is a constant voltage (CV)/constant current (CC) regulated DC power supply that can output a wide range of voltage and current within rated output power.

If you configure the settings so that “output voltage × output current” is less than or equal to the rated output power, the PWX750ML operates as a traditional constant-voltage (CV)/constant-current (CC) power supply.

If you configure the settings so that “output voltage × output current” is greater than the rated output power, the actual output is limited by the power limit (POWER LIMIT: approximately 105% of the rated output power), and the output voltage and output current change depending on the load value.

See p.39



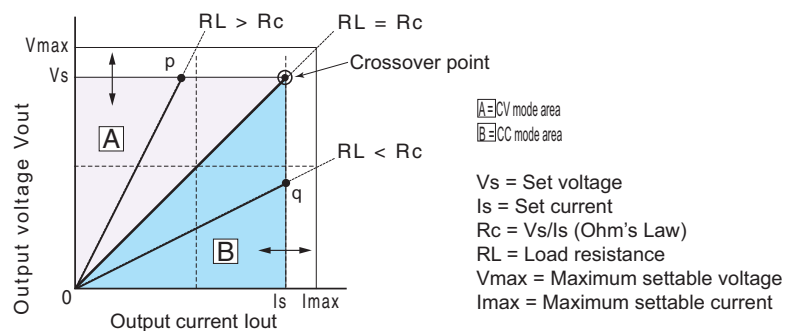
PWX750ML operating range

# CV Power Supply and CC Power Supply

The PWX750ML has features that enable it to function as a constant-voltage source and constant-current source even when the load is changed. The constant-voltage source operation is referred to as constant-voltage (CV) mode. The constant-current source operation is referred to as constant-current (CC) mode. The operation mode is determined by the following three values.

- The set output voltage ( $V_s$ )
- The set output current ( $I_s$ )
- The load resistance ( $R_L$ )

The operation modes are described below.



The above figure shows the PWX750ML operation modes. The load resistance is denoted as  $R_L$ . The resistance, which is denoted as  $R_c$ , is calculated from the set voltage and current ( $R_c = V_s/I_s$ ). The power supply is designed so that it operates in CV mode in area **A** and CC mode in area **B**. The boundary is the line defined by  $R_L = R_c$ . This line represents the load at which the output voltage and the set voltage are equal and the output current and the set current are equal. If load resistance  $R_L$  is greater than resistance  $R_c$ , the operating point is in area **A**, and the PWX750ML operates in CV mode (point p). In this case, the set current  $I_s$  equals to the current limit.

When operating in CV mode, the output voltage is maintained at the set voltage. Output current  $I$  is determined by the equation  $I = V_s/R_L$  and is a current that is less than current limit  $I_s$ . The actual current that flows is not necessarily equal to the specified value.

For loads in which transient peak current flows, current  $I_s$  must be set so that the peak value does not reach the current limit.

Conversely, if load resistance  $R_L$  is less than resistance  $R_c$ , the operating point is in area **B**, and the PWX750ML operates in CC mode (point q). In this case, set voltage  $V_s$  equals to the voltage limit.

When operating in CC mode, the output current is maintained at the set current. Output voltage  $V$  is determined by the equation  $V = I_s \times R_L$  and is a voltage that is less than voltage limit  $V_s$ . The actual voltage that is applied is not necessarily equal to the specified value.

## ■ Crossover point

The PWX750ML switches automatically between CV mode and CC mode according to the changes in the load. A crossover point is the point at which the mode switches.

For example, when operating in CV mode, if the load changes and the output current reaches the current limit, the PWX750ML automatically switches to CC mode to protect the load. Likewise, when operating in CC mode, if the output voltage reaches the voltage limit, the PWX750ML switches to CV mode.

### CV mode and CC mode operation example

This section uses a power supply with a rated output voltage of 100 V and a rated output current of 10 A as an example.

A load resistance ( $R_L$ ) of 8  $\Omega$  is connected to the output terminals of the power supply. The output voltage and output current are set to 30 V and 5 A, respectively. In this case,  $R_c = 30 \text{ V} / 5 \text{ A} = 6 \Omega$ . Because 8  $\Omega$  is greater than 6  $\Omega$  ( $R_L > R_c$ ), the power supply operates in CV mode. When you want to increase the voltage in CV mode, you can increase the voltage up to the voltage defined by the following equation:  $V_s = I_s \times R_L$ . Substituting the values, we obtain  $V_s = 5 \text{ A} \times 8 \Omega = 40 \text{ V}$ . If you try to increase the voltage above this point, the crossover point is reached, and the power supply automatically switches to CC mode. To maintain operations in CV mode, increase the current limit.

Next, a load resistance ( $R_L$ ) of 5  $\Omega$  is connected to the output terminals of the power supply. The output voltage and output current are set to 30 V and 5 A, respectively. In this case,  $R_c = 30 \text{ V} / 5 \text{ A} = 6 \Omega$ . Because 5  $\Omega$  is less than 6  $\Omega$  ( $R_L < R_c$ ), the power supply operates in CC mode. When you want to increase the current in CC mode, you can increase the current up to the current defined by the following equation:  $I_s = V_s / R_L$ . Substituting the values, we obtain  $I_s = 30 \text{ V} / 5 \Omega = 6 \text{ A}$ . If you try to increase the current above this point, the crossover point is reached, and the power supply automatically switches to CV mode. To maintain operations in CC mode, increase the voltage limit.



# Using the PWX750ML as a CV or CC Power Supply

When using the PMX750ML as a constant-voltage power supply, the set current is the limit to the current that can flow through the load.

When using the PMX750ML as a constant-current power supply, the set voltage is the limit to the voltage that can be applied to the load.

If the specified limit is reached, the PMX750ML automatically switches its operation mode. When the PMX750ML switches its operation mode, the lit LED in the display area (CV LED or CC LED) changes to indicate the switch.

 p.20

 p.28

 p.26

 p.47

**1 Turn the POWER switch off.**

**2 Connect the load to the output terminals.**

**3 Turn the POWER switch on.**

If the OUTPUT LED in the display area is lit, press OUTPUT to turn the output off.

**4 Press SET to change to the setting display.**

The SET key lights.

**5 Turn the VOLTAGE knob to set the voltage.**

Voltage range: 0 V to 84 V

**6 Turn the CURRENT knob to set the current.**

Current range: 0 A to 29.4 A

**7 Press OUTPUT to turn output on.**

The SET LED turns off, and the OUTPUT LED in the display area lights. The voltage and current are generated from the output terminals. When the PMX750ML is operating as a constant-voltage power supply, the CV LED in the display area lights. When the PMX750ML is operating as a constant-current power supply, the CC LED lights.

Even when the output is on, you can set the voltage and current by carrying out step 5 and step 6 while checking the actual output voltage or current.

You can set the voltage that is actually output while checking the power.

You can use the CONFIG settings to set the output-on startup state (CF12: prioritize CC or CV). Set this according to the operation mode that you are using. You can prevent overshoot from occurring when the output is turned on by prioritizing CV when using the PWX series as a constant-voltage power supply and by prioritizing CC when using the PWX series as a constant-current power supply.

When used as a slave device, CC is automatically prioritized. To use the PWX series as a standalone unit or master unit after using it as a slave unit, set the operation mode that you want to use. If you do not set the operation mode, CC will be prioritized.

When the output is turned on, the internal capacitors are charged. Depending on the set current, the PMX750ML may enter CC mode for an instant.

# Protection Functions and Alarms

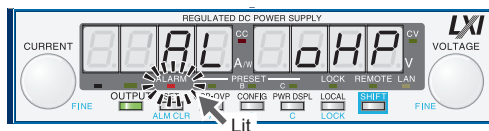
The PMX750ML is equipped with the following protection functions.

- Overvoltage protection (OVP)
- Overcurrent protection (OCP)
- Overheat protection (OHP)
- Incorrect sensing connection protection (SENSE)
- Low AC input protection (AC-FAIL)
- Power limit (POWER LIMIT)
- Overvoltage protection 2 (OVP2)
- Undervoltage limit (UVL)
- Fan failure protection (FAN)
- Shutdown (SD)
- Communication monitoring (WATCHDOG)

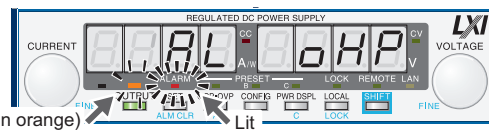
## Alarm occurrence and clearing alarms

### Alarm occurrence

When a protection function has been activated, the PMX750ML behaves as follows.



Alarm indication when OHP has been activated



Blinking (in orange)

Alarm indication when OHP has been activated with the output on

- The output turns off.
- The ALARM LED in the front panel display area lights to indicate that an alarm has occurred. The voltmeter indicates the cause of the alarm.
- The ALARM LED in the front panel display area blinks (only when the power limit has been activated).
- The OUTPUT LED in the front panel display area blinks (only when a protection function has been activated when the output is on).

If a protection function is activated when the output is on, the ALARM LED lights and the OUTPUT LED blinks in orange.

If the PWX750ML is set so that output turns on automatically after the problem that caused the alarm is fixed (CF03: Auto), the output is turned on and the OUTPUT LED lights automatically when the problem that caused the alarm is fixed.

If the PWX750ML is set so that output remains off even after the problem is fixed (CF03: SAFE), output remains off even after the problem that caused the alarm is fixed.

- The alarm signal is generated from pin 14 of the J1 connector (when the OVP/ OVP2/ OCP/ OHP/ FAN/ SEN/ AC-FAIL/ SD/ WATCHDOG has been activated).

#### NOTE

When a CONFIG parameter is being displayed, only the ALARM LED turns on; the cause of alarm is not displayed. To view the cause of the alarm, exit from the CONFIG parameter display.

## Clearing alarms

To clear alarms, (press ALM CLR (SHIFT+SET); (2) set pin 5 of the J1 connector to LOW (0 V to 0.5 V) or shorted; or (3) turn the PWX750ML off, fix the problem that caused the alarm, and then turn the PWX series on.

If overvoltage protection 2 (OVP2) and Shutdown (SD) has been activated, turn the PWX series off, fix the problem that caused the alarm, and then turn the PWX750ML on.

When the overheat protection (OHP), fan failure protection (FAN), or low AC input protection (AC-FAIL) protection function is activated, output is turned off. You can use the CONFIG settings to select how the PWX750ML will perform after the problem that caused the alarm is fixed. You can select to turn the output on automatically (CF03: Auto) or to leave the output off (CF03: SAFE).

This parameter is the same for the OHP, FAN, and AC-FAIL alarms. You cannot set this parameter separately for each protection function.

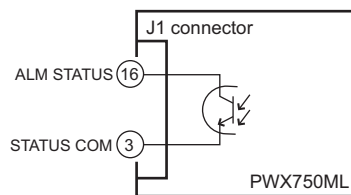
If an alarm still occurs even after you have corrected all the causes of alarms, the PWX750ML may be malfunctioning. Stop using it immediately, and contact your Kikusui agent or distributor.

For an explanation of the problems that cause the alarms, see the explanation of each protection function.

See p.45

## Alarm signal

The alarm signal is isolated from other terminals as it is through an open collector photocoupler.



Maximum voltage: 30 V  
Maximum current: 8 mA

## Protection function activation

### Setting limitation functions

See p.48

By factory default, the voltage setting limit is set to on (CF15: ON).

The maximum voltage that can be set is limited to about 95 % of the OVP trip point to prevent OVP activation due to mistaken operations.

If you enable the voltage setting limit when the voltage setting is higher than 95 % of the OVP trip point, the voltage setting is retained, but the OVP trip point is changed to 105 % of the voltage setting.

The voltage setting limit (CF15) on/ off state is synchronized to undervoltage limit (UVL).

See p.48

By factory default, the current setting limit is set to on (CF14: ON).

The maximum current that can be set is limited to about 95 % of the OCP trip point to prevent OCP activation due to mistaken operations.

If you enable the current setting limit when the current setting is higher than 95 % of the OCP trip point, the current setting is retained, but the OCP trip point is changed to 105 % of the current setting.

## Overvoltage protection (OVP), overvoltage protection 2 (OVP2), and overcurrent protection (OCP)

The overvoltage protection (OVP) function is activated under the following conditions.

- When the output terminal voltage exceeds the set voltage (OVP trip point).
- When the load or the PWX750ML is malfunctioning.

See p.34

The overvoltage protection 2 (OVP2) function is activated under the following conditions.

- When the output terminal voltage exceeds 120 % of the rated output voltage (when a voltage is being applied from an external source).
- When the load or the PWX750ML is malfunctioning.

If OVP2 is activated, turn the POWER switch off and on.



Alarm when OVP2 has been activated

The overcurrent protection function (OCP) is activated under the following conditions.

- When the output current exceeds the set current (OCP trip point).
- When the load or the PWX750ML is malfunctioning.

Set the OVP and OCP trip points to appropriate values. Immediately after you purchase the PWX750ML or immediately after a load is changed, you have to set the OVP and OCP trip points to values that are appropriate for the load.

The OVP2 trip point is fixed to 120 % of the rated output voltage.

### ■ Setting the OVP and OCP trip points and the detection time of OCP activation

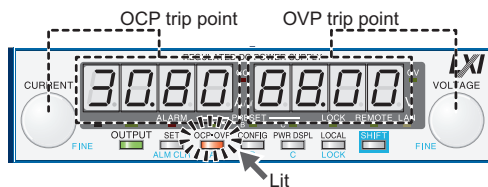
The PWX750ML OVP operates according to the output terminal voltage. If you want to activate the protection function according to the voltage across the load, take the voltage drop in the load cable into consideration when you set the OVP trip point.

You can use the CONFIG settings to limit the set OVP (CF15) and the set OCP (CF14).

You can use the CONFIG settings to set the detection time of the OCP activation (CF13)

See p.35, p.47

See p.47



Display example of the OVP and OCP trip point displays

#### 1 Press OCP•OVP.

The OCP•OVP key lights, and the OVP trip point and OCP trip point are displayed in the display area.

#### 2 While viewing the panel display, turn the VOLTAGE knob to set the OVP trip point or the CURRENT knob to set the OCP trip point.

OVP setting range: 8.00 V to 89.60 V

OCP setting range: 2.80 A to 31.36 A

#### 3 Press OCP•OVP twice to finalize the settings.

The OCP•OVP key turns off, and the PWX750ML returns to the measured value display

### ■ Checking OVP and OCP operation

The OVP and OCP functions are designed to protect the load.

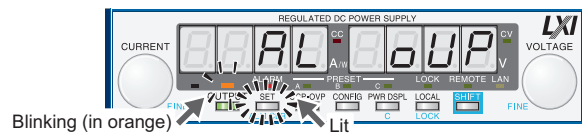
If you use the CONFIG settings to limit the voltage setting (CF15: ON), you will no longer be able to set the output voltage to a value that exceeds the OVP trip point. This means that you won't be able to check the operation of the OVP function.

If you use the CONFIG settings to limit the current setting (CF14: ON), you will no longer be able to set the output current to a value that exceeds the OCP trip point. This means that you won't be able to check the operation of the OCP function.

To check the operation of the OVP function, carry out the procedure below.

- 1 Check that the **OUTPUT LED** in the display area is turned off.
- 2 Set the output voltage to a value lower than the OVP trip point.
- 3 Press **OUTPUT** to turn output on.  
The OUTPUT LED lights.
- 4 **Slowly turn the VOLTAGE knob clockwise.**

When the output voltage exceeds the OVP trip point, the front panel display area's ALARM LED lights and the OUTPUT LED blinks to indicate that the OVP function has been activated.



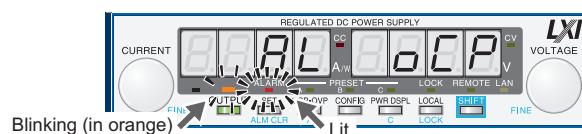
Display of the OVP activation alarm

- 5 Check that output has turned off.
- 6 Turn the **POWER** switch off.

To check the operation of the OCP function, carry out the procedure below.

- 1 **Short the output terminal.**
- 2 Turn the **POWER** switch on.
- 3 Check that the **OUTPUT LED** in the display area is turned off.
- 4 Set the output current to a value lower than the OCP trip point.
- 5 Press **OUTPUT** to turn output on.  
The OUTPUT LED lights.
- 6 **Slowly turn the CURRENT knob clockwise.**

When the output current exceeds the OCP trip point, the front panel display area's ALARM LED lights, and the OUTPUT LED blinks to indicate that the OCP function has been activated.



Display of the OCP activation alarm

- 7 Check that output has turned off.

If you do not change the output settings, the OVP or OCP function will be activated again.

## Undervoltage limit (UVL)

This protection function is activated when you attempt to set the output voltage to a value that is lower than the set undervoltage limit (the UVL trip point). In other words, it prevents you from setting the output voltage to a value lower than the set limit. This function does not turn the output off.

See p.35, p.47

You can use the CONFIG settings to limit the set UVL (CF15).

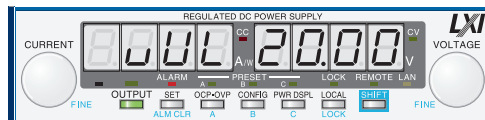
### ■ Setting the UVL trip point

#### 1 Press OCP•OVP.

The OCP•OVP key lights, and the OVP trip point and OCP trip point are displayed in the display area.

#### 2 Press OCP•OVP again.

The present UVL trip point is displayed.



Display example of the UVL setting

#### 3 While viewing the panel display, turn the VOLTAGE knob to set the UVL trip point.

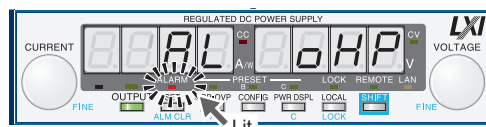
UVL setting range: 0 V to 84 V

#### 4 Press OCP•OVP to finalize the setting.

## Overheat protection (OHP)

This protection function is activated when the PWX750ML's internal temperature rises to an abnormal level.

- When the PWX750ML is used in an environment outside its operating ambient temperature range (0 °C to +50 °C [32 °F to 122 °F])
- When the PWX750ML is used with its air inlet and exhaust port blocked.
- When the fan motor has stopped.



Alarm indication when OHP has been activated

You can use the CONFIG settings to automatically clear the alarm status after the cause of the OHP is removed (CF03: AUTO).

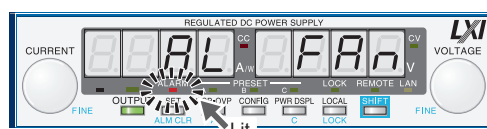
See p.45

If you do not fix the problem that caused the OHP to be activated, OHP will be activated again even if you restart the PWX750ML.

## Fan failure protection (FAN)

This function is activated when the number of fan rotations drops to an abnormal level.

You can use the CONFIG settings to automatically clear the alarm status after the cause of the FAN is removed (CF03: AUTO).

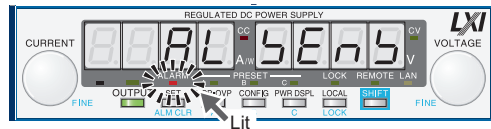


Alarm indication when fan failure protection has been activated

## Incorrect sensing connection protection (SENSE)

Incorrect sensing connection protection is activated when the sensing wires are not connected securely or when the wires are connected with the polarities reversed.

It is also activated when the sensing voltage exceeds the maximum compensation voltage. For the maximum sensing compensation voltage of this product, see chapter 6, "Specifications," (p.95).



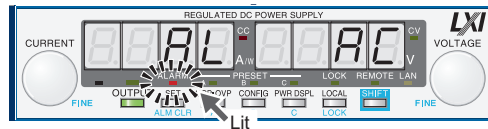
Alarm indication when incorrect sensing connection protection (SENSE) has been activated

## Low AC input protection (AC-FAIL)

This function is activated when a low AC input is detected.

To release the low AC input protection (AC-FAIL), turn the POWER switch off and then back on.

You can use the CONFIG settings to automatically clear the alarm status after the cause of the AC-FAIL is removed (CF03: AUTO).



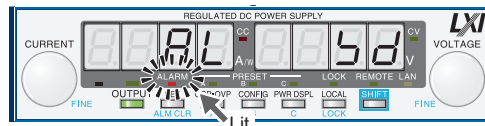
Alarm indication when low AC input protection (AC-FAIL) has been activated

## Shutdown (SD)

See p.72

Shutdown (SD) is not activated as a result of the PWX750ML detecting an error. It is a function that is used to turn the output off through the application of a signal to the rear-panel J1 connector when an abnormal condition occurs.

If SD is activated, turn the POWER switch off and on.



Alarm indication when the shutdown (SD) function has been activated

## Power limit (POWER LIMIT)

See p.30, p.34

This function changes the output voltage or output current according to the changes in the load resistance. This function limits the output power to a value that is approximately 105 % of the rated output power. This function does not turn the output off.

When the output limit function has been activated, the ALARM LED blinks. An alarm signal is not transmitted.

Power limit value (fixed): 787.5 W

## Communication monitoring (WATCHDOG)

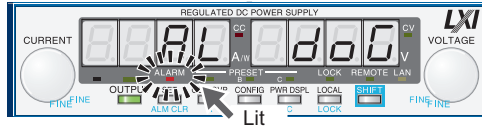
See p.48

The watchdog function monitors the SCPI command communication status.

Communication is assumed to have stopped if there is no communication within the time period specified by the communication monitoring timer setting (CF17).

This function operates regardless of whether the product is in remote or local (panel control) mode. When using local mode (panel control), set communication monitoring to off in the timer settings. When using remote mode, you can set the timer using a command (OUTP:PROT:WDOG).

You cannot stop communication monitoring with the \*RST, \*RCL, or \*CLS command. In the alarm state, turn off communication monitoring before clearing the alarm.



Alarm indication when the communication monitoring (WATCHDOG) has been activated



# CONFIG Settings

Use the CONFIG settings to set the PWX750ML system configuration. You can set and display the following parameters in the CONFIG settings. The CONFIG parameters are listed in a separate document (included with this manual).

Effects: ● indicates a parameter that may be affected when the panel settings are reset (CF00) or when a preset memory entry is loaded.

▼ indicates a parameter that may be affected when the master unit, the slave unit, or the number of units is changed (CF01).

■ indicates a parameter that may be affected when the LAN interface settings are reset (CF40: LCI/dEF).

In the “Note” column, “A” indicates a parameter that is applied immediately, “B” indicates a parameter that is applied when the PWX750ML is turned on, and “C” indicates a parameter that is applied when CF40 “APPL” is executed.

Parameter number, CF (CONFIG) + a two-digit number



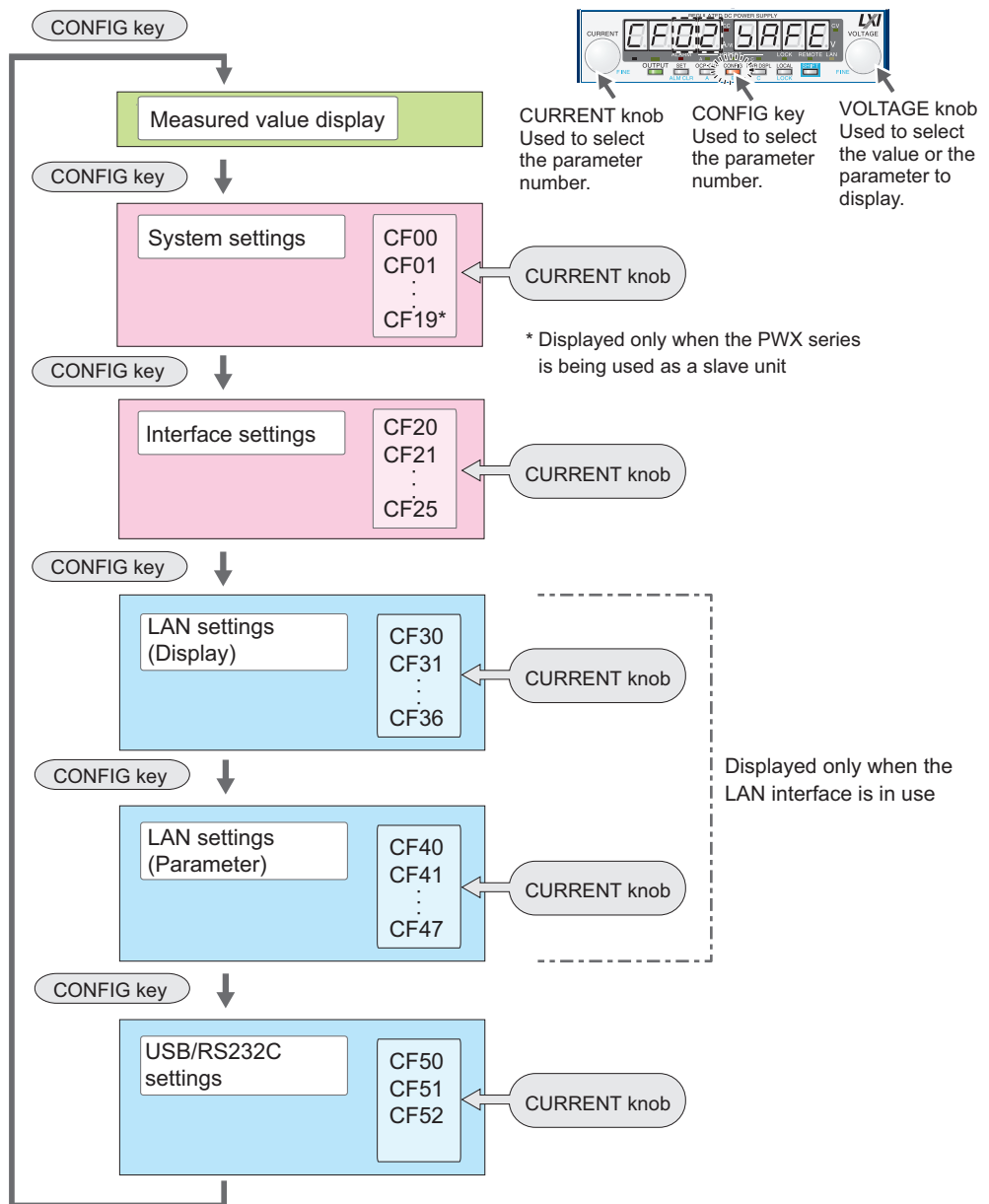
Setting display

CONFIG setting and display

Display switching	Parameter number	Setting or display description	Effect	Note
SYSTEM	CF00 <sup>1</sup>	Resets the panel settings	—	A
	CF01	Master-slave parallel operation parameter	▼	B
	CF02 <sup>1</sup>	Power-on status parameter	—	B
	CF03	Method for clearing OHP, FAN, and AC-FAIL alarms	—	B
	CF04 <sup>1</sup>	Memory content display parameter	—	A
	CF05 <sup>1</sup>	CC control using an Vext or Rext	●	A
	CF06 <sup>1</sup>	CV control using an Vext or Rext	●	A
	CF07 <sup>1</sup>	CV/CC control range parameter	—	A
	CF08	Range during voltage and current monitoring	—	A
	CF09 <sup>1</sup>	External control parameter for turning output on and off	●▼	A
	CF10 <sup>1</sup>	External control logic parameter for turning output on and off	▼	A
	CF11	Bleeder on/off parameter	—	A
	CF12 <sup>1</sup>	Output-on startup state parameter	▼	A
	CF13	Detection time of OCP activation	—	A
	CF14 <sup>1</sup>	Current setting limit	●▼	A
	CF15 <sup>1</sup>	Voltage setting limit	●▼	A
	CF16	Panel display brightness setting	—	A
	CF17	Communication monitor timer setting	—	A
	CF19 <sup>2</sup>	Current and power display on slave units for master-slave parallel operation	—	A
INTERFACE	CF20	LAN interface parameter	▼■ <sup>3</sup>	B
	CF21	Command language parameter	▼	B
	CF22	Emulation parameter during remote control	▼	B
	CF23	SCPI communication error display parameter	▼	A
	CF24	Multichannel (VMCB) domain number parameter	▼■ <sup>3</sup>	B or C
	CF25	Multichannel (VMCB) channel number	▼■ <sup>3</sup>	B or C
LAN <sup>4</sup>	CF30	IP address display (1)	▼	—
	CF31	IP address display (2)	▼	—
	CF32	IP address display (3)	▼	—
	CF33	IP address display (4)	▼	—
	CF34	MAC address display (1) and (2)	▼	—
	CF35	MAC address display (3) and (4)	▼	—
	CF36	MAC address display (5) and (6)	▼	—
	CF40	Resets (LCI/ DEF) or applies (APPL) the LAN interface settings	▼	A
	CF41	IP address assignment method	▼■	B or C
	CF42	Manual IP address setting (1)	▼■	B or C
	CF43	Manual IP address setting (2)	▼■	B or C
CF44	Manual IP address setting (3)	▼■	B or C	
CF45	Manual IP address setting (4)	▼■	B or C	

Display switching	Parameter number	Setting or display description	Effect	Note
LAN <sup>4</sup>	CF46	IP address subnet mask prefix setting	▼■	B or C
	CF47	SCPI-RAW protocol TCP port number	▼■	B or C
USB	CF50	VID (vendor ID) display	▼	—
	CF51	PID (product ID) display	▼	—
RS232C	CF52	RS232C baud rate parameter	▼	B

- 1 You can only specify this parameter when the PWX750ML is being used as a master unit.
- 2 You can only specify this parameter only when the PWX750ML is being used as a slave unit.
- 3 This parameter is affected only when the LAN interface settings are reset (CF40: dEF).
- 4 This parameter is displayed only when the LAN interface is in use (CF20: on). In firmware version 3.00, the assignment of settings and displays to the parameter numbers was changed. See the appropriate manual that corresponds to the firmware version of the product that you are using.



CF00, and CF40 are used to execute operations. CF30 to CF36, CF50, and CF51 are used to display the status of the PWX750ML. You cannot set the values of any of these CONFIG parameters.

The SET key blinks when you have selected a CONFIG parameter whose setting you must confirm by pressing SET (CF00, and CF40).

## CF01 to CF36, CF41 to CF52 Specifying the CONFIG settings

- Excluding resets the panel settings (CF00) and Resets or applies the LAN interface settings (CF40)

### 1 Press CONFIG.

The CONFIG key lights, and the SET key blinks. The ammeter displays the parameter number—CF00 [CF00]. The voltmeter displays the corresponding setting—rST [rSE].

### 2 Press CONFIG or turn the CURRENT knob to select the number of the parameter that you want to set.

When you press CONFIG, the PWX750ML switches between the parameter numbers in the following order.

CF00 → CF20 → CF30 → CF40 → CF50 → measured value display

When you turn the CURRENT knob, the PWX750ML switches between the parameter numbers. The parameter numbers that are displayed are those within the ranges defined by the parameter numbers that pressing the CONFIG key switches between.

### 3 Turn the VOLTAGE knob to change the value of the parameter.

### 4 To specify or display other parameters, repeat step 2 and step 3. To stop specifying CONFIG settings, proceed to step 5.

### 5 Continue pressing CONFIG until the measured value display appears. Alternatively, press OUTPUT or PWR DSPL. If you are configuring a slave unit, press CONFIG or PWR DSPL.

Some CONFIG parameters will be applied immediately after you set them, some will be applied after you restart the PWX750ML, and some will be applied after you execute CF40 "APPL [APPL]".

#### ★ Memo

Press CONFIG or turn the CURRENT knob to switch between the parameter numbers. These two methods switch between the parameter numbers differently.

See p.41

## F00/ CF40 Specifying the CONFIG settings

- Resetting the panel settings (CF00)
- Resetting or applying the LAN interface settings (CF40)

### 1 Press CONFIG once (for CF00) or four times (for CF40).

The CONFIG key lights and the SET key blinks.

If you pressed CONFIG once, the ammeter displays the parameter number—CF00 [CF00]. The voltmeter displays the corresponding setting—rST [rSE].

If you pressed CONFIG four times, the ammeter displays the parameter number—CF40 [CF40]. The voltmeter displays the corresponding setting—Lci [LCI]/dEF [dEF]/APPL [APPL].

### 2 Press SET, which is blinking.

The CONFIG key lights, and the SET key, the parameter number displayed on the ammeter, and the setting displayed on the voltmeter all blink.



Example of "LCI" displayed for CF40

**Memo**

Press any key other than SET to cancel the confirmation of the parameter.

**3 Press SET, which is blinking, again.**

While the parameter number and the setting are blinking, no new settings will be applied until you press SET.

When setting CF00, the measured value display appears.

When CF40 is set, the LAN LED lights in orange (for about 4 to 5 seconds) while the setting is being confirmed and then turns green when it is complete. Press SET to exit the CONFIG settings. The settings will be applied.

If the LAN LED turns red, set the settings again.

See p.9

## CONFIG parameter details

The CONFIG parameters are explained in detail below.

### CF00 Resets the panel settings

See p.41, p.58, Communication Interface Manual

Sets whether the panel settings will be reset. The following settings will be reset. When the settings are reset, the PWX750ML settings take on the same values as they do when an \*RST command is received.

You can only specify this parameter when the PWX750ML is being used as a master unit.

- Output voltage• Output on/off at power-on
- Output current• Constant current control using an Vext or Rext (CF05)
- Overvoltage protection• Constant voltage control using an Vext or Rext (CF06)
- Overcurrent protection• External control setting for turning output on and off (CF09)
- Undervoltage limit• Voltage and current setting limits (CF15 and CF14)

Value	Parameter description
rSt	Resets the panel settings

### CF01 Master-slave parallel operation parameter

See p.78

Sets the total number of units (master unit and slave units) in master-slave parallel operation. Specify "SLAV" for the units that you want to use as slaves.

This parameter is applied when you restart the PWX750ML.

Changing this setting may affect the settings of the master unit or the slave units that are connected in parallel.

See p.41

Value	Parameter description
SLAV	Use the PWX as a slave unit.
1 to 4	Set the total number of units (1 to 4; 1 indicates independent operation--factory default setting).

### CF02 Power-on status parameter

See p.13

Sets the condition that the PWX750ML will be in when the power is turned on. This setting is invalid when you are using an external contact to turn the output off.

This parameter is applied when you turn the POWER switch off and on.

If you want to specify "Auto" or "Forc", set the method for clearing OHP, FAN, and AC-FAIL alarms to "After the problem that caused an alarm to occur is fixed, the output is turned on automatically" (CF03: Auto).

You can only specify this parameter when the PWX750ML is being used as a master unit.

Value	Parameter description
SAFE	The settings that were in use immediately before the POWER switch was turned off are used. The output is off (factory default setting).
Auto	The settings that were in use immediately before the POWER switch was turned off are used. This includes whether output was on or off.
Forc	The settings that were in use immediately before the POWER switch was turned off are used. The output is turned on.

### CF03 Method for clearing OHP, FAN, and AC-FAIL alarms

See p.35

Sets the method for clearing alarms when overheat protection (OHP), fan failure protection (FAN), or low AC input protection (AC-FAIL) has been activated. You cannot set this parameter separately for each protection function.

See p.38

When you select "Auto," if the overheat protection function (OHP) has been activated, output will turn on again automatically when the internal temperature drops to a normal level. However, if you do not fix the problem that caused the alarm to occur, the alarm will occur again, which will force you to clear the alarm again. The overheat protection devices have long service lives (approximately 100000 uses), but if they reach the end of their service lives, they will stop operating. To maintain the performance of the PWX750ML for a long time, we request that you fully understand the Auto feature and only use it when necessary.

Value	Parameter description
SAFE	After the problem that caused an alarm to occur is fixed, the output is not turned on automatically (factory default setting).
Auto	After the problem that caused an alarm to occur is fixed, the output is turned on automatically.

### CF04 Memory content display parameter

See p.55

Sets whether to display the saved contents in the preset memory before recalling them.

You can use this CONFIG parameter if you forget what settings have been saved to a preset memory entry or if you want to view the saved settings.

You can only specify this parameter when the PWX750ML is being used as a master unit.

Value	Parameter description
off	The saved contents of preset memory will be recalled without displaying them.
on	The saved contents of preset memory entries will be displayed (factory default setting).

### CF05 CC control using an Vext or Rext

See p.44, p.55, p.66

Sets whether constant current will be controlled by an external voltage (Vext) or an external resistance (Rext) (the J1 connector). This is set to "oFF" when the panel settings are reset (CF00) and when a preset memory entry is recalled. You can only specify this parameter when the PWX750ML is being used as a master unit.

Value	Parameter description
oFF	Control will not be performed (factory default setting).
on	Control will be performed.

### CF06 CV control using an Vext or Rext

See p.66

Selects whether constant voltage will be controlled by an external voltage (Vext) or an external resistance (Rext) (the J1 connector). This is set to "oFF" when the panel settings are reset (CF00) and when a preset memory entry is recalled. You can only specify this parameter when the PWX750ML is being used as a master unit.

Value	Parameter description
oFF	Control will not be performed (factory default setting).
on	Control will be performed.

### CF07 CV/CC control range parameter

See p.66, p.68

Selects the range that is used when controlling constant current and constant voltage with an external voltage or an external resistance (the J1 connector). You can only specify this parameter when the PWX750ML is being used as a master unit.

Value	Parameter description
Lo	0 V to 5 V (factory default setting)
Hi	0 V to 10 V

### CF08 Range during voltage and current monitoring

See p.74

Selects the range during voltage and current monitoring.

Value	Parameter description
Lo	0 V to 5 V (factory default setting)
Hi	0 V to 10 V

### CF09 External control parameter for turning output on and off

See p.70

Selects whether an external contact (the J1 connector) will be used to turn output on and off. This is set to "oFF" when the panel settings are reset (CF00) and when a preset memory entry is recalled. You can only specify this parameter when the PWX750ML is being used as a master unit.

Value	Parameter description
oFF	External control is not performed (factory default setting).
on	External control is performed.

### CF10 External control logic parameter for turning output on and off

See p.70

Sets the logic that is used when an external contact (the J1 connector) is being used to turn output on and off. If you are not using an external contact to turn output on and off, select “Hi.” You can only specify this parameter when the PWX750ML is being used as a master unit.

Value	Parameter description
Lo	Output is turned on when a LOW signal (0 V to 0.5 V) or short-circuit is received (factory default setting).
Hi	Output is turned on when a HIGH signal(4.5 V to 5 V) or open-circuit is received.

### CF11 Bleeder on or off

See p.57

Turns the bleeder circuit on and off. You can turn the bleeder circuit off when you don't want current to be sunk by the internal bleeder circuit, such as when you are charging a battery. Even when the output terminal is off (open) or when the set voltage is 0 V, if you turn the bleeder off, a voltage as large as a few hundred millivolts may appear at the output terminal. Depending on whether the breeder circuit is on or off, the sink current and the fall time of output voltage when an external voltage sources connected will vary.

When using master-slave parallel operation or series operation, use the same settings on all connected units.

Value	Parameter description
oFF	The bleeder circuit is turned off.
on	The bleeder circuit is turned on (factory default setting).

### CF12 Output-on startup state parameter

See p.33

Sets the operation mode to be prioritized when the output is turned on. When used as a slave device, CC is automatically prioritized. To use the PWX750ML as a standalone unit or master unit after using it as a slave unit, set the operation mode that you want to use.

If you do not set the operation mode, CC will be prioritized.

You can only specify this parameter when the PWX750ML is being used as a master unit.

Value	Parameter description
CC	CC (constant current) is prioritized.
CV	CV (constant voltage) is prioritized (factory default setting).

### CF13 Detection time of OCP activation

See p.36

Sets the time from when an overcurrent is detected to when the output is turned off in steps of 100 ms.

Value	Parameter description
0	0 ms (factory default setting)
100 to 2000	100 ms to 2000 ms

### CF14 Current setting limit

See p.35

Set whether to limit the set output current so that its value does not exceed the set overcurrent protection (approximately 95 % of the OCP trip point). When the current setting limit is set to “oFF,” if you set the current setting limit to “on” when the set OCP is lower than the set current, the current value will be maintained, and the set OCP will be changed to 105 % of the current value. The parameter will also be changed if the output is on.

This is set to “on” when the panel settings are reset (CF00) and when a preset memory entry is recalled.

You can only specify this parameter when the PWX750ML is being used as a master unit.

Value	Parameter description
oFF	The setting is not limited.
on	The setting is limited (factory default setting).

### CF15 Voltage setting limit

See p.35

Set whether to limit the set output voltage so that its value does not exceed the set overvoltage protection (approximately 95 % of the OVP trip point) and is not lower than the set undervoltage limit. When the voltage setting limit is set to “oFF,” if you set the voltage setting limit to “on” when the set OVP is lower than the set voltage, the voltage value will be maintained, and the set OVP will be changed to 105 % of the voltage value. In addition, the set UVL will be changed to match the voltage value. The parameter will also be changed if the output is on.

This is set to “on” when the panel settings are reset (CF00) and when a preset memory entry is recalled.

You can only specify this parameter when the PWX750ML is being used as a master unit.

Value	Parameter description
oFF	The setting is not limited.
on	The setting is limited (factory default setting).

### CF16 Panel display brightness setting

★ Memo

When multiple units are used side-by-side, if the brightness of the panel display is different between units, you can adjust it.

Adjusts the panel display brightness. The larger the number, the brighter the display.

Even if you specify the same number, the brightness may be different between individual products.

The brightness is not proportional to the setting.

Value	Parameter description
1 to 7	Screen brightness (factory default setting: 7).

### CF17 Communication monitor timer setting

See p.40

Sets the interval for monitoring SCPI command communication.

The communication monitoring function operates regardless of whether the product is in remote or local (panel control) mode.

When using local mode (panel control), be sure to specify oFF.

Value	Parameter description
oFF	Communication monitor timer is set to off (factory default setting).
1 to 3000	1 s, 3 s, 10 s, 30 s, 100 s, 300 s, 1000 s, 3000 s



## CF19 Current and power display on slave units for master-slave parallel operation

Sets whether the current or power on slave units is displayed during master-slave parallel operation. You can display and specify this parameter only when the PWX750ML is being used as a slave unit.

If this parameter is set so that the current or power on slave units is not displayed, the ammeter displays “- - - -.”

Value	Parameter description
oFF	The current or power of slave units is not displayed (factory default setting).
on	The current or power of slave units is displayed.

## CF20 LAN interface parameter

Sets whether the LAN interface will be used.

By setting it to “oFF,” you can disable the LAN interface function even when a LAN cable is connected. You will also not be able to set the LAN interface parameters.

Even when this is set to “on,” if the command language is set to legacy (CF21: LGCy), you cannot use the LAN interface.

This parameter is applied when you turn the POWER switch off and on.

Value	Parameter description
oFF	The LAN interface will be not used
on	The LAN interface will be used (factory default setting).

## CF21 Command language parameter

Sets the command language that is used in remote control messages.

This parameter is applied when you turn the POWER switch off and on.

Value	Parameter description
SCPi	The SCPI language will be used (factory default setting).
LGCy	Legacy languages will be used.

## CF22 Emulation parameter during remote control

Sets the emulation that is used during remote control. If you have set the command language to legacy languages, you can only select “Gen” or “PAG.”

This parameter is applied when you turn the POWER switch off and on.

Value	Parameter description
nonE	Remote control is performed using the PWX750ML commands made by Kikusui (factory default setting).
5700	Remote control is performed using the N5700/N8700 commands made by Agilent Technologies.
GEEn	Remote control is performed using the Genesys series commands made by TDK-Lambda.
PAG	Remote control is performed using the PAG series commands made by Kikusui.
dCS	Remote control is performed using the DCS series commands made by Sorensen.

### CF23 SCPI communication error display parameter

Sets whether to display communication errors. This parameter is displayed and can be set only when the SCPI language is in use.

Value	Parameter description
oFF	SCPI communication errors are not displayed (factory default setting)
on	SCPI communication errors are displayed.

### CF24 Multichannel (VMCB) domain number parameter

Set the multichannel domain number. PWXs that have the same domain number perform multichannel operations. If you do not want to use the multichannel function, set this to 0 (this is the factory default setting).

If 5700 or DCS emulation is selected, you cannot use multichannel. This parameter is applied when you turn the POWER switch off and on.

For details on the multichannel function, see the Communication Interface Manual on the included CD-ROM.

Value	Parameter description
0	The multichannel function is not used (factory default setting).
1 to 254	The domain number when the multichannel function is used.

### CF25 Multichannel (VMCB) channel number

Set the multichannel channel number. Specify a unique number on the network. If you do not want to use the multichannel function, set this to 0 (this is the factory default setting).

If 5700 or DCS emulation is selected, you cannot use multichannel.

This parameter is applied when you turn the POWER switch off and on.

For details on the multichannel function, see the Communication Interface Manual on the included CD-ROM.

Value	Parameter description
0	The PWX is used as a master unit on the multichannel network (factory default setting).
1 to 30	The PWX is used as a slave unit with this channel number on the multichannel network

### CF30 to CF33 IP address display

These parameters display the set IP addresses. These parameters are only displayed when you are using the LAN interface.

To set a fixed IP address, set it from the panel (CF42 to CF45), or access the PWX through a Web browser. When you access the PWX750ML through a Web browser, do so under conditions in which a DHCP server or AUTO IP can be used.

For information about the Web browser interface, see the included CD-ROM.

Parameter number	Display	Description
CF30	0 to 255	Displays the first IP address number
CF31	0 to 255	Displays the second IP address number
CF32	0 to 255	Displays the third IP address number
CF33	0 to 255	Displays the fourth IP address number

## CF34 to CF36 MAC address display

These parameters display the set MAC addresses.

MAC addresses are set to 00.0F.CE.xx.xx.xx (where x is a hexadecimal number between 0 and F).

Parameter number	Display	Description
CF34	00.0F	Displays the first and second MAC address numbers
CF35	CE.xx	Displays the third and fourth MAC address numbers
CF36	xx.xx	Displays the fifth and sixth MAC address numbers

CF34: 00.0F



CF35: CE.11



CF36: 22.33



Display example of the MAC address "00.0F.CE.11.22.33:"

## CF40 Resetting (LCI/ DEF) or applying (APPL) the LAN interface settings

p.9、 p.43

Sets whether to reset or apply the LAN interface settings. This parameter is displayed and can be set only when the LAN interface is in use.

If you select to reset the LAN interface settings (LCI/ DEF), the security password will be cleared, and the PWX will be in a security-disabled state.

If the LAN LED turns red, set the settings again.

For details on the LAN interface settings, see the "Communication Interface Manual" on the included CD-ROM.

Value	Parameter description
LCI	Resets the LAN interface settings (to their factory default values)
dEF	The LAN interface and multichannel (VMCB) settings are reset (to their factory default values).
APPL	The LAN interface is restarted, and the CONFIG settings are applied.

### CF41 IP address assignment method







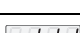
Sets the IP address assignment method. This parameter is displayed and can be set only when the LAN interface is in use.

Set whether to use (on: 1) or not use (off: 0) the following: DHCP server, AUTO IP function (automatic assignment), and MANUAL IP function (manual assignment).

If an IP address is not assigned through a DHCP server, AUTO IP is used.

To use the MANUAL IP function, set the DHCP server and AUTO IP function to off. The address that is assigned by the AUTO IP function is 169.254.x.x (where x is a number between 1 and 254).

This parameter is applied when you turn the POWER switch off and on or when you execute APPL with CF40.

Value/ Display	Parameter description
 (001)	DHCP: OFF, AUTO IP: OFF, MANUAL IP: ON
 (010)	DHCP: OFF, AUTO IP: ON, MANUAL IP: OFF
 (011)	DHCP: OFF, AUTO IP: ON, MANUAL IP: ON
 (100)	DHCP: ON, AUTO IP: OFF, MANUAL IP: OFF
 (101)	DHCP ON, AUTO IP: OFF, MANUAL IP: ON
 (110)	DHCP: ON, AUTO IP: ON, MANUAL IP: OFF (factory default setting)
 (111)	DHCP: ON, AUTO IP: ON, MANUAL IP: ON

### CF42 to CF45 Manual IP address setting (MANUAL IP function)

If you are not using the DHCP server or the AUTO IP function, set the IP address manually. To do so, use CF41 to set MANUAL IP to on. This parameter is displayed and can be set only when the LAN interface is in use.

These parameters are applied when you turn the POWER switch off and on or when you execute APPL with CF40.

Parameter number	Value	Parameter description
CF42	0 to 255	Sets the first IP address number
CF43	0 to 255	Sets the second IP address number
CF44	0 to 255	Sets the third IP address number
CF45	0 to 255	Sets the fourth IP address number

### CF46 IP address subnet mask prefix setting

If you want to set the IP address manually (MANUAL IP function), set the subnet mask prefix. To do so, use CF41 to set MANUAL IP to on.

This parameter is displayed and can be set only when the LAN interface is in use.

This parameter is applied when you turn the POWER switch off and on or when you execute APPL with CF40.

Parameter number	Value	Parameter description
CF46	16 to 31	Sets the subnet mask prefix

Examples: Display example when "16" is set      255.255.0.0  
 Display example when "24" is set      255.255.255.0  
 Display example when "31" is set      255.255.255.254

### CF47 SCPI-RAW protocol TCP port number setting

Set the TCP port number of the SCPI-RAW protocol for when the LAN interface is in use. This parameter is displayed and can be set only when the LAN interface is in use.

This parameter is applied when you turn the POWER switch off and on or when you execute APPL with CF40.

TCP port number 4880, 5024 and 5044 cannot be used.

Value	Parameter description
1000 to 9999 (except 4880, 5024, 5044)	TCP port number (factory default setting: 5025)

### CF50 Vendor ID (VID) display

Displays the USB vendor ID.

Display	Description
0b3E	0x0B3E

### CF51 Product ID display

Displays the USB product ID.

Display	Description
1025	0x1025

### CF52 RS232C baud rate setting

Sets the RS232C baud rate. This parameter is applied when you restart the PWX750ML.

Value	Parameter description
1.2	1200 bps
2.4	2400 bps
4.8	4800 bps
9.6	9600 bps
19.2	19200 bps (factory default setting)
38.4	38400 bps
57.6	57600 bps
115.2	115200 bps

# Preset Memory Function

The PWX750ML has the preset memory that stores three sets of the following settings: the voltage, the current, the OVP, the OCP, and the UVL. You can recall the stored set from the preset memory whenever you need.

To select the preset memory that you specify for saving or recalling a set of settings, press A, B, or C key while holding down SHIFT key.

The recalling will be effective at the moment when you select the preset memory. To save the present settings, you need to keep holding down the keys (SHIFT+A, B, or C).

## Saving settings to preset memory

### 1 Press SET.

The SET key lights, and the present voltage and current settings are displayed on the panel.

### 2 While viewing the values displayed on the panel, turn the VOLTAGE knob to set the preset memory voltage and turn the CURRENT knob to set the preset memory current.

See p.36

### 3 Press OCP•OVP.

The OCP•OVP key lights, and the OVP trip point and OCP trip point are displayed in the display area.

### 4 While viewing the values displayed on the panel, turn the VOLTAGE knob to set the preset memory OVP value and turn the CURRENT knob to set the preset memory OCP value.

See p.38

### 5 Press OCP•OVP again.

The present UVL trip point is displayed.

### 6 While viewing the value displayed on the panel, turn the VOLTAGE knob to set the preset memory UVL value.

### 7 Press SHIFT+the memory key (A, B, or C) to which you want to save the settings. Hold the keys down until their LEDs turn on.

The PRESET A, PRESET B, or PRESET C LED in the display area—whichever one corresponds to the memory entry that you selected—lights to indicate that the preset memory entry has been saved.

By following step 7, you can save preset memory entries when the output is on and the measured value display is being shown (the SET key LED is off). After you save a preset memory entry, press SET to view the preset memory values.

## Recalling preset memory entries

You can recall preset memory entries from the measured value display (when the SET key LED is off) and from the setting display (when the SET key LED is lit).

If the output is on, the values in the preset memory entry are applied to the output the moment that the preset memory entry is recalled (the moment that the settings are applied).


 p.45

There are two methods to recall a preset memory entry. One method is to display the saved contents for confirmation and then recall (CF04: on). The other is to recall immediately without displaying the contents (CF04: oFF).

### NOTE

If you hold down SHIFT+the memory key (A, B, or C) from which you want to recall the preset memory entry, the present values in use will be saved to the preset memory entry instead.

When you recall a preset memory entry, the following items are set to their factory default settings.

 p.46, p.46, p.48

- Constant current control using an Vext or Rext (CF05: oFF)
- Constant voltage control using an Vext or Rext (CF06: oFF)
- Output on/off control using an external contact (CF09: oFF)
- Current setting limit (CF14: on)
- Voltage setting limit (CF15: on)

## Displaying the saved contents for confirmation and then recalling

### ★ Memo

This is convenient when you want to view the contents that have been saved to memory.

### 1 Press SHIFT+the memory key (A, B, or C) from which you want to recall the preset memory entry.

The SET LED and the contents (voltage and current) of the loaded preset memory that are shown in the display area blink. If you press another memory key, the contents of the corresponding memory appear blinking.

### 2 Check the displayed settings, and then press SET.

The SET LED and the LED that corresponds to the loaded preset memory entry both light, and the set voltage and current are displayed on the panel.

### ★ Memo

Press OCP•OVP, CONFIG, or PWR DSPL to cancel the recall operation.

## Easily recalling a preset memory entry

### ★ Memo

This is convenient when you know the contents that have been saved to memory.

### 1 Use the CONFIG settings to set the PWX750ML to hide the saved contents of preset memory entries (CF04: oFF).

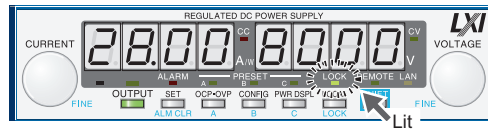
### 2 While holding down the SHIFT key, press the appropriate memory key (A, B, or C).

The LED that corresponds to the preset memory entry that you have loaded (PRESET A, B, or C) lights.

If no load is connected, it will take time for the output voltage to decrease.

# Locking Panel Operations (Key lock)

The PWX750ML's key lock function prevents you from accidentally changing the settings.



When the keys are locked (when the LOCK LED is lit), only the OUTPUT key is valid.

- 1 Configure all the settings, such as the output voltage and output current, as necessary.**
- 2 Hold down LOCK (SHIFT+LOCAL) until the LOCK LED in the display area lights.**

When the LOCK LED lights, the keys are locked.

To unlock the keys, hold down LOCK again (SHIFT+LOCAL) until the LOCK LED turns off.



# Bleeder On/Off Feature

See p.47

You can turn the bleeder circuit on and off. Turn the bleeder circuit off when you do not want the internal bleeder circuit to sink output current. When you connect a battery, you can prevent excessive electrical discharges by turning the bleeder circuit off.

When using master-slave parallel operation or series operation, use the same settings on all connected units.

Depending on whether the breeder circuit is on or off, the sink current and the fall time of output voltage when an external voltage sources connected will vary.

The sink current or fall time indicated here is a standard value.



**Risk of electric shock. Set the bleeder on/off setting to “on” before you touch the output terminals. Even if you turn the output off or turn the POWER switch off, if the bleeder on/off setting is set to “oFF,” the voltage that was present when the output was on will remain at the output terminals.**

- Sink current from an external voltage source when the breeder is on and off (When the voltage from the external voltage source is larger than the set voltage)

Vout = Output terminal voltage

Bleeder circuit	Sink current								
	5 Vout <sup>1</sup>	10 Vout	20 Vout	30 Vout	40 Vout	50 Vout	60 Vout	70 Vout	80 Vout
ON	583 mA	559 mA	510 mA	462 mA	414 mA	365 mA	317 mA	269 mA	221 mA
OFF	0.1 mA	0.2 mA	0.4 mA	0.6 mA	0.8 mA	1.0 mA	1.2 mA	1.4 mA	1.6 mA

- 1 Even when the breeder is on, the sink current decreases gradually at output terminal voltages lower than this voltage. If the output terminal voltage is near 0 V, hardly any current will be sunk even when the breeder is on.

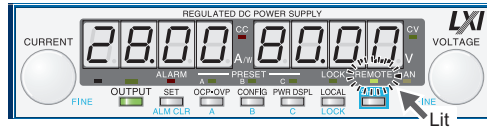
- Fall time of the output voltage when the breeder is off

This is the time period for the rated output voltage to fall from 90 % to 10 % when the output is changed from on to off under no load conditions.

Fall time	250 seconds
-----------	-------------

## Switching from Remote Mode to Local Mode

When the PWX750ML is being controlled remotely, the REMOTE LED in the display area lights.



To switch the PWX750ML to local mode from the front panel, press LOCAL.

## Factory Default Settings (Initialization)

If you hold down SHIFT+LOCAL while you turn the POWER switch on, the PWX750ML will be reset to the factory default settings.

The factory default settings are shown below.

### ■ Basic settings

Basic item	Parameter description
Output voltage	0 V
Output current	105 % of the rated output current
OVP (overvoltage protection)	112 % of the rated output voltage
OCP (overcurrent protection)	112 % of the rated output current
UVL (undervoltage limit)	0 V

## ■ CONFIG settings

Param. number	CONFIG parameter	Parameter description
CF01	Master-slave parallel operation parameter	1 (independent operation)
CF02 <sup>1</sup>	Power-on status parameter	SAFE (panel settings that were in use the last time the power was turned off)
CF03	Method for clearing OHP, FAN, and AC-FAIL alarms	SAFE (do not clear the alarm automatically)
CF04 <sup>1</sup>	Memory content display parameter	ON (displayed)
CF05 <sup>1</sup>	CC control using an Vext or Rext	OFF
CF06 <sup>1</sup>	CV control using an Vext or Rext	OFF
CF07 <sup>1</sup>	CV/CC control range parameter	LO (0 V to 5 V)
CF08	Range during voltage and current monitoring	LO (0 V to 5 V)
CF09 <sup>1</sup>	External control parameter for turning output on and off	OFF
CF10 <sup>1</sup>	External control logic parameter for turning output on and off	LO (a LOW signal turns output on) <sup>2</sup>
CF11	Bleeder on/off parameter	ON (bleeder circuit is on)
CF12 <sup>1</sup>	Output-on startup state parameter	CV (CV is prioritized)
CF13	Detection time of OCP activation	0 ms
CF14 <sup>1</sup>	Current setting limit	ON (the setting is limited)
CF15 <sup>1</sup>	Voltage setting limit	ON (the setting is limited)
CF16	Panel display brightness setting	7
CF17	Communication monitor timer setting	OFF (Communication monitoring timer off)
CF19 <sup>3</sup>	Display setting on slave units for master-slave parallel operation	OFF (not displayed on slave units)
CF20	LAN interface parameter	LAN (The LAN interface will be used)
CF21	Command language parameter	SCPI
CF22	Emulation parameter during remote control	NONE (PWX750ML commands)
CF23	SCPI communication error display parameter	OFF (not displayed)
CF24	Multichannel (VMCB) domain number	0 (the multichannel function is not used)
CF25	Multichannel (VMCB) channel number	0 (the PWX is used as a master unit on the multichannel network)
CF41	IP address assignment method	 (DHCP: ON, AUTO IP: ON, MANUAL IP: OFF)
CF47	SCPI-RAW protocol TCP port number	5025
CF52	RS232C baud rate parameter	19.2 (kbit/s)

1 You can only specify this parameter when the PWX750ML is being used as a master unit.

2 0 V to 0.5 V or shorted.

3 You can only specify this parameter only when the PWX750ML is being used as a slave unit.



This page is intentionally blank.





# 3

---

## External Control

This chapter explains external control and external monitoring using the J1 connector.

# Overview

You can use the J1 connector on the rear panel of the PWX750ML to perform the following types of external control.

- Output voltage control  
Controlled using an external voltage or external resistance
- Output current control  
Controlled using an external voltage or external resistance
- Turning output on and off using an external contact
- Output shutdown control using an external contact
- Clearing alarms using an external contact
- Monitoring operation modes

## About the J1 Connector

Plug kit 749809-9 DB25 is included for connecting to the J1 connector. The plug kit is constructed of connector parts made by AMP.

Simple pressure welding tools and contact removal tools are not included. These items must be purchased separately.

For information about how to use these components, see the AMP catalogs.

For information about how to obtain these tools or replacement parts, contact your Kikusui agent or distributor.

### ⚠ CAUTION

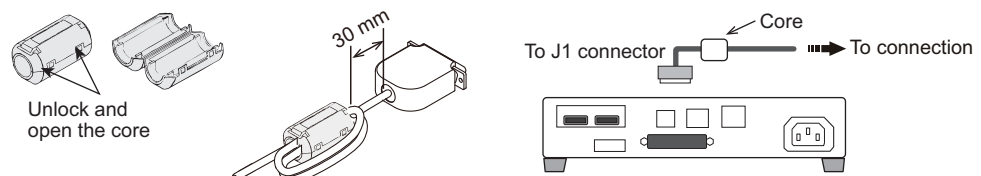
When using the isolated analog interface (Option), do not apply signals to VPGM (pin 22) and IPGM (pin 21) of the J1 connector. If you do, the connected device may malfunction, or the PWX may not operate properly.

### Attaching the J1 cable core

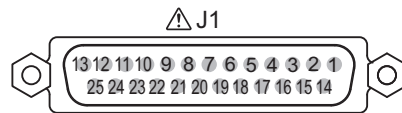
To connect to the J1 connector, requires a core on the cable for connection. The core is not included. Use an appropriate core.

Recommended core: ZCAT3035-1330 EMI FILTER 250 Ohm 100 MHz by TDK

- 1 Unlock the snap-on core and open to split.**
- 2 Wrap the cable twice around either half of the open core.**  
Wrap the wire so that the distance between the core and the J1 connector is within 30 mm.
- 3 Close the core keeping the J1 cable from being wedged in between.**  
Check that the core is securely locked.



### J1 connector pin arrangement



Pin number positions when you are facing the rear panel

Connector type	5747461-3 (AMP)
Plug type	745211-7 (AMP)
Wire diameter	AWG26 to AWG22
Manual pressure welding tool	AMP handle assembly 58074-1 AMP head assembly 58063-2
Insertion/extraction tool	AMP 91232-1 or equivalent

Pin no.	Signal name	Description
1	STATUS COM	Status signal common for pins 2, 3, and 14 to 16. <sup>1</sup>
2	CV STATUS	On when the PWX750ML is in CV mode (open-collector output from a photocoupler). <sup>2</sup>
3	CC STATUS	On when the PWX750ML is in CC mode (open-collector output from a photocoupler). <sup>2</sup>
4	N.C.	Not connected.
5	ALM CLR	Alarm clear terminal. Alarms are cleared when a LOW (0 V to 0.5 V) or short-circuit is applied to this terminal.
6	SHUT DOWN	Output shutdown control terminal. The output is turned off when a LOW (0 V to 0.5 V) or short-circuit is applied to this terminal.
7	PRL IN-	Negative input terminal for master-slave parallel operation.
8	PRL IN+	Positive input terminal for master-slave parallel operation.
9	PRL COMP IN	Correction signal input terminal for master-slave parallel operation.
10	A COM	External signal common for pins 5 to 9, 11 to 13, 18, 20 to 22, 24, and 25. During remote sensing, this is the negative electrode (-S) of sensing input. When remote sensing is not being performed, this is connected to the negative output.
11	PRL OUT+	Positive electrode output terminal for master-slave parallel operation.
12	PRL COMP OUT	Correction signal output terminal for master-slave parallel operation.
13	I SUM	Current signal terminal for master-slave parallel operation.
14	ALM STATUS	On when a protection function (OVP, OVP2, OCP, OHP, FAN, SEN, or AC_FAIL) has been activated or when an output shutdown signal is being applied (output through an open-collector photocoupler). <sup>2</sup>
15	PWR ON STATUS	Outputs a low level signal when power is turned on (output through an open-collector photocoupler). <sup>2</sup>
16	OUT ON STATUS	On when output is on (output through an open-collector photocoupler). <sup>2</sup>
17	N.C.	Not connected.
18	OUT ON/OFF CONT	Output on/off terminal. On when set to LOW (0 V to 0.5 V) or shorted; off when set to HIGH (4.5 V or 5 V) or open (CF10: Lo) On when set to HIGH (4.5 V to 5 V) or open; off when set to LOW (0 V or 0.5 V) or shorted (CF10: Hi)
19	A COM	External signal common for pins 5 to 9, 11 to 13, 18, 20 to 22, 24, and 25. During remote sensing, this is the negative electrode (-S) of sensing input. When remote sensing is not being performed, this is connected to the negative output.
20	REF OUT	External resistance control terminal; 5.25 V (CF07: Lo) or 10.5 V (CF07: Hi). The maximum output current 2.5 mA.
21	I PGM <sup>3</sup>	Terminal used to control the output current with an external voltage or external resistance. 0 V to 5 V; 0 % to 100 % of the rated output current (CF07: Lo). 0 V to 10 V; 0 % to 100 % of the rated output current (CF07: Hi).
22	V PGM <sup>3</sup>	Terminal used to control the output voltage with an external voltage or external resistance. 0 V to 5 V; 0 % to 100 % of the rated output voltage (CF07: Lo). 0 V to 10 V; 0 % to 100 % of the rated output voltage (CF07: Hi).
23	A COM	External signal common for pins 5 to 9, 11 to 13, 18, 20 to 22, 24, and 25. During remote sensing, this is the negative electrode (-S) of sensing input. When remote sensing is not being performed, this is connected to the negative output.
24	I MON	Output current monitor. 0 % to 100 % of the rated output current is generated as a voltage between 0 V and 5 V (CF08: Lo) or a voltage between 0 V and 10 V (CF08: Hi).
25	V MON	Output voltage monitor. 0 % to 100 % of the rated output voltage is generated as a voltage between 0 V and 5 V (CF08: Lo) or a voltage between 0 V and 10 V (CF08: Hi).

1 The status common is floating (isolation voltage of 60 V or less), it is isolated from the control circuit. If connected for master-slave parallel operation, STATUS COM of the master unit will be connected to A COM of the slave unit (it will no longer be floating).  
 2 Open collector output: Maximum voltage of 30 V and maximum current of 8 mA.  
 3 When using the isolated analog interface (Option), do not apply signals to VPGM (pin 22) and IPGM (pin 21) .

# Notes for Connecting External Voltage (Vext)

This section contains notes for controlling the output using external voltage (Vext).

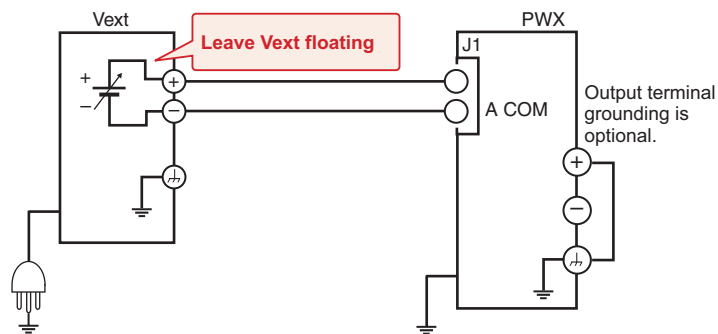
## A COM terminal

The electric potential of A COM (pin10, pin 19, and pin 23) of the J1 connector that Vext is connected to varies depending on whether remote sensing is used.

- When remote sensing is not used: Same electric potential as the negative output terminal
- When remote sensing is used: Same electric potential as the negative electrode (-S) of sensing input

## Floating

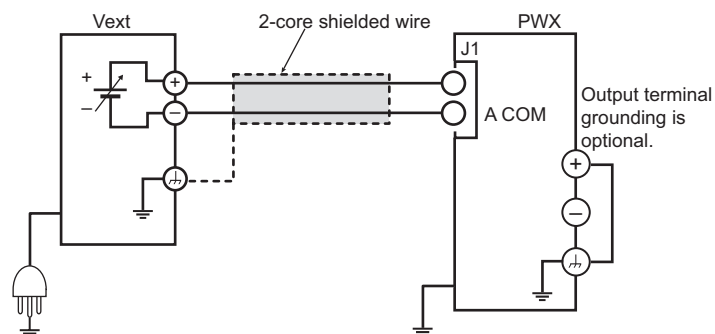
**CAUTION** In a system that uses external control, do not ground the Vext output, that is, leave it floating. If you do, the PWX output may short and burn out the control cable.



## When using shielded cables

**CAUTION** Do not connect the shield to Vext and PWX at the same time. If you do, the PWX output may short and burn out the control cable.

When using shielded cables, connect the shield to either Vext or the PWX. The following figure shows an example of the shield connected to the Vext chassis terminal.



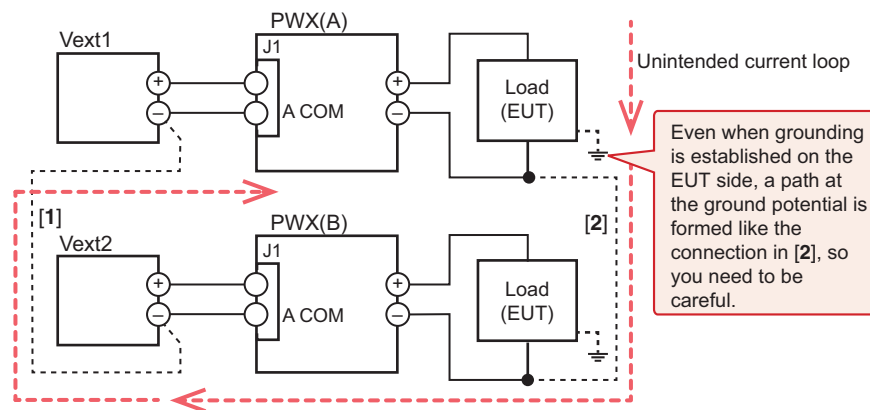


## System that controls multiple PWXs with multiple Vexts

**CAUTION** Connect the GND (negative) terminals between each Vext, but do not connect the negative output terminals between each PWX. Not following this rule may cause the system to malfunction or damage the devices.

When the GND (negative) terminals between each Vext is connected ([1]), the path connecting the A COM between each PWX is formed. If you connect the negative output terminals between each PWX, an unintended current loop shown in the following figure will be created. This current loop may cause the system to malfunction or damage the devices.

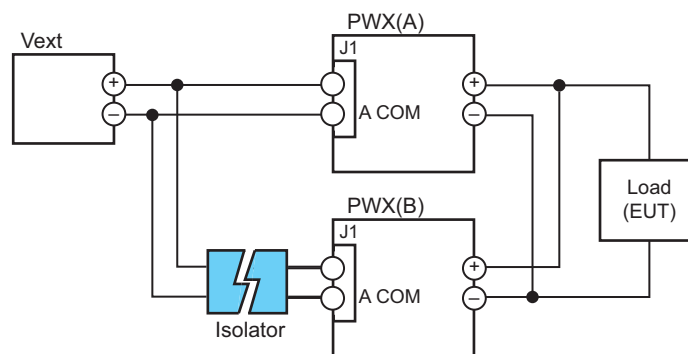
In a system that controls multiple PWXs with multiple Vexts, such as that shown in the following figure, we recommend that you do not connect [1] and [2]. If you need to for systematic reasons, connect either [1] or [2].



## System that controls PWXs connected in parallel using a single Vext

**CAUTION** Connect only a single PWX directly to Vext through a control cable. Not following this rule may cause the system to malfunction or damage the devices.

In a system that uses a single Vext to control PWXs connected in parallel, such as that shown in the following figure, only a single PWX can be connected directly to Vext through a control cable. Connect other PWXs through isolators.



**NOTE** The number of PWXs that can be connected directly is also one when using a system that controls the output through an external contact using a sequencer or the like.

# Controlling the Output Voltage

This section explains how to control the output voltage using an external voltage ( $V_{ext}$ ) or an external variable resistor ( $R_{ext}$ ) of approximately 10 k $\Omega$ .

If no load is connected, it takes some time for the output voltage to decrease.



## Risk of electric shock.

- The insulation of  $V_{ext}$  or  $R_{ext}$  and the connected cable must be greater than or equal to the isolation voltage of the PWX750ML ( $\pm 250 V_{max}$ ).
- When using shielded cables for the connection, protect the uncovered sections of the shielded cable by using insulation tubes whose withstand voltage is greater than the PWX750ML's isolation voltage.

## Control using an external voltage ( $V_{ext}$ )

See p.46

To use an external voltage ( $V_{ext}$ ) to control the output voltage, set the CV control using an external voltage or an external resistance in the CONFIG settings so that external voltage control is enabled (CF06: on).

The output voltage ( $E_o$ ) varies in the range of 0 to the rated output voltage ( $E_{rtg}$ ) when the external voltage ( $V_{ext}$ ) is changed in the range of 0 V to 5 V (CF07: Lo) or in the range of 0 V to 10 V (CF07: Hi).

External voltage ( $V_{ext}$ ) 0 V to 5 V (CF07: Lo)

$$E_o = E_{rtg} \times V_{ext}/5 \text{ (in V)}$$
$$V_{ext} = 5 \times E_o/E_{rtg} \text{ (in V)}$$

External voltage ( $V_{ext}$ ) 0 V to 10 V (CF07: Hi)

$$E_o = E_{rtg} \times V_{ext}/10 \text{ (in V)}$$
$$V_{ext} = 10 \times E_o/E_{rtg} \text{ (in V)}$$

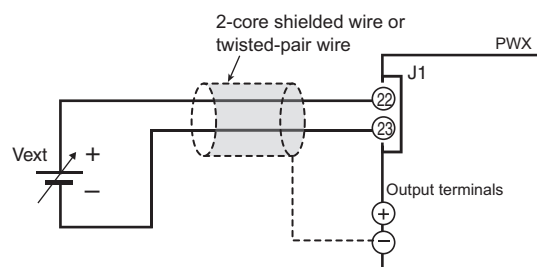


- The signal cable may burn out. Do not connect the  $V_{ext}$  output, that is, leave it floating. Risk of damage to the product.
- Pay careful attention to the polarity of  $V_{ext}$ .
- Do not apply a voltage of 10.5 V or greater, or a reverse voltage across the external voltage control pins.
- When using the optional isolated analog interface, do not connect anything to pin 22 (VPGM) of the J1 connector.

## External voltage ( $V_{ext}$ ) connection

Use a low-noise, stable voltage source for  $V_{ext}$ . The noise in  $V_{ext}$  is multiplied by the amplification factor of the PWX-750ML and appears in the output. Therefore, the output ripple noise may not meet the specifications of the PWX750ML.

To reduce the influence of noise on the output, connect a 2-core shielded wire or a twisted-pair wire across  $V_{ext}$ , and keep the wire as short as possible. If the wiring between the PWX750ML and the external contact is long, it becomes easy for noise to influence the operation of the PWX750ML. Even if you use cables that are designed to suppress noise, the PWX750ML may not operate properly.



See p.64

If you use a shielded cable, connect the shield to the negative output terminal. If the shield needs to be connected to the Vext side, see “Notes for Connecting External Voltage (Vext).” Use pins 22 and 23 of the J1 connector.

## Control using an external resistance (Rext)

See p.46

By using an external resistance (Rext) to change the reference voltage’s voltage-divider ratio, you can change the output voltage (Eo) in the range of 0 to the 105 % of the rated output voltage (Ertg).

To use an external resistance (Rext) to control the output voltage, set the CV control using an external voltage or an external resistance in the CONFIG settings so that external voltage control is performed (CF06: on).

The output voltage (Eo) varies in the range of 0 to the rated output voltage (Ertg) when the external voltage (Vext) is changed in the range of 0 V to 5 V (CF07: Lo) or in the range of 0 V to 10 V (CF07: Hi).

External voltage (Vext) 0 V to 5 V (CF07: Lo)

$$E_o = E_{rtg} \times V_{ext}/5 \text{ (in V)}$$

$$V_{ext} = 5 \times E_o/E_{rtg} \text{ (in V)}$$

External voltage (Vext) 0 V to 10 V (CF07: Hi)

$$E_o = E_{rtg} \times V_{ext}/10 \text{ (in V)}$$

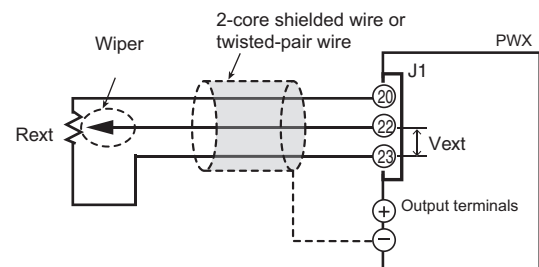
$$V_{ext} = 10 \times E_o/E_{rtg} \text{ (in V)}$$

### External resistance (Rext) connection

For the external resistance (Rext), use a resistor that is rated at approximately 10 kΩ, 1/2 W or greater, that has a low temperature coefficient, and that will change little over time. Examples of such resistors are metal film or wire wound resistors.

To reduce the influence of noise on the output, connect a 2-core shielded wire or a twisted-pair wire across Rext, and keep the wire as short as possible. If the wiring between the PWX750ML and the external contact is long, it becomes easy for noise to influence the operation of the PWX750ML. Even if you use cables that are designed to suppress noise, the PWX750ML may not operate properly.

If you use a shielded cable, connect the shield to the negative output terminal. Use pins 20, 22, and 23 of the J1 connector.



# Controlling the Output Current

This section explains how to control the output current using an external voltage ( $V_{ext}$ ) or an external variable resistor of approximately  $10\text{ k}\Omega$  ( $R_{ext}$ ).



**WARNING**

**Risk of electric shock.**

- The insulation of  $V_{ext}$  or  $R_{ext}$  and the connected cable must be greater than or equal than or equal to the isolation voltage of the PWX750ML ( $\pm 250\text{ V}_{max}$ ).
- When using shielded cables for the connection, protect the uncovered sections of the shielded cable by using insulation tubes whose withstand voltage is greater than the PWX750ML's isolation voltage.

## Control using an external voltage ( $V_{ext}$ )

See p.46

To use an external voltage ( $V_{ext}$ ) to control the output current, set the CC control using an external voltage or an external resistance in the CONFIG settings so that external voltage control is enabled (CF05: on).

The output current ( $I_o$ ) varies in the range of 0 to the rated output current ( $I_{rtg}$ ) when the external voltage ( $V_{ext}$ ) is changed in the range of 0 V to 5 V (CF07: Lo) or in the range of 0 V to 10 V (CF07: Hi).

External voltage ( $V_{ext}$ ) 0 V to 5 V (CF07: Lo)

$$I_o = I_{rtg} \times V_{ext}/5 \text{ (in A)}$$
$$V_{ext} = 5 \times I_o/I_{rtg} \text{ (in A)}$$

External voltage ( $V_{ext}$ ) 0 V to 10 V (CF07: Hi)

$$I_o = I_{rtg} \times V_{ext}/10 \text{ (in A)}$$
$$V_{ext} = 10 \times I_o/I_{rtg} \text{ (in A)}$$



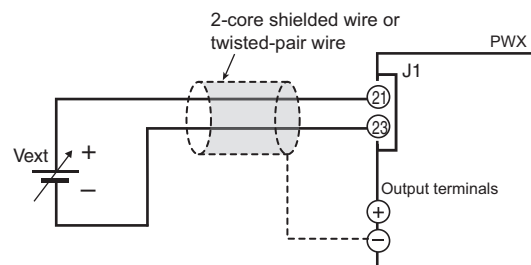
**CAUTION**

- The signal cable may burn out. Do not connect the  $V_{ext}$  output, that is, leave it floating. Risk of damage to the product.
- Pay careful attention to the polarity of  $V_{ext}$ .
- Do not apply a voltage of 10.5 V or greater, or a reverse voltage across the external voltage control pins.
- When using the optional isolated analog interface, do not connect anything to pin 21 (IPGM) of the J1 connector.

## External voltage source ( $V_{ext}$ ) connection

Connect a low-noise, stable voltage source to  $V_{ext}$ . The noise in  $V_{ext}$  is multiplied by the amplification factor of the PWX750ML and appears in the output. Therefore, the output ripple noise may not meet the specifications of the PWX750ML.

To reduce the influence of noise on the output, connect a 2-core shielded wire or a twisted-pair wire across  $V_{ext}$ , and keep the wire as short as possible. If the wiring between the PWX750ML and the external contact is long, it becomes easy for noise to influence the operation of the PWX750ML. Even if you use cables that are designed to suppress noise, the PWX750ML may not operate properly.



See p.65

If you use a shielded cable, connect the shield to the negative output terminal. If the shield needs to be connected to the Vext side, see “System that controls multiple PWXs with multiple Vexts.”

Use pins 21 and 23 of the J1 connector.

## Control using an external resistance (Rext)

See p.46

By using an external resistance (Rext) to change the reference voltage's voltage-divider ratio, you can change the output current (Io) in the range of 0 to the 105 % of the rated output current (Irtg).

To use an external resistance (Rext) to control the output current, set the CC control using an external voltage or an external resistance in the CONFIG settings so that external voltage control is enabled (CF05: on).

The output current (Io) varies in the range of 0 to the rated output current (Irtg) when the external voltage (Vext) is changed in the range of 0 V to 5 V (CF07: Lo) or in the range of 0 V to 10 V (CF07: Hi).

External voltage (Vext) 0 V to 5 V (CF07: Lo)

$$I_o = I_{rtg} \times V_{ext}/5 \text{ (in A)}$$

$$V_{ext} = 5 \times I_o/I_{rtg} \text{ (in A)}$$

External voltage (Vext) 0 V to 10 V (CF07: Hi)

$$I_o = I_{rtg} \times V_{ext}/10 \text{ (in A)}$$

$$V_{ext} = 10 \times I_o/I_{rtg} \text{ (in A)}$$

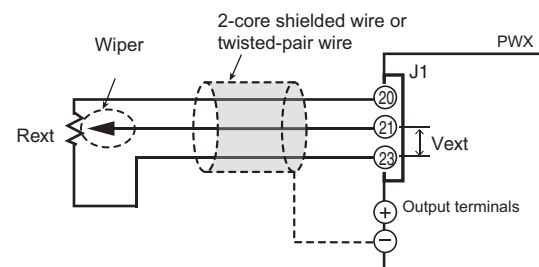
### External resistance (Rext) connection

For Rext, use a resistor that is rated at approximately 10 kΩ, 1/2 W or greater, that has a low temperature coefficient, and that will change little over time. Examples of such resistors are metal film or wire wound resistors.

To reduce the influence of noise on the output, connect a 2-core shielded wire or a twisted-pair wire across Rext, and keep the wire as short as possible. If the wiring is long, it becomes easy for noise to influence the operation of the PWX750ML. Even if you use wires that are designed to suppress noise, the PWX-750ML may not operate properly.

If you use a shielded cable, connect the shield to the negative output terminal.

Use pins 20, 21, and 23 of the J1 connector.



# Controlling the Output On and Off States

This section explains how to use an external contact to control the output on and off states.



## Risk of electric shock.

- The insulation of the external contact (S) and the connected cable must be greater than or equal to the isolation voltage of the PWX750ML ( $\pm 250$  Vmax).
- When using shielded cables for the connection, protect the uncovered sections of the shielded cable by using insulation tubes whose withstand voltage is greater than the PWX750ML's isolation voltage.

To reduce the influence of noise on the output, connect a 2-core shielded wire or a twisted-pair wire across the external contact, and keep the wire as short as possible. If the wiring is long, it becomes easy for noise to influence the operation of the PWX750ML. Even if you use wires that are designed to suppress noise, the PWX750ML may not operate properly.

If you use a shielded cable, connect the shield to the negative output terminal.

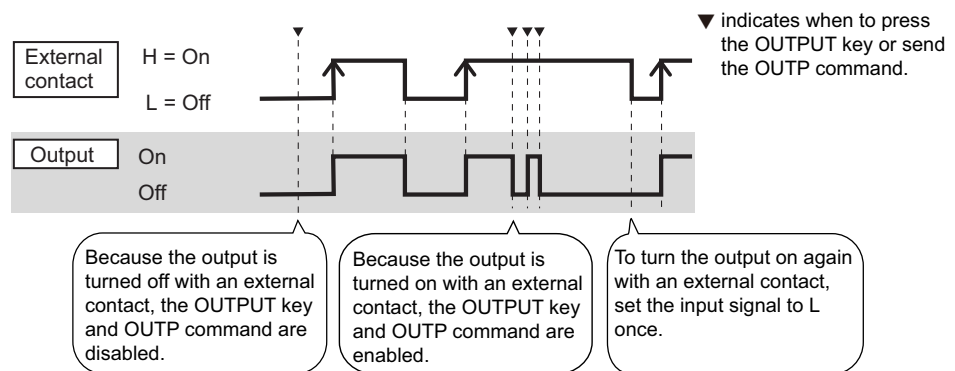
To use an external contact to control the output on and off states, set the appropriate CONFIG parameter (CF09: on). Then, select the logic setting from the following two options.

- Turn the output on at the falling edge of the LOW signal (CF10: Lo)  
Output is turned on when a LOW (0 V to 0.5 V) or short-circuit is applied to pin 1 of the J1 connector.
- Turn the output on at the rising edge of the HIGH signal (CF10: Hi)  
Output is turned on when a HIGH (4.5 V to 5 V) or open-circuit is applied to pin 1 of the J1 connector.

Output on/off control is performed by detecting rising edges or falling edges. Because it is not a level detection, if you want to turn on the output at startup, you need to apply a signal so that an edge is detected.

External contact, the OUTPUT key on the panel, and output on/off control using the OUTP command are enabled simultaneously. (For details on commands, see the Communication Interface Manual.)

Because output off is prioritized, if the output is turned off with an external contact, the OUTPUT key and OUTP command are disabled.



Controlling the output on and off states (in this example, a high signal is used to turn the output on)

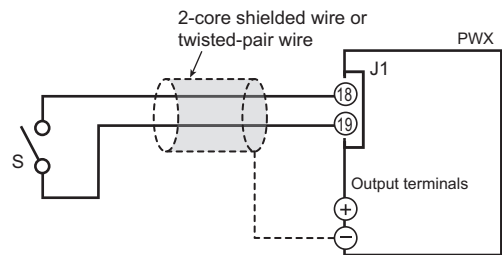
## External contact connection

Use pins 18 and 19 of the J1 connector.

The open-circuit voltage across pins 18 and 19 is approximately 5 V. The short-circuit current across pins 18 and 19 is approximately 0.5 mA.

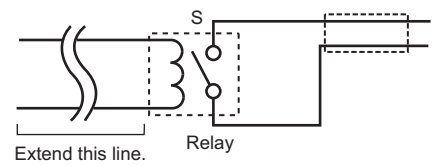
Use external contacts that have a contact rating of 0.5 mA or more at 5 Vdc.

If two or more units are floating and you are using a single external contact to turn output on and off for all the units, use a relay or similar device for the external contact signal to isolate the signal transmitted to each unit.



### ■ For long-distance wiring

When you are wiring over a great distance, use a small relay and extend the coil side of the relay.



# Controlling Output Shutdown

This section explains how to use an external contact to turn output off.



## Risk of electric shock.

- The insulation of the external contact (S) and the connected cable must be greater than or equal to the isolation voltage of the PWX750ML ( $\pm 250$  Vmax).
- When using shielded cables for the connection, protect the uncovered sections of the shielded cable by using insulation tubes whose withstand voltage is greater than the PWX750ML's isolation voltage.

To reduce the influence of noise on the output, connect a 2-core shielded wire or a twisted-pair wire across the external contact, and keep the wire as short as possible. If the wiring is long, it becomes easy for noise to influence the operation of the PWX750ML. Even if you use wires that are designed to suppress noise, the PWX750ML may not operate properly.

If you use a shielded cable, connect the shield to the negative output terminal.

If you apply a LOW (0 V to 0.5 V) or short-circuit to pin 6 of the J1 connector, the output turns off.

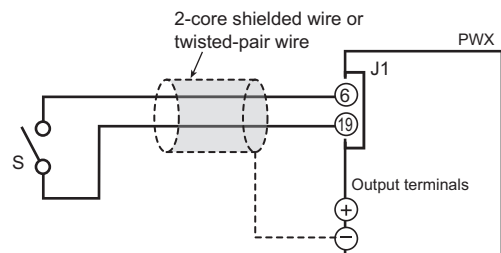
To recover, set pin 6 of the J1 connector to HIGH (4.5 V to 5 V) or open the pin, and then turn the POWER switch off and then on.

## Output shutdown connection

Use pins 6 and 19 of the J1 connector.

The open-circuit voltage across pins 6 and 19 is approximately 5 V. The short-circuit current across pins 6 and 19 is approximately 0.5 mA.

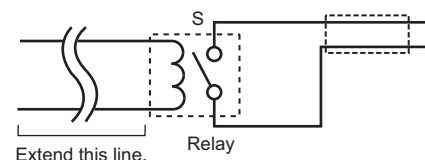
Use external contacts that have a contact rating greater than or equal to 0.5 mA at 5 Vdc.



If two or more units are floating, and you are using a single external contact to turn output off for all the units, use a relay or similar device for the external contact signal to isolate the signal transmitted to each unit.

### ■ For long-distance wiring

When you are wiring over a great distance, use a small relay and extend the coil side of the relay.





# Controlling the Clearing of Alarms

This section explains how to use an external contact to clear alarms.



## Risk of electric shock.

- The insulation of the external contact (S) and the connected cable must be greater than or equal to the isolation voltage of the PWX750ML ( $\pm 250$  Vmax).
- When using shielded cables for the connection, protect the uncovered sections of the shielded cable by using insulation tubes whose withstand voltage is greater than the PWX750ML's isolation voltage.

To reduce the influence of noise on the output, connect a 2-core shielded wire or a twisted-pair wire across the external contact, and keep the wire as short as possible. If the wiring is long, it becomes easy for noise to influence the operation of the PWX750ML. Even if you use wires that are designed to suppress noise, the PWX750ML may not operate properly.

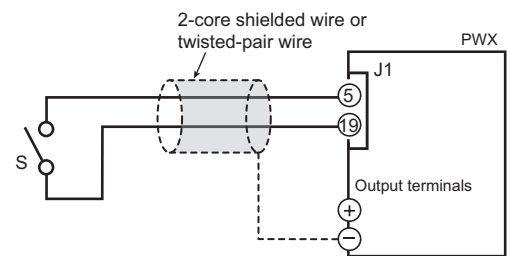
If you use a shielded cable, connect the shield to the negative output terminal.

If you apply a LOW (0 V to 0.5 V) or short-circuit to pin 5 of the J1 connector, the alarms will be cleared.

## Alarm clear connection

Use pins 5 and 19 of the J1 connector. The open-circuit voltage across pins 5 and 19 is approximately 5 V. The short-circuit current across pins 5 and 19 is approximately 0.5 mA.

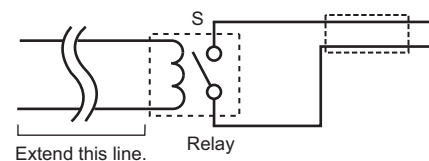
Use external contacts that have a contact rating greater than or equal to 0.5 mA at 5 Vdc.



If two or more units are floating, and you are using a single external contact to clear alarms, use a relay or similar device for the external contact signal to isolate the signal transmitted to each unit.

### ■ For long-distance wiring

When you are wiring over a great distance, use a small relay and extend the coil side of the relay.



# External Monitoring

## External monitoring of the output voltage and output current

The J1 connector has monitor outputs for the output voltage and the output current.

Pin no.	Signal name	Description
10, 19, 23	A COM	Remote control input common Output monitor common
25	V MON	Monitor output of output voltage 0 to approx. 5 V (CF08: Lo) or 0 to approx. 10 V (CF08: Hi) for 0 to the rated output voltage
24	I MON	Monitor output of output current 0 to approx. 5 V (CF08: Lo) or 0 to approx. 10 V (CF08: Hi) for 0 to the rated output current



Shorting V MON and I MON to A COM may damage the PWX750ML.

### Monitor output rating

Output impedance: 1 k $\Omega$  or less. Maximum output current: Approximately 10 mA.

The monitor output signals are used to monitor the DC voltage (mean value). They cannot be used to accurately monitor the AC components (such as ripple and transient response waveform) of the actual output voltage or current.

## External monitoring of the operation status

The J1 connector has status outputs that can be used to externally monitor the operation status of the PWX750ML. The following five items make up the status outputs.

The outputs are open collector outputs of photocouplers; they are isolated from the internal circuits of the PWX750ML.

The status common is floating (that is, it has an isolation voltage of less than or equal to 60 V).

If connected for master-slave parallel operation, STATUS COM (pin 1 of the J1 connector) of the master unit will be connected to A COM (pin 19 of the J1 connector) of the slave unit (it will no longer be floating). If the positive output terminal is connected to the chassis terminal in this condition, the status common will be at an electric potential that is lower than that of the chassis terminal by the output voltage. Because the positive output terminal is at ground potential, secure an insulation capacity greater than or equal to this product's isolation voltage relative to the chassis.

The maximum ratings of the signal terminals are as follows:

Maximum voltage: 30 V. Maximum current (sink): 8 mA.

Pin no.	Signal name	Description	Circuit
1	STATUS COM	This is the status output common. This is the photocoupler emitter output.	
2	CV STATUS	This is set to low level when the PWX750ML is in constant voltage mode. This is the photocoupler open collector output.	
3	CC STATUS	This is set to low level when the PWX750ML is in constant current mode. This is the photocoupler open collector output.	
14	ALM STATUS	This is set to low level when a protection function (OVP/ OVP2/ OCP/ OHP/ FAN/ SEN/ AC-FAIL/ SD) is activated. This is the photocoupler open collector output.	
15	PWR ON STATUS	This is set to low level when the PWX750ML is turned on (PWR ON STATUS). This is the photocoupler open collector output.	
16	OUT ON STATUS	This is set to low level when the output is turned on. This is the photocoupler open collector output.	



This page is intentionally blank.





# 4

---

## Parallel/Series Operation

This chapter describes the functions of series operation and the master-slave parallel operations as well as the connection, setup, and operation procedures.

# Master-Slave Parallel Operation

In master-slave parallel operation, one unit is the master unit, and all other units connected in parallel are slave units. The master and slave units must all be the same model. You can control the whole system by operating the master.

You can use master-slave parallel operation to expand the output current (maximum output current: the rated output current of one unit × the number of units connected in parallel).

You can connect up to four units, including the master, in parallel.

The difference in the output voltage and output current between the master unit and the slave units is within approximately 5 % of the rating.

## ⚠ CAUTION

When using the PWX750ML independently or when there are units not using parallel operation, disconnect the parallel operation connections. Otherwise, the PWX750ML may not operate properly.

## Features of the PWX750ML during master-slave parallel operation

The features of the PWX750ML during master-slave parallel operation are as follows:

### Voltage display and current display

The voltmeter on the master unit displays the voltage. The last voltage that was set on the master unit is displayed. The voltmeters on the slave units display “SLAV.”

The master unit’s ammeter displays the total of the currents of all the units connected in parallel.

For slave units, the current display of each slave unit can be set (CF19: OFF/ON).

If the maximum output current exceeds 99.99, the maximum current is displayed as 999.9.

You can switch the display so that it shows power. The master unit’s ammeter displays the total of the powers of all the units connected in parallel.

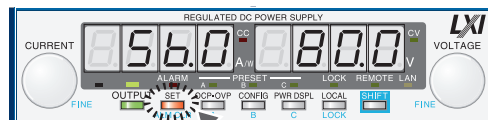
For slave units, the power display of each slave unit can be set (CF19: OFF/ON).

If the number of units during master-slave parallel operation that has been specified in the CONFIG settings (CF01) does not match the actual number of units connected in parallel, the correct current will not be displayed.

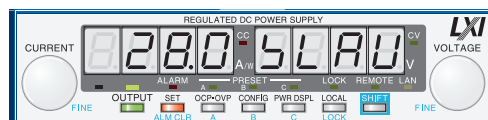
See p.49

See p.26, p.49

See p.44



Master unit



Slave unit

Example of the panel display during parallel operation (The output current is 56 A.)

## External control

 Chapter

This is only available on the master unit.

## External monitoring



During master-slave parallel operation, do not connect the monitor common cable of the master unit to the monitor common cables of the slave units. If the cables connected to the load are disconnected, the common cables will be damaged.

 p.74

- External monitoring of the output voltage (V MON)  
This can be monitored from the master unit.
- External monitoring of the output current (I MON)  
You can monitor the output current of the master unit and each slave unit. Use the master unit to monitor the total output current.
- Status monitors  
You can monitor the status of the following items from the master unit and from each slave unit: constant-voltage mode (CV STATUS), constant-current mode (CC STATUS), output on, POWER switch on, and alarms. However, slave units always output the status of constant-current mode.

## Remote sensing

 p.22

This is only available on the master unit.

## Alarm

If an alarm is detected, the units behave as follows:

- Master unit  
If an alarm is detected on the master unit, output of each slave unit is turned off, and then the output of the entire system is turned off.
- Slave unit  
The slave unit independently enters the alarm state and turns its output off.  
The output does not turn off on the master and other slave units.

 p.35

You can use the CONFIG settings to specify what happens when the output is turned off because an alarm is detected. You can select to turn the output on automatically when the problem that caused the alarm is fixed (CF03: Auto) or to leave the output turned off when the problem is fixed (CF03: SAFE). (This parameter only applies to the OHP, FAN, and AC-FAIL errors.)

### ■ Clearing alarms

 p.35, p.83

To clear alarms, (1) press ALM CLR (SHIFT+SET); (2) set pin 5 of the J1 connector to LOW (0 V to 0.5 V) or shorted; or (3) turn off the slave units, turn off the master unit, fix the problem that caused the alarm, turn on the slave units, and then turn on the master unit.

## Connection (master-slave parallel operation)

See p.14

You can connect up to four units, including the master unit.

### Connecting the signal cables (parallel operation)

See p.62

Use the J1 connector to make the connections for parallel operation.

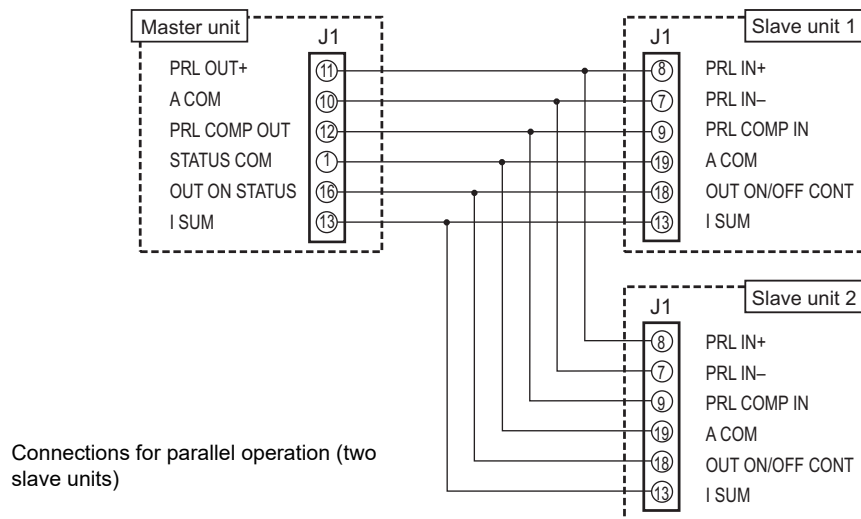
The cables that are required to make the connection are not included. For details, see “About the J1 Connector.”

See p.111

If you are using the optional parallel operation signal cable (PC01, PC02, or PC03-PWX), the connector is already assembled, so you can use it as is.

If connected for master-slave parallel operation, STATUS COM (pin 1 of the J1 connector) of the master unit will be connected to A COM (pin 19 of the J1 connector) of the slave unit (it will no longer be floating). If the positive output terminal is connected to the chassis terminal in this condition, the status common will be at an electric potential that is lower than that of the chassis terminal by the output voltage. Because the positive output terminal is at ground potential, secure an insulation capacity greater than or equal to this product’s isolation voltage relative to the chassis.

Example of connecting two slave units



- 1** Decide which PWX750ML to use as the master unit.
- 2** Connect the J1 connector on the rear panel of the master unit to the J1 connector on the rear panel of the first slave unit.  
If you are using the optional parallel operation signal cable (PC01, PC02, or PC03-PWX), the connector is already assembled, so you can use it as is.
- 3** Connect the J1 connector on the rear panel of the first slave unit to the J1 connector on the rear panel of the second slave unit.  
If you are using the optional parallel operation signal cable (PC01, PC02, or PC03-PWX), the connector is already assembled, so you can use it as is.

If you have a third slave unit, connect it in the same manner.



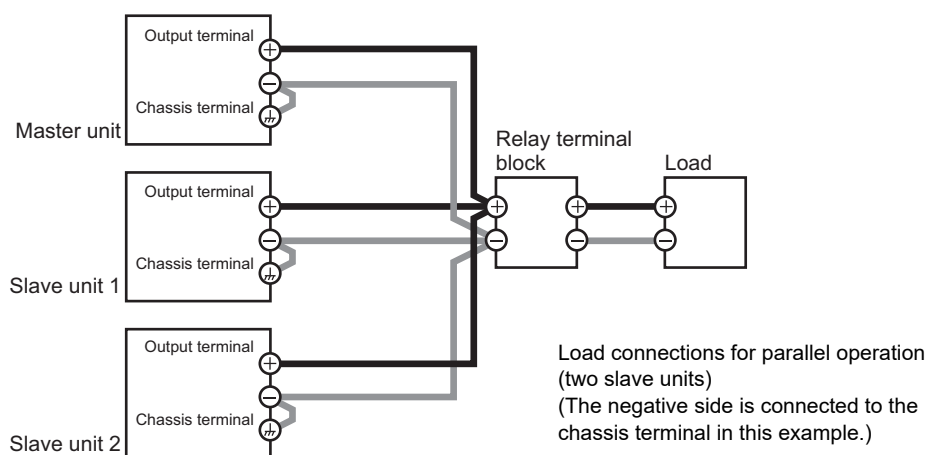
## Connecting the load (parallel operation)



**WARNING** Risk of electric shock. Turn the POWER switch off before you touch the OUTPUT terminals. Attach the OUTPUT terminal cover after you finish wiring the load.



- When you connect the output terminals to the chassis terminals, be sure to connect the same polarity output terminals (positive or negative) of the master unit and the slave units to the chassis terminals. If you connect different polarity output terminals of the master unit and the slave units to the chassis terminal, the output will be grounded through the power cable's GND wire. Not only will this make the output incorrect, it will also cause the chassis terminal cable to burn out.
- When the load cables are distributed over longer distance, the phase shifting due to wiring inductance and capacitance may go beyond the limit and result in oscillation. To prevent such oscillation, connect an electrolytic capacitor with several hundreds to several tens of thousands  $\mu\text{F}$  across the load. Use an electrolytic capacitor that has a withstand voltage that is at least 120 % of the product's rated output voltage.
- Twist the positive and negative cables together, and make the connection to the load as short as possible. Oscillation may occur as a result of wiring inductance.



- Turn off all the PWX750MLs that you want to connect in parallel.
- Remove the OUTPUT terminal covers.
- Connect the load cables to the output terminals of the master unit and the slave units.
- Connect the load cables of the master unit and slave units to the load through a relay terminal block.

Use load cables that have sufficient current capacity. Use load cables of equivalent length and cross-sectional area to connect each power supply to the relay terminal block, and wire the cables so that they are as short as possible (50 cm or less). Also, make the connection from the relay terminal block to the load block as short as possible.

Wire the J1 connector signal cables and the load cables as far apart as possible.

- Connect the output terminals (positive or negative) of the master unit and the slave units to the chassis terminals.

Connect the same polarity output terminals on the master unit and slave units.

If you are using the units under floating conditions, do not connect the terminals.

See p.17

## 6 Attach the OUTPUT terminal covers.

If you have a third and fourth slave unit, connect them in the same manner.

## Settings (master-slave parallel operation)

---

### Setting the master unit, the slave units, and the number of units in parallel operation (including the master unit)

See p.44

Turn the output off, and then configure the master unit (CF01: 2 to 4) and the slave units (CF01: SLAV) in master-slave parallel operation. On the master unit, set the number of units in master-slave parallel operation (CF01: 2 to 4).

In the factory default settings, the PWX750ML is set to independent operation (CF01: 1).

Turn the POWER switch off and on to enable the setting.

Be sure to set the number of units in master-slave parallel operation (CF01) to the actual number of units that are connected. If this parameter is incorrect, settings such as those for the current and the overcurrent protection (OCP) cannot be set correctly, and the measured current will not be displayed correctly.

### Setting the voltage and current

See p.78

Use the master unit to set the voltage and current.

The current that is output is the sum of the currents of the master unit and the slave units.

When you set the number of units in master-slave parallel operation (CF01), the maximum output current (105 % of the rated output current of a single unit × the number of units in parallel) is set. If you switch to the setting display (when the SET key is lit), this value is displayed. The last voltage that was set on the master unit is used. When you press OUTPUT, the set voltage and current are output. You can set the voltage and current to any values.

### Setting the overvoltage protection (OVP) and overcurrent protection (OCP) of the master unit

See p.36

When you are performing master-slave parallel operation, set the overvoltage protection (OVP) and overcurrent protection (OCP) of the master unit.

When you set the number of units in master-slave parallel operation (CF01), the maximum overcurrent protection value (112 % of the rated output current of a single unit × the number of units in parallel) is set. If you switch to the OVP/OCP setting display (when the OCP•OVP key is lit), this value is displayed. The last overvoltage protection value that was set on the master unit is used.

## CONFIG parameters that can be set on master units

- CF00 Resets the panel settings
- CF02 Power-on status parameter
- CF04 Memory content display parameter
- CF05 CC control using an Vext or Rext
- CF06 CV control using an Vext or Rext
- CF07 CV/CC control range parameter
- CF09 External control parameter for turning output on and off
- CF10 External control logic parameter for turning output on and off
- CF12 Output-on startup state parameter
- CF14 Current setting limit
- CF15 Voltage setting limit

## Starting master-slave parallel operation

# 4

### Turning power on

- 1 Turn the master unit's POWER switch on.**
- 2 Turn the POWER switch of each slave unit on.**
- 3 Operate the master unit normally.**  
Turn output on and off from the master unit.

### Turning power off

**⚠ CAUTION** After you turn the POWER switch off, wait at least 10 seconds after the panel display turns off before you turn the POWER switch back on. Repeatedly turning the POWER switch on and off at short intervals can cause damage to the inrush current limiter. In turn, this will shorten the service life of the POWER switch, internal input fuse, and other components.

- 1 Turn the slave unit's POWER switch off.**
- 2 Turn the master unit's POWER switch off.**

# Series Operation

You can connect up to two units in series. You cannot perform master-slave series operation. The total of the output voltages of the two units is applied to the load. The voltage setting accuracy is the same as the accuracy of an individual unit.

## Features of the PWX750ML during series operation

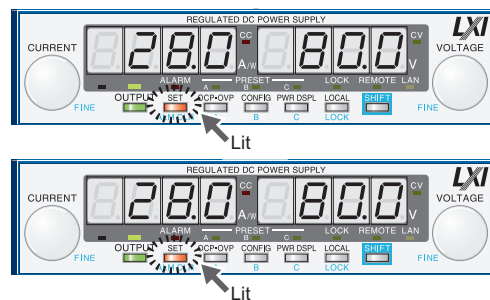
The features of the PWX750ML during series operation are as follows:

### Voltage display and current display

The voltage and current are displayed on unit 1 and unit 2. To calculate the total output voltage, add the voltages of unit 1 and unit 2.

See p.26

You can switch the display so that it shows power. The power is displayed on unit 1 and unit 2.



Unit 1

Unit 2

Example of the panel display during series operation (The output current is 28 A.)

### External control

See Chapter

This is available.

### External monitoring



**During monitoring, be careful of shorts and electric shocks. When monitoring the output voltage or output current during master-slave series operation, the electric potential of the commons of the master unit's monitor signal and the slave unit's monitor signal are different.**

See p.74

- External monitoring of the output voltage (V MON)  
You can monitor the output voltage of each unit.  
To calculate the total output voltage, add the monitor values of the master unit and the slave unit.
- External monitoring of the output current (I MON)  
This can only be monitored from the master unit.
- Status monitors  
You can monitor the status of the following items from the master unit and from the slave unit: constant-voltage mode (CV STATUS), constant-current mode (CC STATUS), output on, POWER switch on, and alarms.

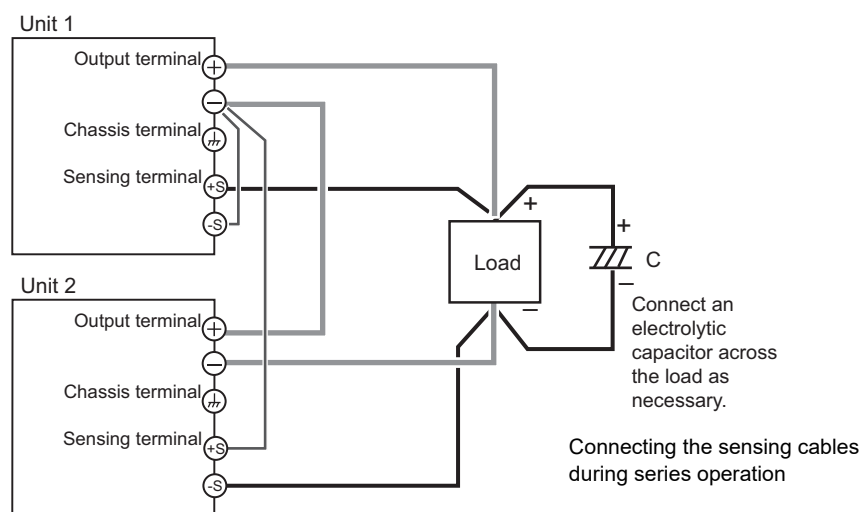
## Remote sensing

See p.22

To perform remote sensing, connect the PWX750MLs in series, and then connect the sensing cables to them as shown in the following figure.

### CAUTION

- If the sensing cables are not connected properly, the load may be exposed to excessive voltage, and the PWX750MLs may be damaged.
- When the load cables are distributed over longer distance, the phase shifting due to wiring inductance and capacitance may go beyond the limit and result in oscillation. To prevent such oscillation, connect an electrolytic capacitor with several hundreds to several tens of thousands  $\mu\text{F}$  across the load. Use an electrolytic capacitor with a withstand voltage that is 120% or more of the total of the rated output voltages of the PWX750MLs that are connected in series.



## Alarm

All the alarms that are detected on a single unit are also detected during series operation.

See p.45

You can use the CONFIG settings to specify what happens when the output is turned off because an alarm is detected. You can select to turn the output on automatically when the problem that caused the alarm is fixed (CF03: Auto) or to leave the output turned off when the problem is fixed (CF03: SAFE).

### ■ Clearing alarms

See p.35, p.87

To clear alarms, (1) press ALM CLR (SHIFT+SET); (2) set pin 5 of the J1 connector to LOW (0 V to 0.5 V) or shorted; or (3) turn off unit 1 and unit 2, fix the problem that caused the alarm, and then turn on unit 1 and unit 2.

## Connection (series operation)

See p.14

You can connect up to two units.

### Connecting the load (series operation)

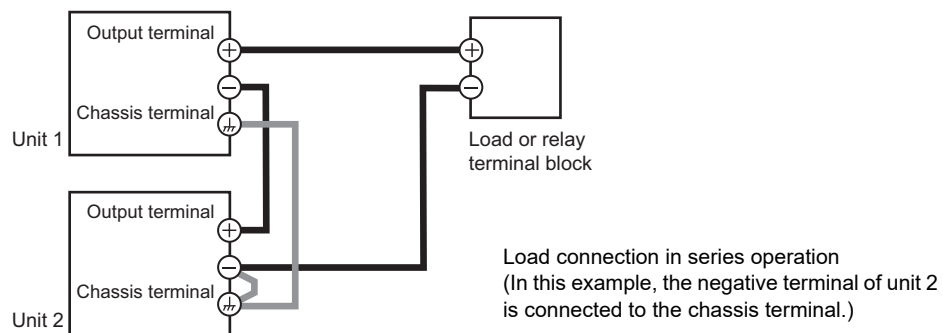
Connect the load as shown below.



**WARNING** Risk of electric shock. Turn the **POWER** switch off before you touch the **OUTPUT** terminals. Attach the **OUTPUT** terminal cover after you finish wiring the load.



When the load cables are distributed over longer distance, the phase shifting due to wiring inductance and capacitance may go beyond the limit and result in oscillation. To prevent such oscillation, connect an electrolytic capacitor with several hundreds to several tens of thousands  $\mu\text{F}$  across the load.  
Use an electrolytic capacitor with a withstand voltage that is 120% or more of the total of the rated output voltages of the PWX750MLs that are connected in series.



- 1** Turn off all the PWX750MLs that you want to connect in series.
- 2** Remove the **OUTPUT** terminal covers.
- 3** Use load cables to connect unit 1 and unit 2 to the load or relay terminal block.  
Use load cables that have sufficient current capacity. Wire the load cables so that they are as short as possible. If the voltage drop in the load cable is large, the difference in electric potential between power supply units and the load effect become large.
- 4** Connect the cables to the output terminals of unit 1 and unit 2.
- 5** Connect the output terminal (positive or negative) of unit 1 or unit 2 to the chassis terminal.
- 6** Attach the **OUTPUT** terminal cover.

See p.17

## Settings (series operation)

### Setting the voltage and current

Set the voltage and current on each unit. The voltage that is output is the total of the voltages of the two units. Set the current to the same value on the two units.

### Setting the overvoltage protection (OVP) and overcurrent protection (OCP)

 p.36

In series operation, you have to set the overvoltage protection (OVP) and overcurrent protection (OCP) on both units. Specify the same values on the two units.

## Starting series operation

### Turning the power on and off

Turn the POWER switch on unit 1 and unit 2 on or off.

 **CAUTION**

After you turn the POWER switch off, wait at least 10 seconds after the fan stops before you turn the POWER switch back on. Repeatedly turning the POWER switch on and off at short intervals can cause damage to the inrush current limiter. In turn, this will shorten the service life of the POWER switch, internal input fuse, and other components.

### Turning the output on and off

Press OUTPUT on unit 1 and unit 2 to turn the output on or off.



This page is intentionally blank.







# 5

---

## Maintenance

This chapter explains how to perform calibration.

# Calibration

The PWX750ML is calibrated before shipment. To maintain long-term performance, we recommend periodic calibration.

For calibration, contact your Kikusui agent or distributor.

If you are going to calibrate the PWX750ML yourself, follow the procedures below. All of the calibration items of the PWX750ML are described.

## Calibration overview

The following eight calibration items are available.

Be sure to calibrate both the offset and full scale values.

- Output voltage offset (10 %)
- Voltmeter offset (0 %)
- Output current offset (10 %)
- Ammeter offset (0 %)
- Output voltage full scale (100 %)
- Voltmeter full scale (100 %)
- Output current full scale (100 %)
- Ammeter full scale (100 %)

## Required devices

- DC voltmeter (DVM) with a measurement accuracy of 0.02 % or more
- Shunt resistor

Model	Recommended shunt resistor	
	Rating	Tolerance
PWX750ML	30 A / 50 mV (1.67 mΩ)	< ±0.1 %

## Environment

Perform calibration in the following environment.

- Temperature: 23 °C ± 5 °C
- Humidity: 80 %rh or less

To minimize the calibration error due to initial drift, warm up the PWX750ML for at least 30 minutes before calibration. In addition, warm up the DVM and shunt resistor for as long as is necessary.

## Calibration procedure

Use the “KIKUSUI PWX calibration” application software included on the CD-ROM to calibrate the PWX750ML. The system requirements for the “KIKUSUI PWX calibration” is below.

### ■ OS

- Windows7 (x86/ x64)
- Windows Vista (x86/ x64)
- Windows XP—SP2 (x86), .NET Framework 2.0 or later

### ■ VISA library

One of the following VISA libraries is required. Do not install multiple VISA libraries on the same PC. Doing so may cause errors.

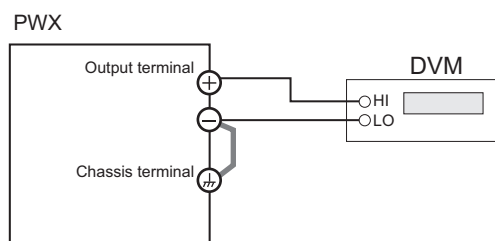
- NI-VISA by National Instruments Corporation (Ver. 5.0.3 or later)
- Agilent VISA by Agilent Technologies (Agilent IO Libraries Suite 16.0 or later)
- KI-VISA Ver. 5.0.4 or later

For details, see the PWX Calibration—Manual that is installed together with the application software for calibrating the PWX750ML.

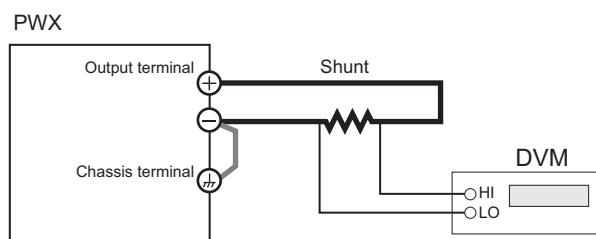
Be sure to go through all the calibration items. If you cancel the calibration item in progress to initiate a different item or if you turn the POWER switch off, the calibration will be invalid.

## Connection

- Voltage calibration



- Current calibration





This page is intentionally blank.





# 6

---

## Specifications

This chapter contains the specifications and gives the dimensions of the PWX-750ML.

Unless specified otherwise, the specifications are for the following settings and conditions.

- Loads are pure resistive loads.
- The warm-up time is 30 minutes (with current flowing).
- After the PWX750ML has been warmed up, it must be calibrated correctly in a 23 °C ± 5 °C environment according to the procedures given in the operation manual.
- Values indicated by “TYP” are typical values. They are not guaranteed performance values.
- Values indicated by “rtg” are rated values.
- Values indicated by “rdng” are readout values.
- The PWX750ML operates over a wide range of output voltage and output current within rated output power. However, the current that can be output with rated output voltage and the voltage that can be output with rated output current are limited by the rated output power.
- The current that can be output with rated output voltage and the voltage that can be output with rated output current are as follows.

Maximum output current with rated output voltage = Rated output power/rated output voltage.  
 Maximum output voltage with rated output current = Rated output power/rated output current.

- Rated load and no load are defined as follows:

In constant-voltage mode (when the output current is set to a value greater than or equal to the maximum output current with rated output voltage)

**Rated load:** Refers to a resistive load that, when the rated output voltage is applied, makes the flowing current 95 % to 100 % of the maximum output current with rated output voltage.

**No load:** Refers to a load through which no output current flows. In other words, refers to an open load (no load being connected).

In constant-current mode (when the output voltage is set to a value greater than or equal to the maximum output voltage with rated output current)

**Rated load:** Refers to a resistive load that, when the rated output current flows, makes the voltage drop to 95 % to 100 % of the maximum output voltage with rated output current. Including the voltage drop in the load cables, the PWX750ML output voltage must not exceed the maximum output voltage with rated output current.

**No load:** Refers to a resistive load that, when the rated output current flows, makes the voltage drop to 10 % of the maximum output voltage with rated output current or 1 V whichever is higher.

- The specifications of the PWX750ML apply to the rear panel output terminals.

## AC input

Nominal input rating	100 Vac to 240 Vac, 50 Hz to 60 Hz, single phase	
Input voltage range	85 Vac to 265 Vac	
Input frequency range	47 Hz to 63 Hz	
Current (MAX) <sup>1</sup>	100 Vac	10.5 A
	200 Vac	5.25 A
Inrush current <sup>2</sup>	70 A or less	
Power (MAX) <sup>3</sup>	1100 VA	
Power factor (TYP) <sup>1</sup>	0.99 (input voltage: 100 V), 0.97 (input voltage: 200 V)	
Efficiency <sup>1</sup>	74 % or greater	
Output hold time <sup>3</sup>	20 ms or greater	

1 With the rated load.

2 Excludes the charge current component that flows through the capacitor of the internal EMC filter circuit immediately after the POWER switch is turned on (for approximately 1 ms).

3 For all loads, with 100 Vac input.

## Output

Rating	Output voltage <sup>1</sup>		80 V
	Output current <sup>1</sup>		28 A
	Output power		750 W
Voltage	Setting range		0 V to 84 V
	Setting accuracy		± (0.05 % of setting + 0.05 % of rtg)
	Line regulation <sup>2</sup>		±10 mV
	Load regulation <sup>3</sup>		±10 mV
	Transient response <sup>4</sup>		1 ms or less
	Ripple noise <sup>5</sup>	(p-p) <sup>6</sup>	80 mV
		(rms) <sup>7</sup>	8 mV
	Rise time	Rated load	100 ms
		No load	100 ms
	Fall time <sup>8</sup>	Rated load	100 ms
		No load	550 ms
	Maximum remote sensing compensation voltage (single line)		4 V
Temperature coefficient (MAX) <sup>9</sup>		100 ppm/°C (during external control)	
Current	Setting range		0 A to 29.4 A
	Setting accuracy		± (0.5 % of setting + 0.1 % of rtg)
	Line regulation		±4.8 mA
	Load regulation		±10.6 mA
	Ripple noise <sup>10</sup>	(rms) <sup>7</sup>	65 mA
	Temperature coefficient (TYP) <sup>9</sup>		100 ppm/ °C

- 1 The maximum output voltage and current are limited by the maximum output power.
- 2 85 Vac to 135 Vac or 170 Vac to 265 Vac, fixed load
- 3 The amount of change that occurs when the load is changed from no load to rated load (rated output power/rated output voltage) with rated output voltage. The value is measured at the sensing point.
- 4 The amount of time required for the output voltage to return to a value within "rated output voltage ± (0.1 % + 10 mV)." The load current fluctuation is 50 % to 100 % of the maximum current with the set output voltage.
- 5 Measured using an RC-9131C probe that conforms to the JEITA specifications. At the rated output current.
- 6 When the measurement frequency bandwidth is 10 Hz to 20 MHz.
- 7 When the measurement frequency bandwidth is 5 Hz to 1 MHz.
- 8 When the breeder circuit on/off setting is on.
- 9 When the ambient temperature is within 0 °C and 50 °C
- 10 When the output voltage is 10 % to 100 % of the rating. At the rated output current.

## Display function

Voltage display	Maximum display	99.99 (fixed decimal point)
	Display accuracy	$\pm(0.2\% \text{ of rdng} + 5 \text{ digits})$
Current display	Maximum display	99.99 (fixed decimal point)
	Display accuracy	$\pm(0.5\% \text{ of rdng} + 5 \text{ digits})$
Power display <sup>1</sup>		The PWR DSPL key lights in red.
Maximum display		9999
Display accuracy		Displays the result of multiplying the current and voltage
Operation display	OUTPUT ON/OFF	Output on:OUTPUT LED lights in green. Output off:OUTPUT LED turns off. The output is on and a protection function has been activated: OUTPUT LED blinks in orange.
	CV operation	CV LED lights in green.
	CC operation	CC LED lights in red.
	Alarm operation	ALM LED lights in red when a protection function has been activated. ALM LED blinks in red when the power limit (POWER LIMIT) has been activated.
	Remote operation	REMOTE LED lights in green during remote control.
	LAN operation	LAN LED lights or blinks depending on the LAN communication status. No fault status: Lights in green. Fault status: Lights in red. Standby status: Lights in orange. WEB identify status: Blinks green.
	Key lock operation	LOCK LED lights in green when the keys are locked.
	Preset memory	When a preset memory entry is being used, the PRESET A, B, or C LED lights in green.

- 1 Press PWR DSPL to display the power on the ammeter. Each time you press this key, the display switches between power and current.



## Protection functions

Overvoltage protection (OVP)	Turns the output off, displays OVP, and lights ALM	
	Setting range	8 V to 89.6 V (10 % to 112 % of the rated output voltage)
	Setting accuracy	±(1.5 % of rtg)
Overvoltage protection 2 (OVP2)	Turns the output off, displays OVP2, and lights ALM	
	Value (fixed)	96 V (120 % of the rated output voltage)
Overcurrent protection (OCP) <sup>1</sup>	Turns the output off, displays OCP, and lights ALM	
	Setting range	2.8 A to 31.36 A (10 % to 112 % of the rated output current)
	Setting accuracy	±(3 % of rtg)
Undervoltage limit (UVL)	Cannot be set to a value less than or equal to the set voltage	
	Value	0 V to 84 V (0 % to 105 % of the rated output voltage)
Overheat protection (OHP)	Turns the output off, <sup>2</sup> displays OHP, and lights ALM	
Fan failure protection (FAN)	Turns the output off, <sup>2</sup> displays FAN, and lights ALM	
Incorrect sensing connection protection (SENSE)	Turns the output off, displays SENS, and lights ALM	
Low AC input protection (AC-FAIL)	Turns the output off, <sup>2</sup> displays AC, and lights ALM	
Shutdown (SD)	Turns the output off, displays SD, and lights ALM	
Power limit (POWER LIMIT)	Lights ALM	
	Value (fixed)	787.5 W (approx. 105 % of the rated output power)
Communication monitoring (WATCHDOG)	Turns the output off, displays DOG, and lights ALM	

- 1 This does not protect against the discharge current peak that is generated from the capacitors inside the PWX750ML output section when the load is changed suddenly.
- 2 Use the CONFIG settings to specify what happens when a protection function is activated and the output is turned off. You can select to turn the output on automatically when the problem that caused the alarm is fixed (CF03: Auto) or to leave the output turned off when the problem that caused the alarm is fixed (CF03:SAFE). The specified protection operation is the same for the OHP, FAN, and AC-FAIL alarms. You cannot make separate settings for the OHP, FAN, and AC-FAIL alarms.

## Signal output

Monitor signal output <sup>1</sup>	Voltage monitor (VMON)	Selectable monitor voltage range: 0 V to 5 V or 0 V to 10 V	
		Setting accuracy	2.5 % of rtg
	Current monitor (IMON)	Selectable monitor voltage range: 0 V to 5 V or 0 V to 10 V	
		Setting accuracy	2.5 % of rtg
Status signal output <sup>1,2</sup>	OUTON STATUS	Turns on when the output is on	
	CV STATUS	Turns on during CV operation	
	CC STATUS	Turns on during CC operation	
	ALM STATUS	Turns on when an alarm has been activated	
	PWR ON STATUS	Turns on when the power is turned on	

- 1 J1 connector on the rear panel
- 2 Photocoupler open collector output; maximum voltage 30 V, maximum current (sink) 8 mA; isolated from the output and control circuits; status commons are floating (withstand voltage of less than or equal to 60 V); and status signals are not mutually isolated.

### Control features

External control <sup>1</sup>	Output voltage control (VPGM)	0 % to 100 % of the rated output voltage Selectable control voltage range: 0 V to 5 V or 0 V to 10 V
	Accuracy	5 % of rtg
	Output current control (IPGM)	0 % to 100 % of the rated output current Selectable control voltage range: 0 V to 5 V or 0 V to 10 V
	Accuracy	5 % of rtg
	Output on/off control OUTPUT ON/OFF CONT	Possible logic selections: Turn the output on using a LOW (0 V to 0.5 V) or short-circuit, turn the output off using a HIGH (4.5 V to 5 V) or open-circuit. Turn the output on using a HIGH (4.5 V to 5 V) or open-circuit, turn the output off using a LOW (0 V to 0.5 V) or short-circuit.
	Output shutdown control SHUT DOWN	Turns the output off with a LOW (0 V to 0.5 V) or short-circuit.
Alarm clear control ALM CLR	Clears alarms with a LOW (0 V to 0.5 V) or short-circuit.	

1 J1 connector on the rear panel

### Other features

Master-slave parallel operation	Including the master unit, up to four units (all the same model) can be connected.	
Series operation	Up to two units (all the same model) can be connected.	
Preset memory	Up to three sets of the following settings can be saved: the set voltage, the set current, the set OVP, the set OCP, and the set UVL.	
Key lock	Locks the operation of all keys other than the OUTPUT key.	
Multichannel (VMCB)	Between master unit and PC	LAN, USB, RS232C
	Slave unit	LAN

## Interface

Common specifications	Software protocol	IEEE Std 488.2-1992
	Command language	Complies with SCPI Specification 1999.0 Has a compatibility mode (switchable) <sup>1</sup> <ul style="list-style-type: none"> <li>• Genesys series made by TDK-Lambda</li> <li>• N5700 and N8700 made by Agilent Technologies</li> <li>• DSC series made by Sorensen</li> <li>• PAG series made by Kikusui</li> </ul>
RS232C	Hardware	Complies with the EIA232D specifications (excluding the connector)
		RJ-45 connector <sup>2</sup>
		Baud rate:1200, 2400, 4800, 9600, 19200, 38400, 57600, and 115200 bps
		Data length: 8 bits, Stop bits: 1 bit, Parity bit: None
	No flow control	
Program message terminator	LF during reception, CR/LF during transmission	
USB	Hardware	Complies with the USB 2.0 specifications. Baud rate:480 Mbps (High speed).
		Socket B type
	Program message terminator	LF or EOM during reception, LF + EOM during transmission
	Device class	Complies with the USBTMC-USB488 device class specifications
LAN	Hardware	IEEE 802.3 100Base-TX or 10Base-T Ethernet Complies with LXI Specification version 1.3 Class C
		IPv4, RJ-45 connector <sup>3</sup>
	Communication protocol	VXI-11, HiSLIP, or SCPI-RAW
	Program message terminator	VXI-11 and HiSLIP:LF or END during reception, LF + END during transmission SCPI-RAW:LF during reception, LF during transmission

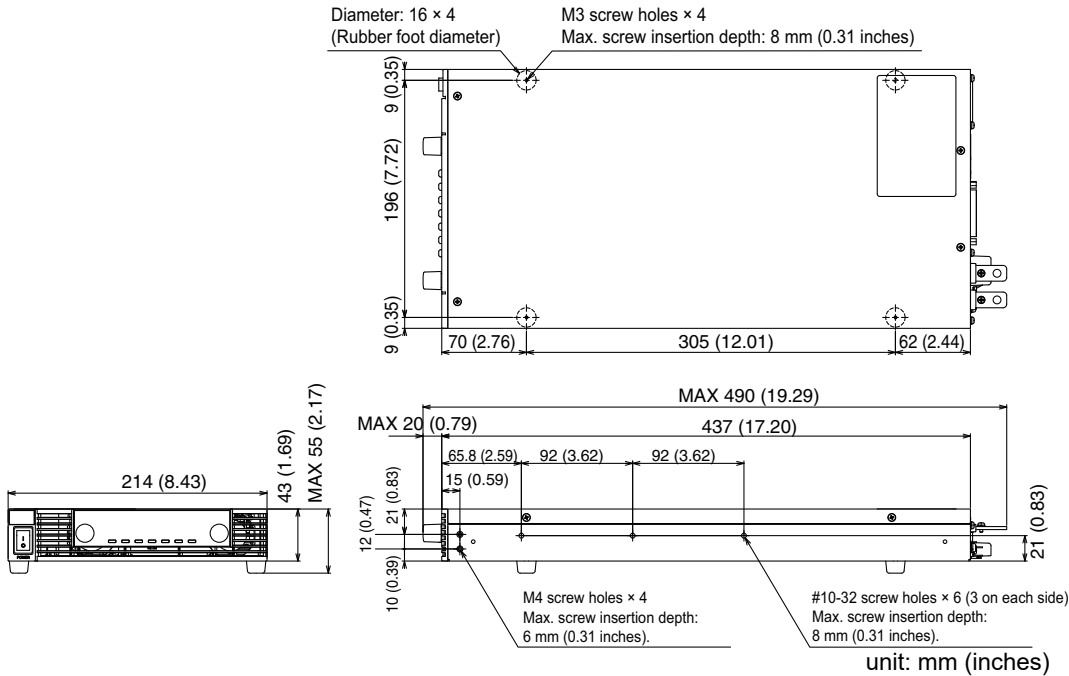
- 1 This setting does not guarantee compatibility with all measuring instrument application software and drivers.
- 2 The RD-8P/ 9P adapter cable is an option.
- 3 Category 5; use a straight cable.

## General

Weight (main unit only)		Approximately 5 kg (11.02 lb)
Dimensions		See the outline drawing
Environmental conditions	Operating environment	Indoor use, overvoltage category II
	Operating temperature	0 °C to +50 °C (32 °F to +122 °F)
	Operating humidity	20 %rh to 85 %rh (no condensation)
	Storage temperature	-20 °C to +70 °C (-4 °F to +158 °F)
	Storage humidity	90 %rh or less (no condensation)
	Altitude	Up to 2000 m
Cooling method		Forced air cooling using fan
Grounding polarity		Negative grounding or positive grounding possible
Isolation voltage		±250 V max.
	Isolated Analog Interface <sup>1</sup>	±60 V max
Withstand voltage	Between input and FG	No abnormalities at 1500 Vac for 1 minute
	Between input and output	No abnormalities at 2000 Vac for 1 minute
	Between output and FG	No abnormalities at 500 Vdc for 1 minute
	Between input and Isolated Analog Interface <sup>1</sup>	No abnormalities at 2650 Vac for 1 minute
	Between output and Isolated Analog Interface <sup>1</sup>	No abnormalities at 500 Vdc for 1 minute
Insulation resistance	Between input and FG	500 Vdc, 100 MΩ or more (70 % or less)
	Between input and output	500 Vdc, 100 MΩ or more (70 % or less)
	Between output and FG	500 Vdc, 40 MΩ or more (70 % or less)
Electromagnetic compatibility <sup>2 3</sup>		Complies with the requirements of the following directive and standards. EMC Directive 2014/30/EU EN 61326-1 (Class A <sup>4</sup> ) EN 55011 (Class A <sup>4</sup> , Group 1 <sup>5</sup> ) EN 61000-3-2 EN 61000-3-3 Applicable under the following conditions The maximum length of all cabling and wiring connected to the PWX must be less than 3 m.
Safety <sup>2</sup>		Complies with the requirements of the following directive and standard. Low Voltage Directive 2014/35/EU <sup>3</sup> EN 61010-1 (Class I <sup>6</sup> , Pollution degree 2 <sup>7</sup> )
Accessories	Power cord	1 pc.
	OUTPUT terminal cover	1 pc.
	Output terminal bolt set	M6 bolts: 2 sets (Bolt, nut, spring washer, and washer for each bolt)
	Chassis connection wire	1 wire
	J1 connector plug kit	1 set (housing × 1, connector × 1, plug × 1, cable strain relief × 1, clip × 2, and two kinds of screws × 2)
	Packing list	1 copy
	Quick reference	Japanese: 1 copy, English: 1 copy
	Safety precautions	1 copy
	CD-ROM	1 disc

- 1 Factory Option.
- 2 Does not apply to specially ordered or modified PWXs.
- 3 Limited to products that have the CE mark on their panels. Not be in compliance with EMC limits unless the ferrite core is attached on the cable for connection of J1 connector.
- 4 This is a Class A equipment. The PWX is intended for use in an industrial environment. This product may cause interference if used in residential areas. Such use must be avoided unless the user takes special measures to reduce electromagnetic emissions to prevent interference to the reception of radio and television broadcasts.
- 5 This is a Group 1 equipment. The PWX does not generate and/or use intentionally radio-frequency energy, in the form of electromagnetic radiation, inductive and/or capacitive coupling, for the treatment of material or inspection/analysis purpose.
- 6 This is a Class I equipment. Be sure to ground the PWX's protective conductor terminal. The safety of this product is only guaranteed when the product is properly grounded.
- 7 Pollution is addition of foreign matter (solid, liquid or gaseous) that may produce a reduction of dielectric strength or surface resistivity. Pollution Degree 2 assumes that only non-conductive pollution will occur except for an occasional temporary conductivity caused by condensation.

Outline drawing



PWX750ML outline drawing



This page is intentionally blank.



# 7

---

## Factory Option

This chapter describes the isolated analog interface, which are factory options.

# Isolated Analog Interface

The isolated analog interface is an internal option card that makes it possible to use analog signals to control the PWX Series. This option is installed inside the PWX750ML before shipment. You can use a signal that is isolated from the reference potential of the PWX750ML to perform the following the following types of control.

- Output voltage control
- Output current control
- Turning output on and off using an external contact
- Output shutdown control using an external contact
- Output voltage monitoring
- Output current monitoring

The following two types of isolated analog interface options are available.

## ■ Voltage control

You can control by using an external voltage.

You can set the output voltage, set the output current, and perform monitoring by using 0 V to 5 V signals or 0 V to 10 V signals.

## ■ Current control

You can control by using an external current.

You can set the output voltage, set the output current, and perform monitoring by using 4 mA to 20 mA signals.



## Isolated Analog Interface Connector



When using the isolated analog interface, do not apply signals to VPGM (pin 22) and IPGM (pin 21) of the J1 connector. If you do, the connected device may malfunction, or the PWX-750ML may not operate properly.

The other functions of the J1 connector can be used normally. For details on the J1 connector functions, see “About the J1 Connector” on page 62.

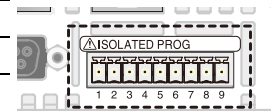
When the PWX750ML series is shipped from the factory, connectors are attached to the Isolated Analog Interface terminals. If they are damaged or lost, contact your Kikusui agent or distributor.



84-61-8209

The isolated analog interface connector, which is on the rear panel, can be split into two parts: the socket (attached to the PWX750ML) and the detachable plug. To minimize the influence of noise, we recommend that you use shielded twisted pair wires to make connections.

Socket	MC1,5/9-G-3,5 (Phoenix Contact)
Detachible plug for wiring	MC1,5/9-ST-3,5 (Phoenix Contact)
Cable	AWG 28 to AWG16
Length of covering removed from the end of the cable	7 mm
Screw tightening torque	0.22 N•m to 0.25 N•m



Isolated programming/  
monitoring connector

Pin no.	Signal name	Description	Isolated analog interface	
			Voltage control	Current control
1	VPGM_IS	Output voltage control	0 V to 5 V or 0 V to 10 V <sup>1</sup>	4 mA to 20 mA <sup>2</sup>
2	VPGM_RTN_IS <sup>3</sup>	Return for pin 1		
3	IPGM_IS	Output current control	0 V to 5 V or 0 V to 10 V <sup>1</sup>	4 mA to 20 mA <sup>2</sup>
4	IPGM_RTN_IS <sup>3</sup>	Return for pin 3		
5	VMON_IS	Output voltage monitor	0 V to 5 V or 0 V to 10 V <sup>1</sup>	4 mA to 20 mA <sup>2</sup>
6	IMON_IS	Output current monitor	0 V to 5 V or 0 V to 10 V <sup>1</sup>	4 mA to 20 mA <sup>2</sup>
7	SHUTDOWN_IS	Output shutdown control	Turns the output off with a low signal. <sup>4</sup> Use pins 7 and 9 of the connector. The open-circuit voltage across pins 7 and 9 is approximately 5 V. The short-circuit current is approximately 10 mA. Use external contacts that have a contact rating greater than or equal to 10 mA at 5 Vdc.	
8	OUTPUT_ON/OFF_IS	Output on/off control	Select the logic that is used when an external contact (the J1 connector) is being used to turn output on and off (CF:10). Turns the output on with a low or high signal. <sup>4</sup> Use pins 8 and 9 of the connector. The open-circuit voltage across pins 8 and 9 is approximately 5 V. The short-circuit current is approximately 10 mA. Use external contacts that have a contact rating greater than or equal to 10 mA at 5 Vdc.	
9	GND_IS <sup>3</sup>	Common for pins 5 through 8		

1. Control within the 0 % to 100 % range of the rated output voltage.
2. Control within the 0 % to 100 % range of the rated output current.
3. Pins 2, 4, and 9 are connected internally.
4. LOW: 0 V to 0.5 V or shorted; HIGH: 4.5 V to 5 V or open

## Setup and Operation



To prevent damage to the product, do not set the output voltage and output current to values that exceed the product's ratings.

### Using the voltage control interface

See p.41

#### 1 Use the CONFIG settings to set the following parameters.

CONFIG parameter	Setting	
CF05	CC control using an external voltage or external resistance	on
CF06	CV control using an external voltage or external resistance	on
CF09	External control parameter for turning output on and off	on
CF07	CC or CV control range	Lo ( 0 V to 5 V) or Hi (0 V to 10 V)
CF08	Range during voltage and current monitoring	Lo ( 0 V to 5 V) or Hi (0 V to 10 V)
CF10	External control logic parameter for turning output on and off	Lo (low level signal to turn the output on) or Hi (high level signal to turn the output on) <sup>1</sup>

1. LOW: 0V to 0.5 V or shorted, HIGH: 4.5 V to 5 V or open.

#### 2 Connect the external voltage source to the isolated analog interface connector.

Check that the voltage polarity is correct.

#### 3 Set the applied voltage to the appropriate level.

### Using the current control interface

See p.41

#### 1 Use the CONFIG settings to set the following parameters.

CONFIG parameter	Setting	
CF05	CC control using an external voltage or external resistance	on
CF06	CV control using an external voltage or external resistance	on
CF09	External control parameter for turning output on and off	on
CF07	CC or CV control range	Hi (0 V to 10 V)
CF08	Range during voltage and current monitoring	Hi (0 V to 10 V)
CF10	External control logic parameter for turning output on and off	Lo (low level signal to turn the output on) or Hi (high level signal to turn the output on) <sup>1</sup>

1. LOW: 0V to 0.5 V or shorted, HIGH: 4.5 V to 5 V or open.

#### 2 Connect the external current source to the isolated analog interface connector.

Check that the current polarity is correct.

#### 3 Set the applied current to the appropriate level.

## Specifications

Isolated external control input (Voltage control)		
Isolated output voltage control (VPG-M_IS)		0 % to 100 % of the rated output voltage Selectable control voltage range: 0 V to 5 V or 0 V to 10 V
Isolated output current control (IPG-M_IS)		0 % to 100 % of the rated output current Selectable control voltage range: 0 V to 5 V or 0 V to 10 V
Isolated output control common	Accuracy	±5 % of rtg
	Temperature coefficient	±100 ppm/°C
	Input impedance	1 MΩ
	Maximum absolute applied voltage	0 V to 15 V
Isolated output on/off control		Possible logic selections: Apply a LOW (0 V to 0.5 V) or short-circuit to set the OUT ON/OFF CONT (pin 18 of the J1 connector) to LOW. Apply a HIGH (4.5 V to 5 V) or open-circuit to set the OUT ON/OFF CONT (pin 18 of the J1 connector) to HIGH.
Isolated shutdown control		Apply a LOW (0 V to 0.5 V) or short-circuit to set the SHUT-DOWN (pin 6 of the J1 connector) to LOW.
Isolated monitor signal output (Voltage control)		
Isolated voltage monitor (VMON_IS)		0 V to 5 V, 0 V to 10 V
Isolated current monitor (IMON_IS)		0 V to 5 V, 0 V to 10 V
Isolated monitor common	Accuracy	±4 % of rtg
Isolated external control input (Current control)		
Isolated output voltage control (VPG-M_IS)		0 % to 100 % of the rated output voltage / 4 mA to 20 mA
Isolated output current control (IPG-M_IS)		0 % to 100 % of the rated output voltage / 4 mA to 20 mA
Isolated output control common	Accuracy	5 % of rtg
	Temperature coefficient	±200 ppm/°C
	Input impedance	50 Ω
Isolated output on/off control		Possible logic selections: Apply a LOW (0 V to 0.5 V) or short-circuit to set the OUT ON/OFF CONT (pin 18 of the J1 connector) to LOW. Apply a HIGH (4.5 V to 5 V) or open-circuit to set the OUT ON/OFF CONT (pin 18 of the J1 connector) to HIGH.
Isolated shutdown control		Apply a LOW (0 V to 0.5 V) or short-circuit to set the SHUT-DOWN (pin 6 of the J1 connector) to LOW.
Isolated monitor signal output (Current control)		
Isolated voltage monitor (VMON_IS)		4 mA to 20 mA
Isolated current monitor (IMON_IS)		4 mA to 20 mA
Isolated monitor common	Accuracy	4 % of rtg
	Load impedance	500 Ω or less



This page is intentionally blank.





# Appendix

---

**A Options**

**B Troubleshooting**

# A Options

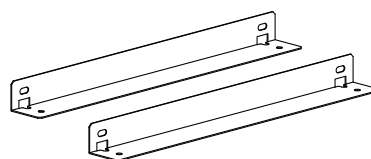
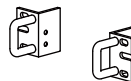
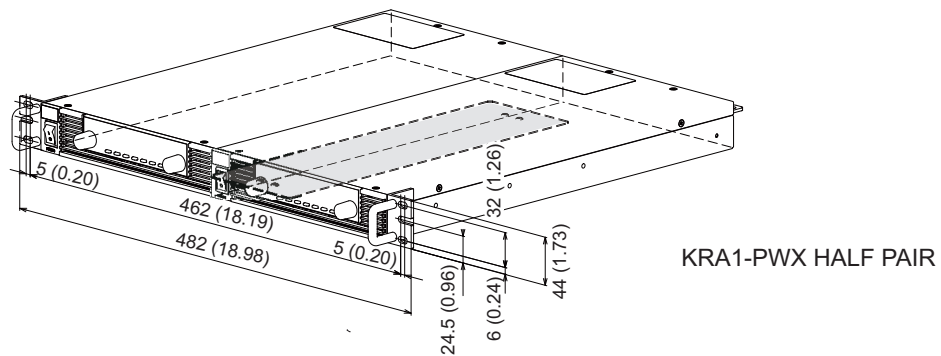
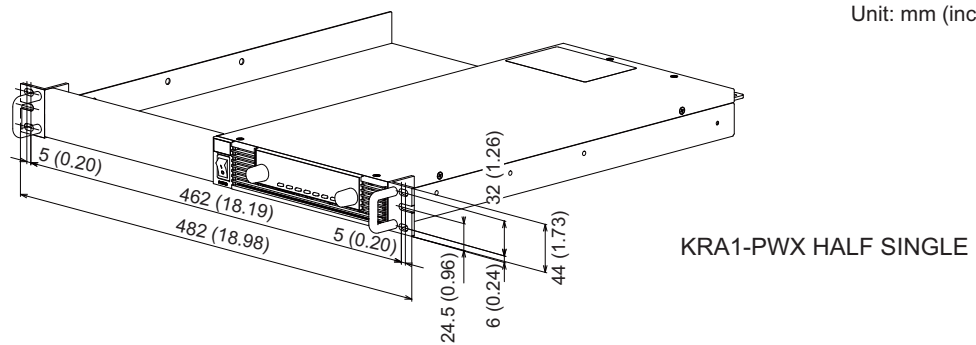
The PWX750ML has the following options. For information about options, contact your Kikusui agent or distributor.

## Rack mount option

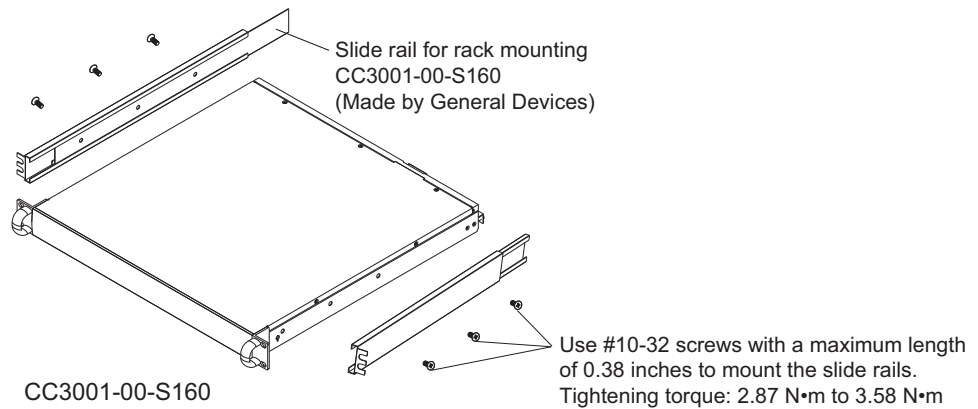
The PWX750ML can be used with JIS millimeter racks and EIA inch racks.

Name	Model	Notes
Rack mount adapter	KRA1-PWX HALF SINGLE	Rack mount bracket and blank panel
Rack mount adapter For installing two devices side-by-side	KRA1-PWX HALF PAIR	Rack mount bracket and support board
Rack mount bracket	KRB1-PWX	—
Angled rack mount support angle	KRB1-PWX SUPPORT ANGLE	—

Unit: mm (inches)

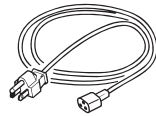


You can use rack mount slide rails CC3001-00-S160 to mount the PWX750ML to a rack.



## Power cord

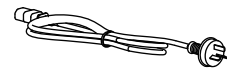
This is the power cord that is used to connect the product to the AC line. The following three types are available.



AC2-3P3M-IEC320-UL  
Rated voltage: 125 V  
Rated current: 15 A  
Plug: NEMA5-15



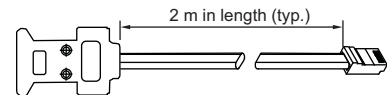
AC1-3P2R5M-IEC320-EU  
Rated voltage: 250 V  
Rated current: 10 A  
Plug: CEE7/7



AC1-3P2R5M-IEC320-CN  
Rated voltage: 250 V  
Rated current: 10 A  
Plug: GB1002

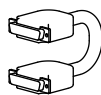
## Adapter cable (RD-8P/ 9P)

This is an adapter cable for connecting the product to an RS232C interface.

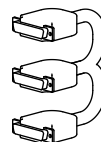


## Parallel operation signal cable

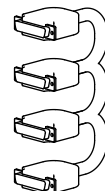
This cable is used when you perform parallel operations. The following three types are available.



PC01-PWX (for operating two units in parallel)



PC02-PWX (for operating three units in parallel)



PC03-PWX (for operating four units in parallel)


# B Troubleshooting

This section introduces troubleshooting measures. Typical symptoms are listed. Check whether any of the items listed below apply to your case. In some cases, the problem can be solved quite easily.


 p.58

If none of the items apply to your case, we recommend that you initialize the PWX750ML to its factory default settings. If the remedy does not correct the problem, contact your Kikusui agent or distributor.

## The power does not turn on

Symptom	Items to Check	Remedy	
The PWX750ML does not operate when the POWER switch is turned on.	Is the power cord broken?	Exchange the power cord with a new one.	p.2
	Is the power cord connected correctly?	Connect the power cord correctly.	p.12

## No output is generated

Symptom	Items to Check	Remedy		
No output is generated even when the OUTPUT is turned on.	Is the output voltage set to 0 V and the output current set to 0 A?	Turn the knobs to set the output voltage and output current to the required values.	p.28	
	Are you using an external contact to turn output on and off?	Yes	Use the external contact to turn output on.	p.70
		No	Set the external control parameter for turning output on and off to "off" (CF09: oFF).	p.47
Even when the PWX750ML is configured so that output is turned on at power on, the output is turned off immediately after the power is turned on.	Has the overvoltage protection (OVP) function been activated?	Limit the set output voltage (CF15: on). If you do not limit the set output voltage (CF15: oFF), set the OVP to a value that is higher than the set voltage.	p.48	
	Has the overvoltage protection (OVP2) function been activated?	A voltage that is greater than or equal to the rated output may be being applied to the PWX750ML. Check the voltage that is being applied.	p.94	
	Has the overheat protection (OHP) function been activated?	The internal temperature is abnormally high. Check the operating conditions. After you have removed the cause of the abnormal temperature, turn the power switch on.	p.38	
		The air inlet (louver) may be clogged, or the fan may be broken. Check them.	—	
	Is a shutdown (SD) signal being applied?	Set pin 6 of the J1 connector to HIGH (4.5 V to 5 V) or open the pin, or eliminate the shutdown (SD) signal.	p.72	
The output does not turn on even when the problem that caused the low AC input protection (AC-FAIL) is removed.	Is the Power-on status parameter (CF02) set to SAFE or the method for clearing OHP, FAN, and AC-FAIL alarms (CF03) set to SAFE?	Set the Power-on status parameter (CF02) to Auto or Forc and the method for clearing OHP, FAN, and AC-FAIL alarms (CF03) to Auto.	p.45	



## Unable to set the output voltage or output current correctly

Symptom	Items to Check	Remedy	See
The output voltage cannot be set correctly.	Have you tried to specify a value that is higher than the OVP trip point?	You cannot set the output voltage to a value that is 95% of the OVP trip point or higher. Check the OVP trip point.	p.36
	Have you tried to set a voltage value that is lower than the voltage value that is specified by UVL?	You cannot set the output voltage to a value that is lower than the voltage that is specified by UVL. Check the voltage that is specified by UVL.	p.38
The output current cannot be set correctly.	Have you tried to specify a value that is higher than the OCP trip point?	You cannot set the output current to a value that is 95% of the OCP trip point or higher. Check the OCP trip point.	p.36

## The output is unstable

Symptom	Items to Check	Remedy	See
When the output is on, turning the VOLTAGE knob or CURRENT knob results in unstable output.	Is the operation mode switching from CV to CC or CC to CV?	Change the setting (output voltage or output current) that is limiting the output to a value greater than the present setting. If the setting is at maximum, you must use a power supply that has a larger output voltage or current.	p.33 p.110
The output voltage or output current fluctuates.	Are you using master-slave parallel operation?	Compared to independent operation, the performance degrades slightly during master-slave parallel operation.	—
	Are the remote sensing cables and the sensing connectors connected?	When you are not using remote sensing, connect the sensing connectors in local sensing mode.	p.22
	Are both the CV and CC LEDs turned on?	If the output is oscillating when you are using remote sensing, insert a capacitor across the load.  The circuit may be malfunctioning. Immediately stop using the PWX750ML, and have it repaired.	p.22 —
	Do the sensing cables or load cables have poor contact, or are the cables broken?	Turn the POWER switch off, and check the wiring.	p.12
	Does the load current have peaks, or is it pulse shaped?	The peak values may be exceeding the set constant current. Increase the set constant current or increase the current capacity.	p.33
	The output voltage is offset from the voltage that the PWX750ML was generating when it was turned on.	Has 30 minutes passed since the power was turned on?	Warm up the PWX750ML for at least 30 minutes.
The output voltage does not decrease even when the fall time elapses.	Is the breeder circuit on/off setting set to oFF?	If the breeder circuit on/off setting is set to oFF, the voltage that was present when the output was on will remain. Set the breeder circuit on/off setting to on.	p.47

### The output ripple is large

Symptom	Items to Check	Remedy	See
The ripple sometimes becomes large.	Is the input voltage outside the range?	Apply a voltage that is within the input voltage range.	p.94
The ripple increased when the PWX750ML was installed in a different location.	Is something nearby generating a strong magnetic or electrical field?	Take measures such as moving the PWX-750ML away from the field sources or twisting the cables connected to the PWX-750ML.	—
The output ripple is large during external control.	Is there a large amount of external voltage noise?	Take measures against noise.	—
The ripple increased when the load cable was changed.	Are the remote sensing cables connected?	When you are not using remote sensing, disconnect the remote sensing cables.	p.22

### The ALARM LED lights when the OUTPUT is turned on

Symptom	Items to Check	Remedy	See	
The ALARM LED lights when the OUTPUT is turned on.	Are the remote sensing cables and the sensing connectors connected?	When you are not using remote sensing, connect the sensing connectors in local sensing mode.	p.22	
	Are the polarities of the remote sensing cables connected in reverse?	The polarities of the remote sensing cables may be connected in reverse, or the ends of the cables may be shorted. Check the load cables.	p.22	
	Are you using remote sensing with long load cables?	Set up the environment so that the voltage drop in each load cable is within the compensation voltage range (4 V for a single line).	p.22	
	Are you using external control with a loose control cable?	Connect the cable correctly.	p.62	
	Is the external voltage excessive during external control?	Apply the correct voltage.	p.66 p.68	
	Is the internal temperature too high?		The overheat protection function has been activated. Check the operating environment.	p.38 p.100
			The louver may be clogged, or the fan may be broken. Check them.	—
The ALARM LED lights when the load is changed.	Is a large external voltage—such as that of a battery load—being applied?	The overvoltage protection function or the overcurrent protection function may have been activated. Check them. The PWX750ML may be overloaded. Check the load.	p.58	
	Is the actual output voltage higher than the set voltage that is displayed on the panel?			
	Is a special load connected?			

### Unable to perform panel operations

Symptom	Items to Check	Remedy	See
Unable to perform panel operations.	Is the LOCK LED lit?	Release the panel operation lock.	p.56
	Is the REMOTE LED lit?	To control the PWX750ML from the panel, press the LOCAL switch to switch to local mode.	p.58
	Is the PWX750ML being controlled via the RS232C, USB, or LAN interface?		
The PWX750ML does not switch to local mode even when the LOCAL switch is pressed.	Was a local lockout (llo) command sent through the communication interface?	Send the "SYST:LOC" communication command to clear the local lockout (llo) status.	—
Settings are not displayed even when the SET key is pressed.	Is the instrument being controlled externally?	The SET key is disabled when the instrument is being controlled externally.	p.26

### Unable to perform remote control

Symptom	Items to Check	Remedy	See
Remote control through the LAN interface cannot be performed.	In the CONFIG settings, is the LAN interface set to be used?	Set the LAN interface (CF20) to on.	p.49
When the LAN interface is in use, the IP address cannot be obtained from the DHCP server.	Is the LAN LED lit in orange or red?	If it is lit in orange, the PWX series is waiting for a response from the DHCP server. If it turns red afterward, the PWX series may have timed out. Consult your network administrator.	p.52

### Unable to control functions properly

Symptom	Items to Check	Remedy	See
The breeder on/off function does not work.	Are you using master-slave parallel operation or series operation?	When using master-slave parallel operation or series operation, set the breeder on/off settings (CF11) of all connected units to the same value.	p.47



This page is intentionally blank.



# Index

<b>A</b>	
accessories .....	2
AC-FAIL .....	39
alarm	
clearing .....	35
display .....	35
alarm occurrence .....	34
alarm signal .....	35
<b>B</b>	
bleeder on/off .....	47
<b>C</b>	
CC control .....	46
CC mode .....	31
command language .....	49
constant-current mode .....	31
constant-current power supply .....	31
constant-voltage mode .....	31
current monitoring, range .....	46
current setting limit .....	48
CV control .....	46
CV mode .....	31
CV/CC control range .....	46
<b>E</b>	
emulation during remote control .....	49
<b>F</b>	
factory default settings .....	59
FAN .....	38
firmware version .....	2
<b>I</b>	
initialization .....	59
IP address assignment	
AUTO IP (auto) .....	52
MANUAL IP (manual) .....	52
IP address display .....	50
IP address prefix .....	52
<b>K</b>	
key lock function .....	56
<b>L</b>	
LAN interface	
applying the settings .....	51
Resetting the LAN interface settings .....	51
SCPI-RAW .....	53
LAN interface parameter .....	49
<b>M</b>	
MAC address display .....	51
MANUAL IP setting (manual IP address) .....	52
memory contents, display .....	45
memory function .....	54
multichannel (VMCB) .....	3
channel .....	50
domain .....	50
<b>O</b>	
OCP .....	36
OCP activation, detection time .....	47
OHP .....	38
output on and off	
external control .....	46
external control logic .....	47
OVP .....	36
OVP2 .....	36
<b>P</b>	
parallel operation .....	44
POWER LIMIT .....	39
power-on status .....	45
product ID display .....	53
protection function	
alarm clearance method .....	45
fan failure protection .....	38
incorrect sensing connection protection .....	39
low AC input protection .....	39
overcurrent protection .....	36
overheat protection .....	38
overvoltage protection .....	36
overvoltage protection 2 .....	36
power limit .....	39
shutdown .....	39
undervoltage limit .....	38
<b>R</b>	
remote sensing .....	22
RS232C interface	
baud rate .....	53
<b>S</b>	
SCPI communication error display .....	50
SD .....	39
SENSE .....	39
setting limit	
UVL .....	38
setting limits .....	35
settings, reset .....	44

## U

UVL .....	38
-----------	----

## V

vendor ID display .....	53
version .....	2
VMCB (Virtual Multi Channel Bus)	
channel .....	50
domain .....	50
voltage monitoring, range .....	46
voltage setting limit .....	48



If you find any misplaced or missing pages in the manuals, they will be replaced. If the manual gets lost or soiled, a new copy can be provided for a fee. In either case, please contact your Kikusui agent or distributor. At that time, inform your agent or distributor of the "Part No." written on the front cover of this manual.

Every effort has been made to ensure the accuracy of this manual. However, if you have any questions or find any errors or omissions, please contact your Kikusui agent or distributor.

After you have finished reading this manual, store it so that you can use it for reference at any time.

## **KIKUSUI ELECTRONICS CORP.**

---

1-1-3 Higashiyamata, Tsuzuki-ku, Yokohama,  
224-0023, Japan

Phone: +81-45-482-6353

Facsimile: +81-45-482-6261

**[www.kikusui.co.jp/en/](http://www.kikusui.co.jp/en/)**

