

PCR-L Series Operation Manual (Supplement)

Read this supplement before the Operation Manual

This PCR-L Series product is the CE marking model and the appearance and some accessories are different from those of the standard model.

This Operation Manual (Supplement) covers only the contents different from those of the standard model.

Please read this Supplement before the PCR-L Series Operation Manual and understand how the standard and CE marking models are different.

Description

- This Supplement is not applied to PCR6000L, which has no CE marking models.

Table of contents		
Section	Page in PCR-L Series Operation Manual (Supplement)	Associated pages in PCR-L Series Operation Manual
1. Accessories	2	2-2, 2-3, 11-3
2. Appearance	3	2-9, 11-6 to 11-9, and others
3. Input power cable	6	3-1 to 3-6
4. OUTPUT terminal board	7	5-2
5. SENSING terminal board	8	6-31
6. Safety	8	11-3

All or any parts of this manual may not be reproduced in any forms, without express written permission of Kikusui Electronics Corporation.

The contents of this manual, including the specifications of the instrument, are subject to change without notice.

©1997 Copyright Kikusui Electronics Corporation.

Printed in Japan. All rights reserved.

KIKUSUI PART No. Z1-001-082 IB000892

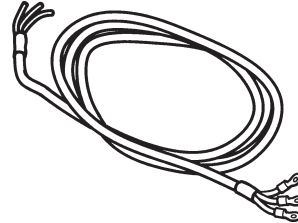
1. Accessories

Associated with pages 2-2, 2-3, and 11-3 in PCR-L Series Operation Manual.

The following description is different from that of PCR-L Series Operation Manual:

Input power cable

- PCR500L : 1.5mm² (The power cable has no plug.)
- PCR1000L : 2.5mm²
- PCR2000L : Dealer option.
- PCR4000L : Dealer option.



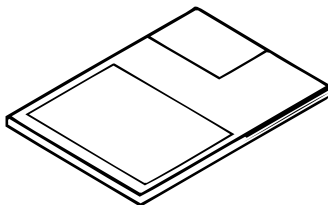
For PCR500L and PCR1000L

Warning

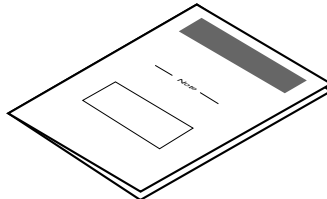
- Do not use the input power cables attached to PCR500L and PCR1000L for 100 V input voltage range.

Operation Manual

This model is attached with two manuals: PCR-L Series Operation Manual and PCR-L Series Operation Manual (Supplement).



PCR-L Series Operation Manual



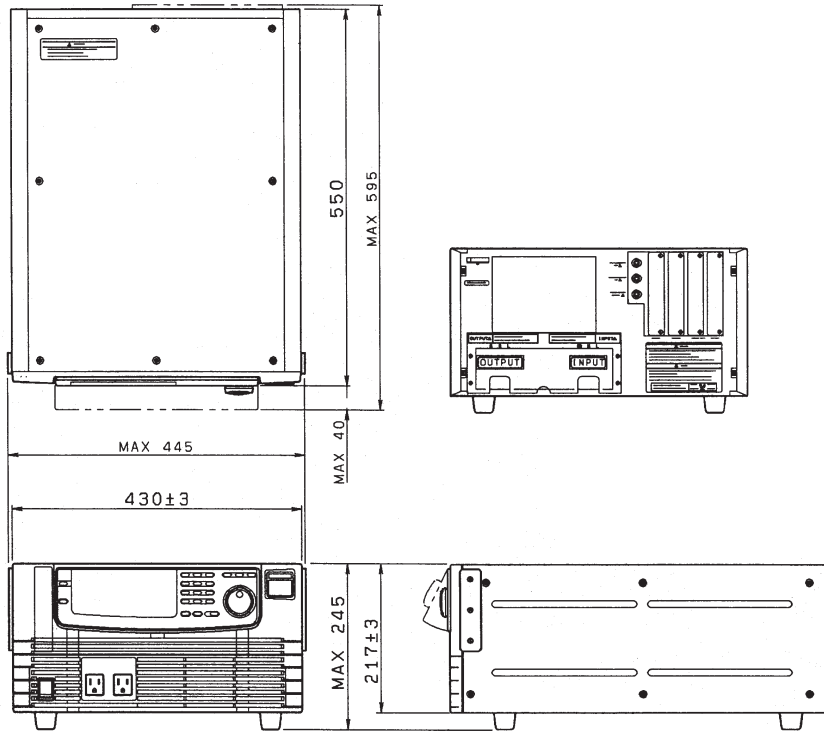
PCR-L Series Operation Manual (Supplement)

2. Appearance

Associated with pages 2-9, 11-6 to 11-9, and others in PCR-L Series Operation Manual.

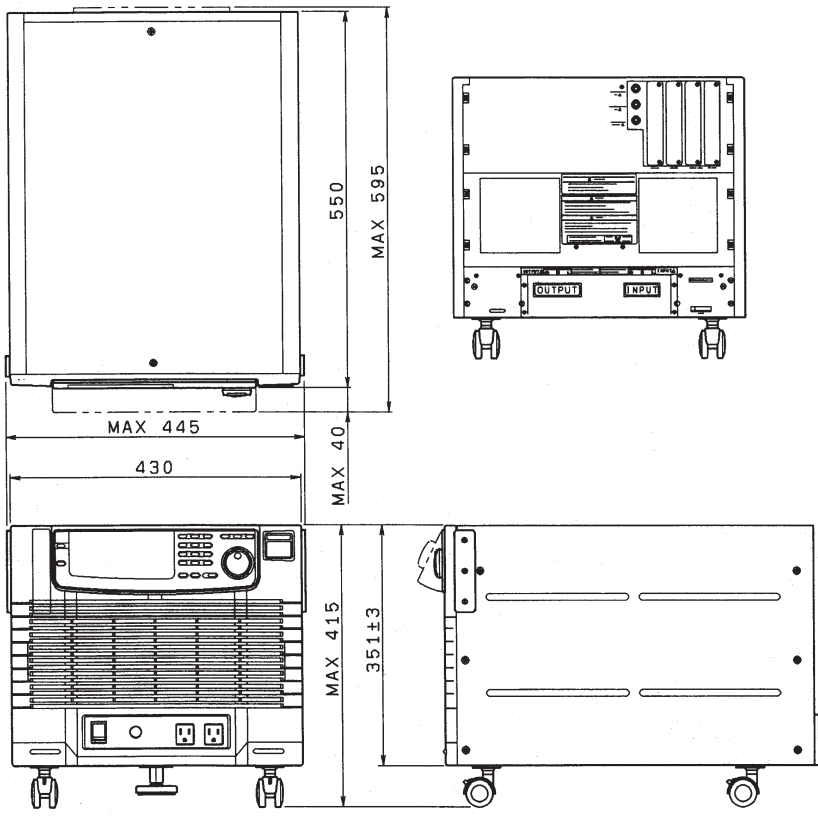
This model has no grips. Ignore "How to Handle the Grips" and " 3 Grips" in page 2-9 and 8-9.

If handles appear in the illustrations in the PCR-L Series Operation Manual, ignore these ones and use the following figures:



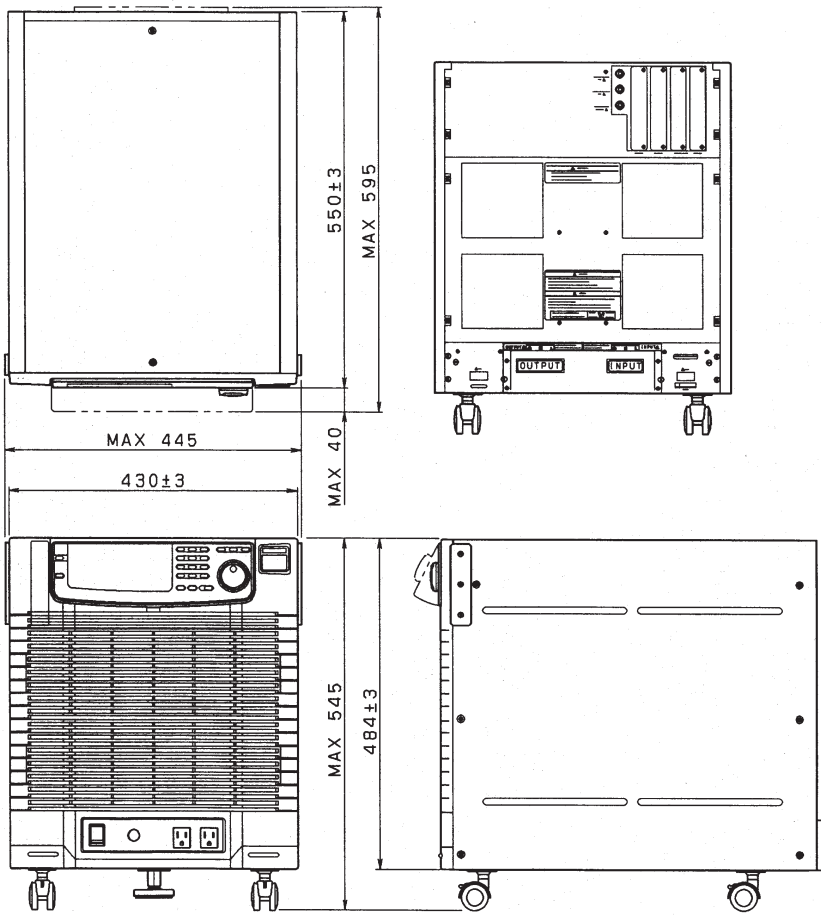
PCR500L (CE marking model)

Unit : mm



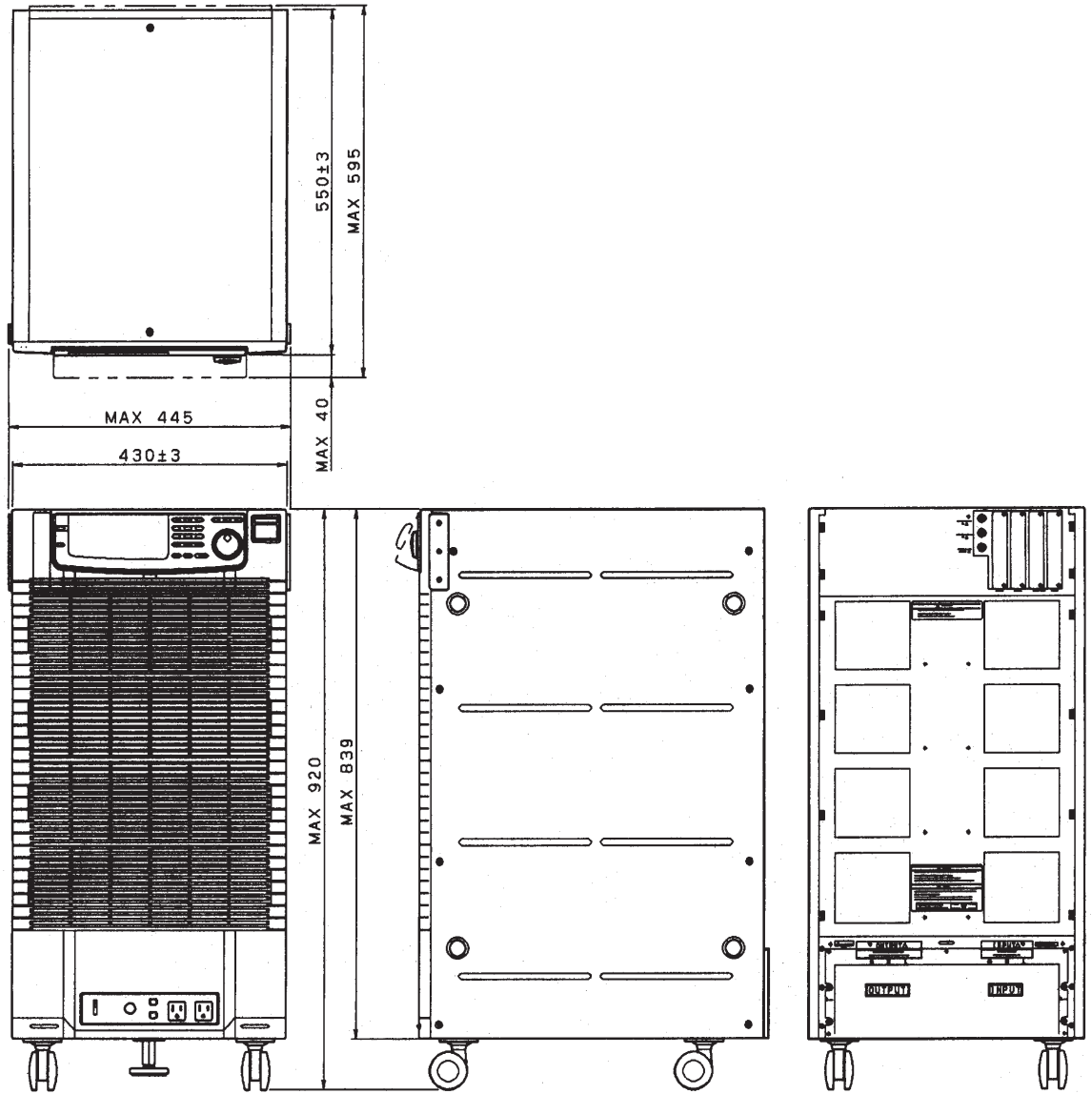
PCR1000L (CE marking model)

Unit : mm



PCR2000L (CE marking model)

Unit : mm



PCR4000L (CE marking model)

Unit : mm

3. Input Power Cable


The input power cable is connected to this model before shipping. Ignore "Chapter 3. CONNECTING THE INPUT POWER" in the PCR-L Series Operation Manual and read the following description:

Warning

- Connecting the input power cable to the power distribution board, etc. should be done by a qualified and licensed electrician or conducted under the direction of such a person.

Input power cable colors

For the input power cable colors, see the table below.

INPUT terminal board indication	Color of Cable
L	Brown
N	Blue
	Green/Yellow (spiral)

The PCR500L input power cable has no plug

Associated with pages , , 2-8, 6-31, and 8-16 in "PCR-L Series Operation Manual."

"PCR-L Series Operation Manual" contains description "... disconnect the input power plug from the outlet," though this input power cable has no plug. Before connecting or disconnecting the cable or when a trouble occurs, turn off the switch on the power distribution board.

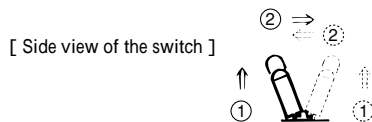
Selecting input voltage range

Use the INPUT VOLTAGE SELECTOR to select the input voltage.

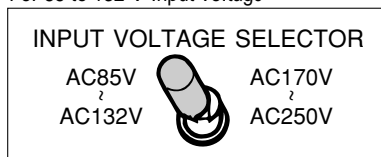
The INPUT VOLTAGE SELECTOR is located at the center of the terminal box.

The INPUT VOLTAGE SELECTOR is a lock-type toggle switch. Pull the knob to select the input voltage.

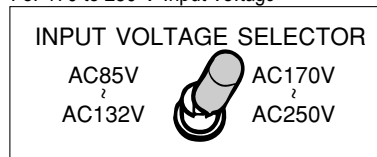
Pull the knob to select the voltage.



For 85 to 132 V input voltage



For 170 to 250 V input voltage



Warning

- Do not use the input power cables attached to PCR500L and PCR1000L for 100 V input voltage range.

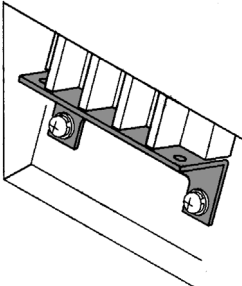
4. OUTPUT Terminal Board

Associated with page 5-2 in "PCR-L Series Operation Manual."

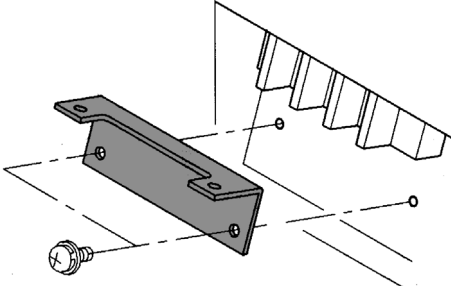
A cover has been added to the OUTPUT terminal board.

When connecting the output cable, change the direction of the cover as shown below.

PCR500L

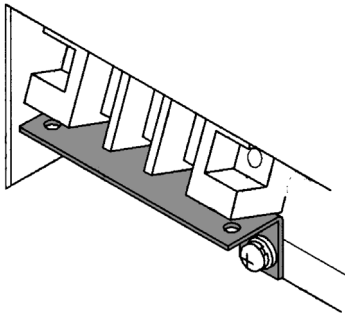


Shipping state

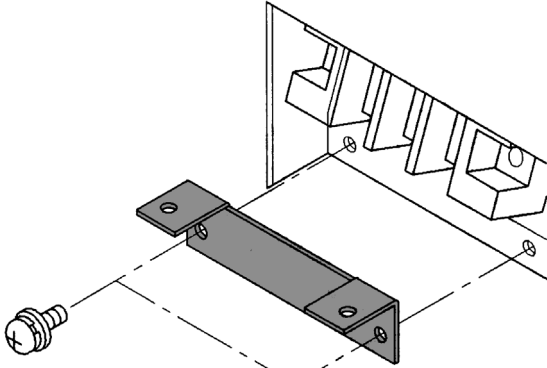


State for operating

PCR1000L/PCR2000L

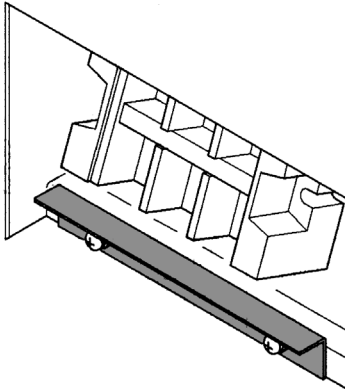


Shipping state

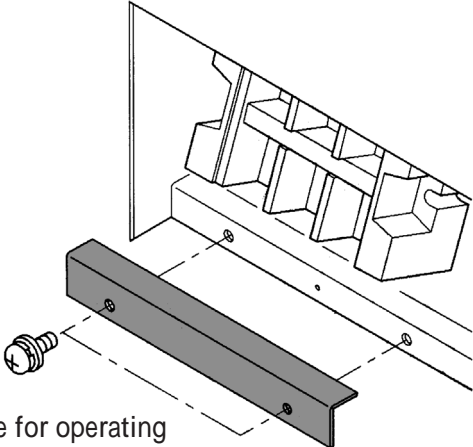


State for operating

PCR4000L



Shipping state



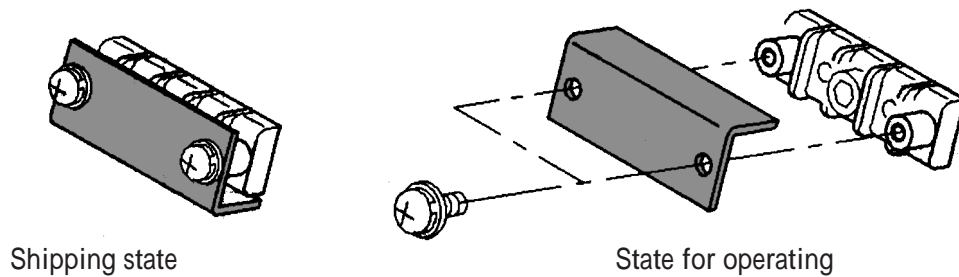
State for operating

5. SENSING Terminal Board

Associated with page 6-31 in "PCR-L Series Operation Manual."

A cover has been added to the SENSING terminal board.

When connecting the SENSING cables, change the direction of the cover as shown below.



6. SAFETY

Associated with page 11-3 in "PCR-L Series Operation Manual."

A safety item has been added to the specifications.

Model name	PCR500L	PCR1000L	PCR2000L	PCR4000L	PCR6000L
SAFETY	Complied with the following standards *1 European Community Requirements (73/23/EEC)				—

*1: CE markings are put only on the products sold in Europe.