

BRACKET

KRB9/ KRB400-PCR-LE

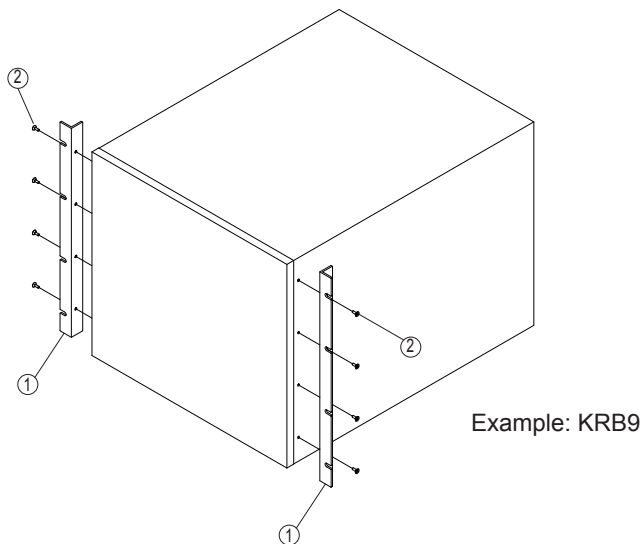
The KRB9 is the bracket for EIA standard rack (inch). The KRB400-PCR-LE is the bracket for JIS standard rack (milli).

Accessories

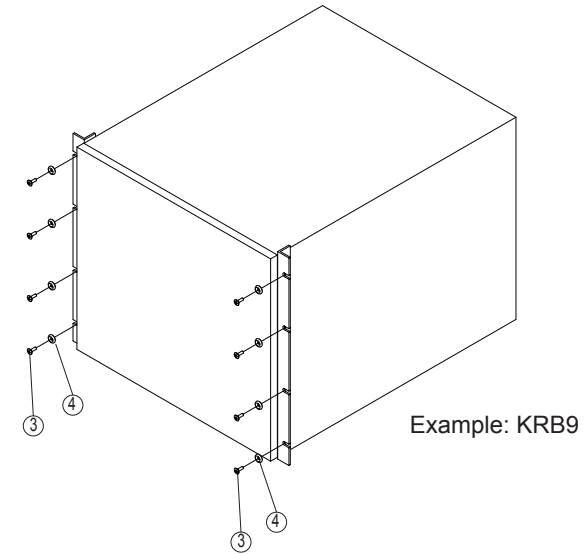
No.	CODE	DESCRIPTION	QTY.
1	B9-000-174	BRKT KRB9 L/R (for KRB9)	2
1	B9-000-175	BRKT KRB400 L/R (for KRB400-PCR-LE)	2
2	M2-101-016	FLH SCREW S-NI M4x0.7x10	8
3	M2-102-002	OVH SCREW S-NI M5x0.8x14	8
4	M5-003-031	CUP WASHER 5 CW	8

Install the brackets to the instrument in the next procedure and build in it to the rack.

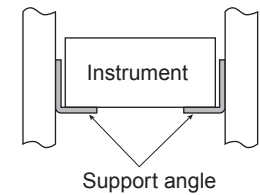
1. Remove the feet of the instrument. To remove the feet, follow the procedure in the operation manual of the instrument.
2. As shown in figure, using the accompanying screws, install the brackets. Be sure to use the accompanying screws (M4 x 10).



3. Using the accompanying screws and washers, mount the instrument in the rack. Be sure to use the accompanying screws (M5 x 14) and washers.



CAUTION The instrument may fall. Install the suitable support angles applying to the used rack system to support the instrument.



Part No. Z9-000-441, IA004861



KIKUSUI ELECTRONICS CORP.

1-1-3, Higashiyamata, Tsuzuki-ku, Yokohama, 244-0023, Japan