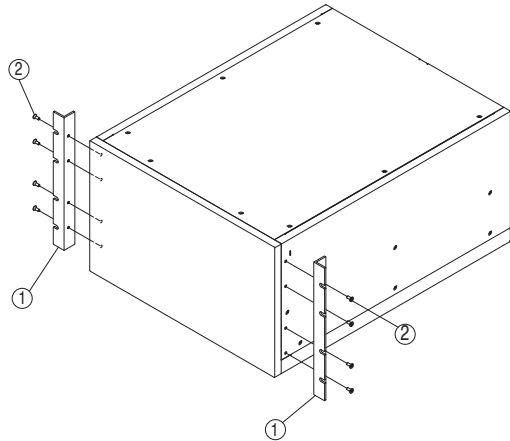


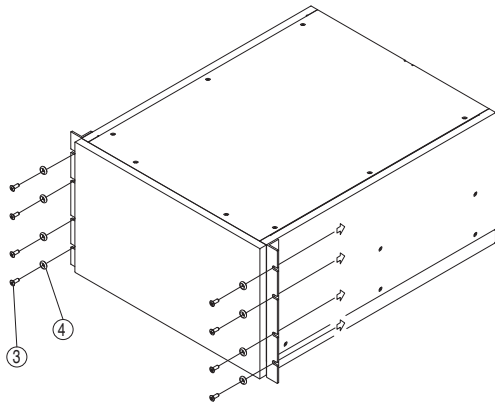
# BRACKET KRB6

Install the brackets to the instrument in the next procedure and build in it to the rack.

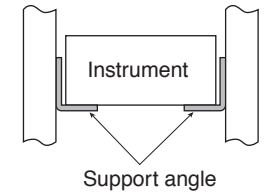
1. Remove the feet of the instrument. To remove the feet, follow the procedure in the operation manual of the instrument.
2. As shown in figure, using the accompanying screws, install the brackets. Do not use except the accompanying screws (M4 x 10 flat head screws).



3. Using the accompanying screws and washers, mount the instrument in the rack.



**CAUTION** The instrument may fall. Install the suitable support angles applying to the used rack system to support the instrument.



No.	CODE	DESCRIPTION	QTY
1	B9-000-028	BRKT KRB6-PAM L/R	2
2	M2-101-016	FLH SCREW S-NI M4X0.7X10	8
3	M2-102-002	OVH SCREW S-NI M5X0.8X14	8
4	M5-003-031	CUP WASHER 5 CW	8

Part No. Z1-901-180, IA002734



KIKUSUI ELECTRONICS CORP.

1-1-3, Higashiyamata, Tsuzuki-ku, Yokohama, 244-0023, Japan