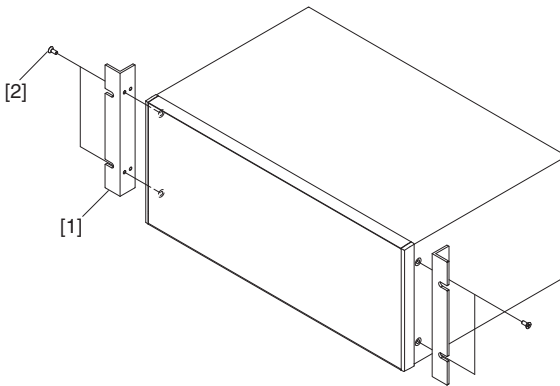


INSTRUCTION MANUAL

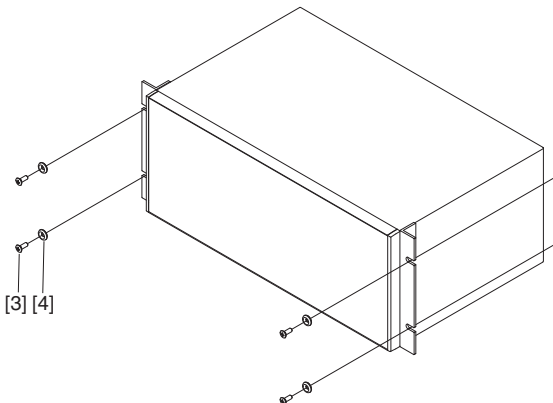
Bracket KRB4

Attach the mounting bracket to the instrument and install it to the EIA standard rack in the following procedure.

1. Attach the mounting bracket to the unit using the provided screws as shown in figure. Do not use other than the provided screws (M4 x 10 flat-head screw).



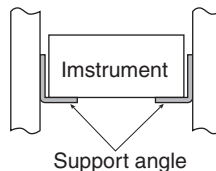
2. Install the rack mounting unit to the EIA standard rack using the provided screws and washers.



⚠ CAUTION

• The instrument may fall.

Install the suitable support angles applying to the used rack system to support the instrument.



No.	DESCRIPTION	QTY
1	Bracket KRB4	2
2	Flat-head screw M4 x 0.7 x 10	4
3	Oval head M5 x 0.8 x 14	4
4	Finishing washer 5CW	4

KIKUSUI ELECTRONICS CORP.

1-1-3, Higashiyamata, Tsuzuki-ku, Yokohama, 224-0023, Japan

TEL : +81-45-593-7570 FAX: +81-45-593-7571

<http://www.kikusui.co.jp/>

Printed in Japan