

BRACKET KRB300

No.	CODE	DESCRIPTION	QTY
1	B9-000-029	BRKT KRB300-PAM L/R	2
2	B9-000-030	BRKT KRB300-PAM TOP	1
3	M2-101-009	FLH SCREW S-NI M3X0.5X8	2
4	M2-101-016	FLH SCREW S-NI M4X0.7X10	8
5	M2-102-002	OVH SCREW S-NI M5X0.8X14	8
6	M5-003-031	CUP WASHER 5 CW	8

Install the brackets to the instrument in the next procedure and build in it to the rack.

1. Remove the feet of the instrument. To remove the feet, follow the procedure in the operation manual of the instrument.

2. As shown in figure, using the accompanying screws, install the brackets. Do not use except the accompanying screws (③M3 x 8 and ④M4 x 10 flat head screws).

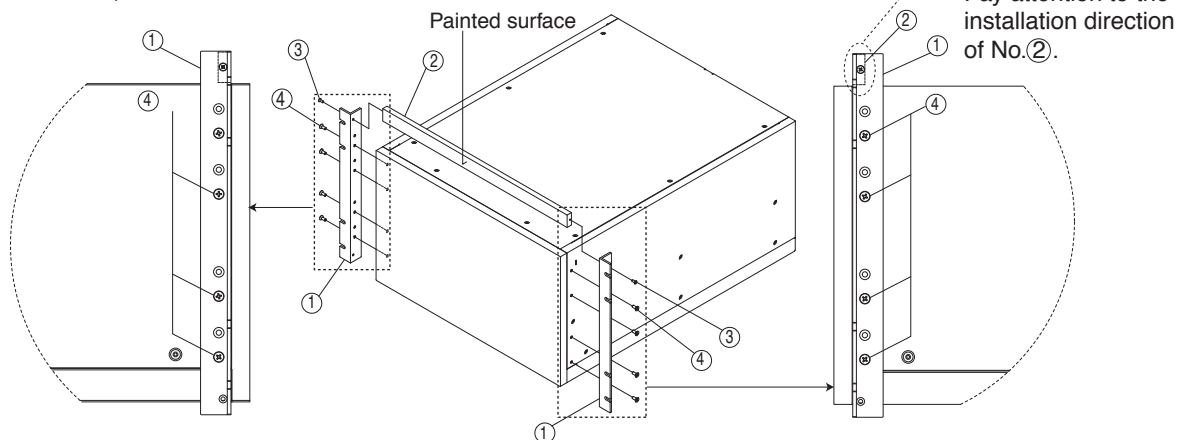


Fig. 1

3. Using the accompanying screws and washers, mount the instrument in the rack.

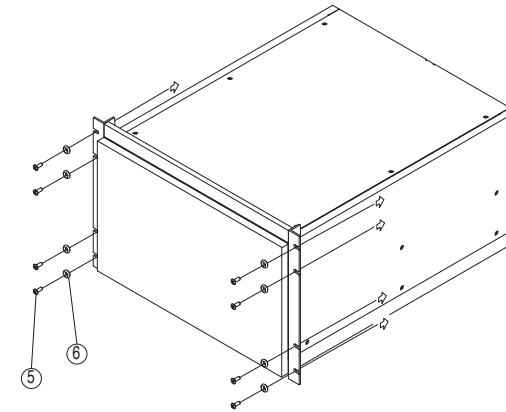
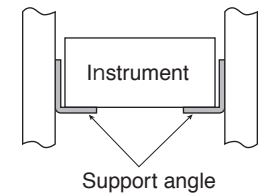


Fig. 2

CAUTION

The instrument may fall. Install the suitable support angles applying to the used rack system to support the instrument.



Part No. Z1-901-190, IA002744



KIKUSUI ELECTRONICS CORP.

1-1-3, Higashiyamata, Tsuzuki-ku, Yokohama, 244-0023, Japan