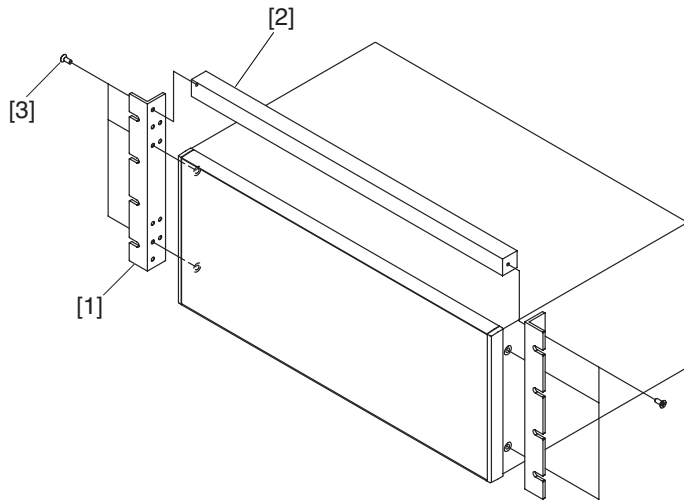


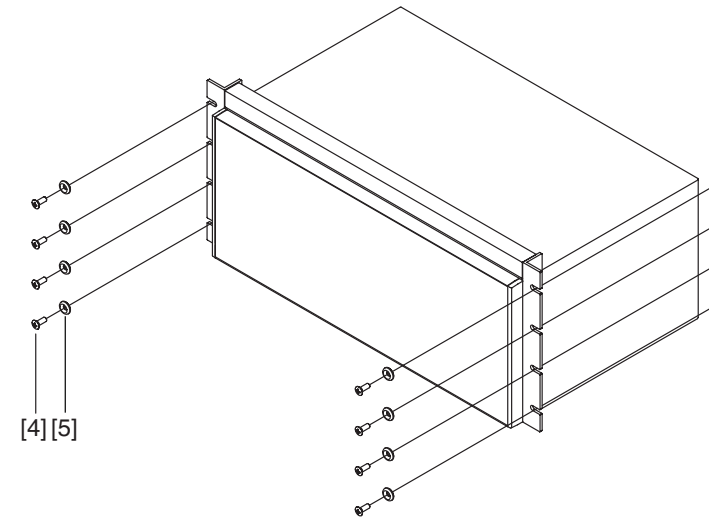
●●●●● **INSTRUCTION MANUAL**
 ●●●●● Bracket
 ●●●●● **KRB200**

Attach the mounting bracket to the instrument and install it to the JIS standard rack in the following procedure.

1. Attach the mounting bracket to the instrument using the provided screws as shown in figure. Do not use other than the provided screws (M4 x 10 flat-head screw).

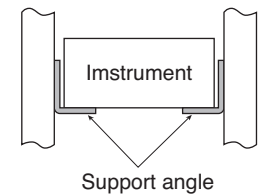


2. Install the rack mounting instrument to the JIS standard rack using the provided screws and washers.



No.	DESCRIPTION	QTY
1	Bracket KRB200	2
2	Bracket KRB200 top	1
3	Flat-head screw M4 x 0.7 x 10	6
4	Oval head M5 x 0.8 x 14	8
5	Finishing washer 5CW	8

CAUTION The instrument may fall. Install the suitable support angles applying to the used rack system to support the instrument.



KIKUSUI ELECTRONICS CORP.

1-1-3, Higashiyamata, Tsuzuki-ku, Yokohama, 224-0023, Japan

TEL : +81-45-593-7570 FAX: +81-45-593-7571

<http://www.kikusui.co.jp/>

Printed in Japan