

INSTRUCTION MANUAL

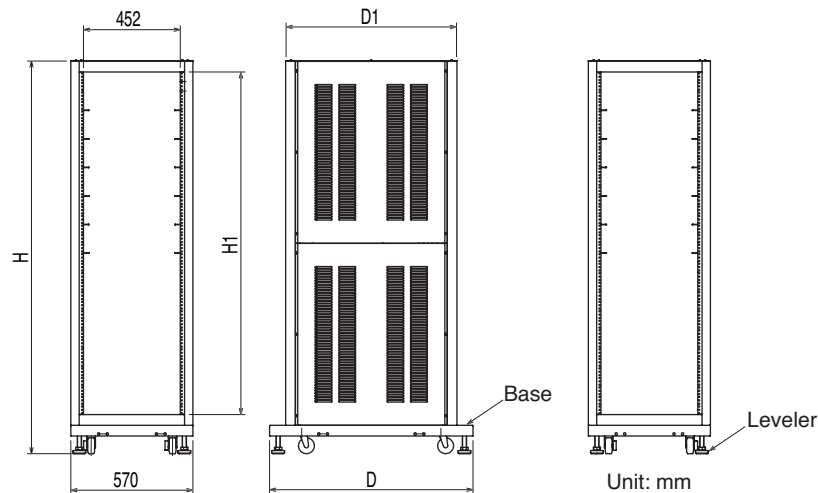
CABINET RACK

KRC Series

The KRC series Cabinet rack comply with JIS standard or EIA standard.
Support angles are included.

- CAUTION**
- The maximum allowable load of each pair of support angles is 70 kg. For heavier loads, use support angles for heavy weight (optional items).
 - When assigning devices to be accommodated in the rack, fix the rack with the levelers to prevent the it from moving, and then assign devices so that the gravity center of overall rack is made as low as possible.
 - The rack may fall by the earthquake. Take measures to prevent the fall.
 - When moving the rack, raise the levelers up to the highest position. The rack may fall at a difference in level.
 - To hoist the rack, raise it by means of the eyebolts (optional items).

Specifications



Model	H	H1	D	D1	Model	H	H1	D	D1
KRC363L	1835	1600	950	800	KRC1603L	1835	1600	950	800
KRC273L	1435	1200	950	800	KRC1203L	1435	1200	950	800
KRC363	1835	1600	800	650	KRC1603	1835	1600	800	650
KRC273	1435	1200	800	650	KRC1203	1435	1200	800	650

Model	Allowable max. load	No. of panels		Weight	Support angle	Leveler
	kg	JIS	EIA	kg		
KRC363L	Approx. 300		36	95	12 (6 in pairs)	4
KRC273L			27	85	10 (5 in pairs)	
KRC363			36	90	12 (6 in pairs)	
KRC273			27	75	10 (5 in pairs)	
KRC1603		32		90	12 (6 in pairs)	
KRC1603L				95		
KRC1203		24		75	10 (5 in pairs)	
KRC1203L				85		

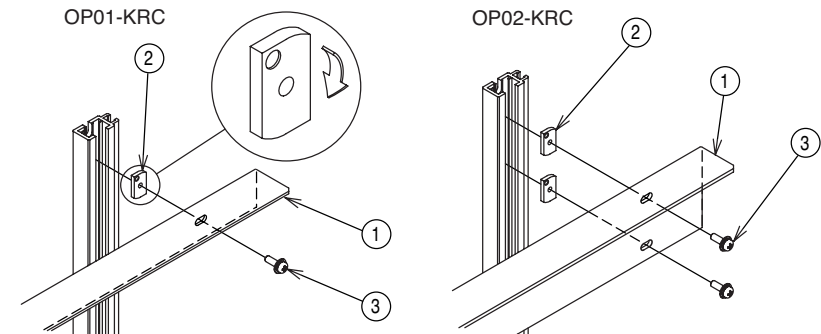
Options

Model	Description	Remarks
OP01-KRC	Support angle	For add-in (the same as provided support angle)
OP02-KRC	Support angle for heavy weight	Use this to load to a pair of support angle over 70 kg.
OP03-KRC	Base hold angle	Use this to fix the rack to the floor.
OP04-KRC	Eyebolt	Use this to hoist the rack.

Using Optional Items

OP01-KRC/OP02-KRC

Turn the surface marked a circle of the plate nut to you. Insert the nut into the pillar and turn it 90 degree clockwise. Check that the nut does not fall down from the pillar and fix the support angle with the screw.

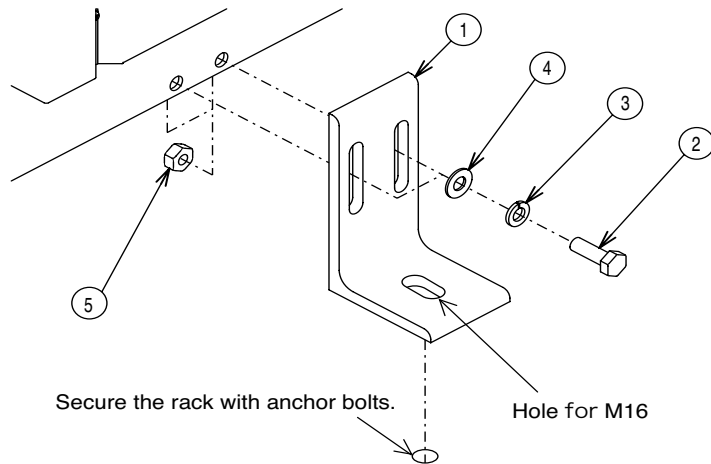


No.	Description	Quantity	
		OP01-KRC	OP02-KRC
1	Support rail	2	2
2	Plate nut	4	8
3	Screw M5x16 (Double sems)	4	8

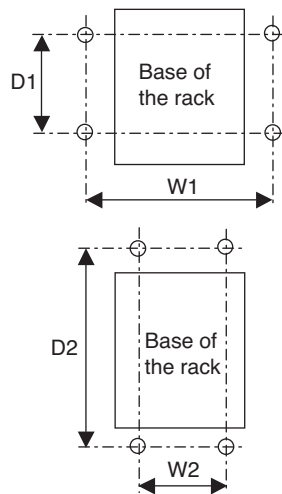
■ OP03-KRC

Put the base hold angles to the both sides (right and left sides or front and rear sides) of the base of rack.

The base hold angle has a long hole for M16 on the bottom side. Fix the rack with anchor bolts.



No.	Description	Quantity
1	L-shape anchor	4
2	Bolt M10x35	8
3	Spring washer M10	8
4	Washer M10	8
5	Nut M10	8

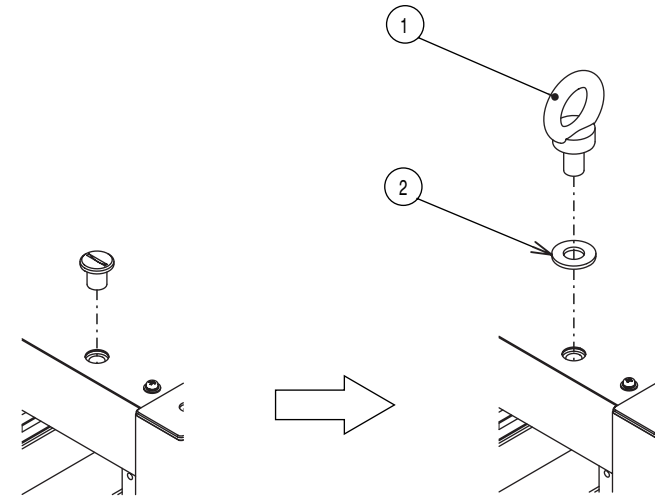


Model	Fixing the right and left sides		Fixing the front and rear sides	
	W1	D1	W2	D2
KRC363L	670	450	270	1050
KRC273L		450		1050
KRC363		380		900
KRC273		380		900
KRC1603L		450		1050
KRC1203L		450		1050
KRC1603		380		900
KRC1203		380		900

Unit: mm

■ OP04-KRC

Remove the hole caps on the top side, put the eyebolts to the rack.



No.	Description	Quantity
1	Eyebolt M12x22	4
2	Washer M12	4

KIKUSUI ELECTRONICS CORP.

1-1-3, Higashiyamata, Tsuzuki-ku, Yokohama, 224-0023, Japan

Tel: +81-45-593-7570

Fax: +81-45-593-7571

<http://www.kikusui.co.jp/>