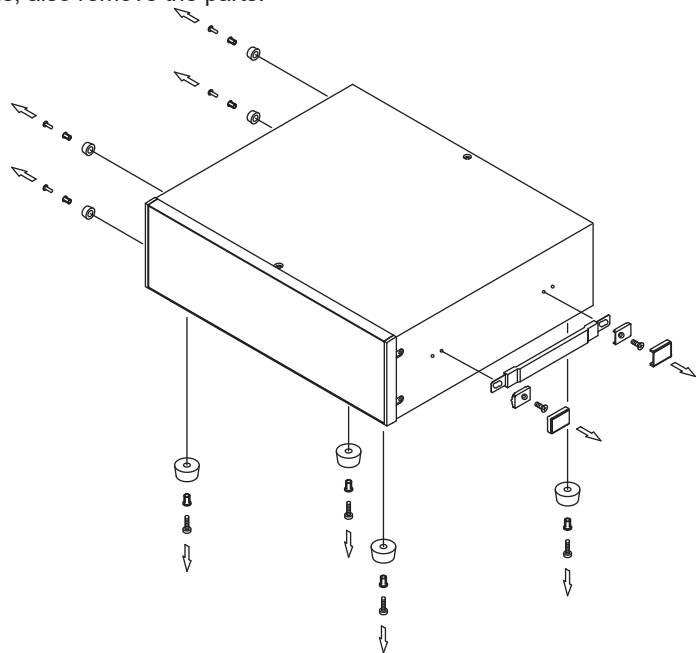


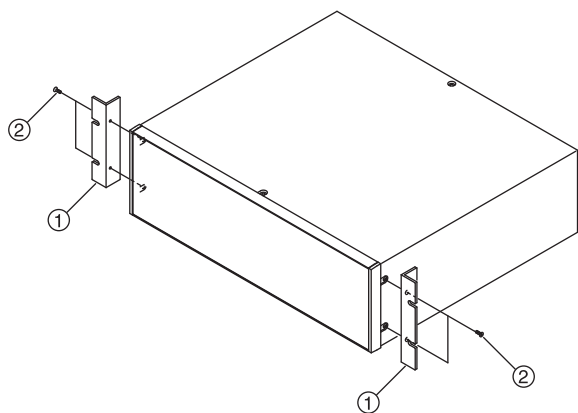
BRACKET KRB3-TOS

Install the brackets to the instrument in the next procedure and build in it to the rack.

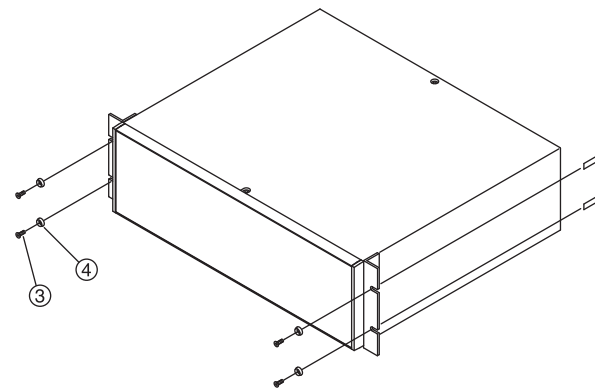
1. Remove the rubber feet on the bottom panel.
When parts such as carrying handle and rubber feet are installed on the side panels, also remove the parts.



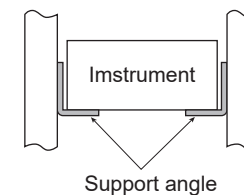
2. As shown in figure, using the accompanying screws, install the brackets.
Do not use except the accompanying screws (M4 x 10 flat head screws).



3. Using the accompanying screws and washers, mount the instrument in the rack.



CAUTION The instrument may fall.
Install the suitable support angles applying to the used rack system to support the instrument.



No.	DESCRIPTION	QTY
1	BRACKET KRB3-TOS	2
2	FLAT HEAD SCREW M4x0.7x10	4
3	OVAL HEAD M5x0.8x14	4
4	FINISHING WASHER 5CW	4

KIKUSUI ELECTRONICS CORP.

1-1-3 Higashiyamata, Tsuzuki-ku, Yokohama,
224-0023, Japan

Tel: +81-45-482-6353

Fax: +81-45-482-6261

The newest version of the manual can be downloaded from Download service of Kikusui website.

www.kikusui.co.jp/en

© 2001

