

This product is a rack mount bracket designed specifically for Kikusui PWX Series Regulated DC Power Supplies

Components

Check that all parts are included and that they are not damaged. If any of the parts are damaged or missing, contact your Kikusui agent or distributor.

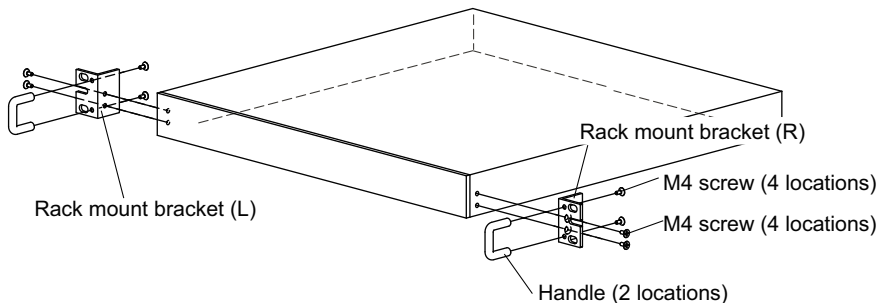
No.	Parts Code	Description	Quantity
1	B9-000-170	Rack mount bracket (R) KRB1-PWX (R)	1
2	B9-000-171	Rack mount bracket (L) KRB1-PWX (L)	1
3	E6-000-027	Handle	2
4	M2-101-015	Handle and Rack mount bracket screw (M4x8)	8
5	M3-112-043	Rack mount screw (M5x14)	4

Assembly

1 Remove the rubber feet for the bottom of the PWX Series.

Loosen the screws to remove the rubber feet (in four locations).

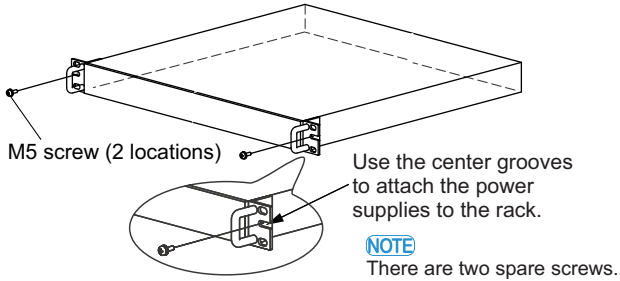
2 Attach the handles and brackets to the PWX series using the M4 screws.



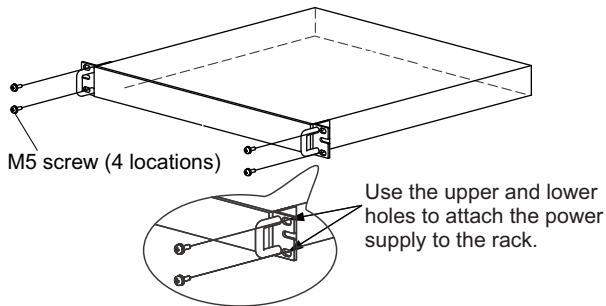
Attach the PWX series to a rack

Use M5 screws to attach the power supply to a rack.

■ When attaching the power supply to a JIS millimeter rack

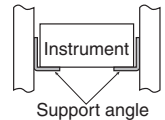


■ When attaching the power supply to an EIA inch rack



CAUTION

The instrument may fall. Install the suitable support angles applying to the used rack system to support the instrument.



KIKUSUI ELECTRONICS CORP.

1-1-3 Higashiyamata, Tsuzuki-ku, Yokohama, 224-0023, Japan

Tel: +81-45-482-6353

Fax: +81-45-482-6261

Website <http://www.kikusui.co.jp/en>



The newest version of the operation manual can be downloaded from Download service of Kikusui website.

© 2011