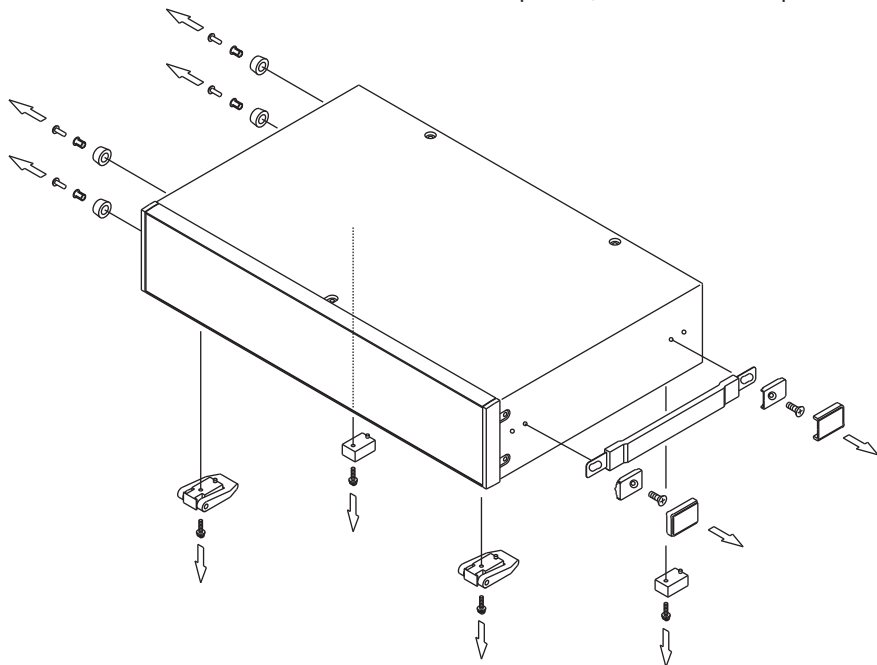


BRACKET KRB100-TOS

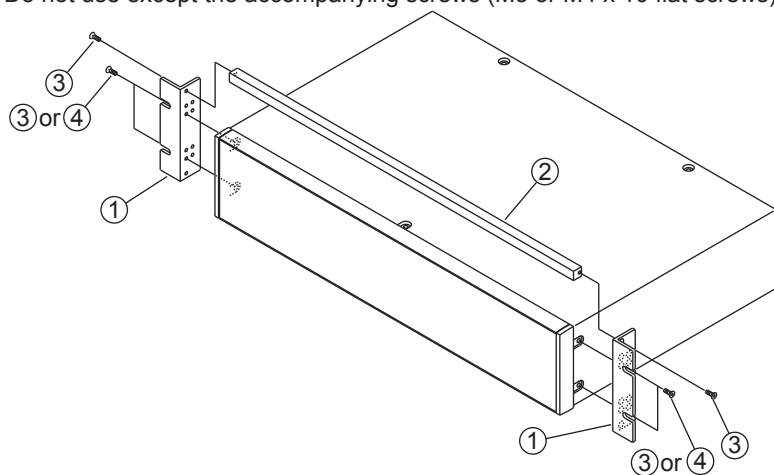
Part No. Z1-901-170, IA002604
Jan. 2016

Install the brackets to the instrument in the next procedure and build in it to the rack.

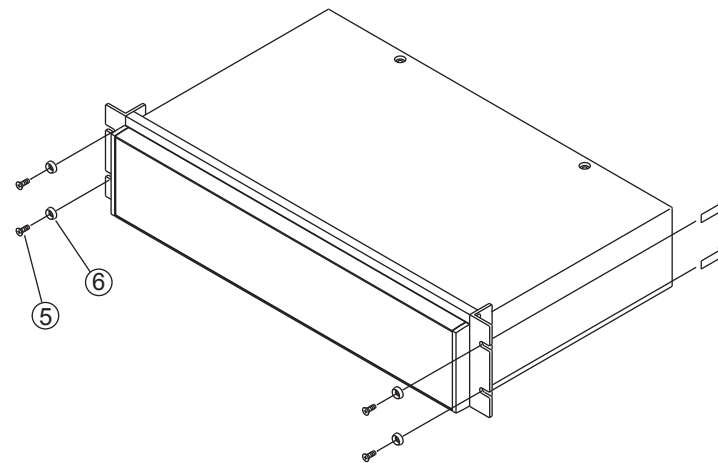
1. Remove the rubber feet on the bottom panel. When parts such as carrying handle and rubber foot are installed on the side panels, also remove the parts.



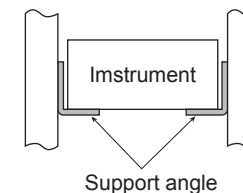
2. As shown in figure, using the accompanying screws, install the brackets. Do not use except the accompanying screws (M3 or M4 x 10 flat screws).



3. Using the accompanying screws and washers, mount the instrument in the rack.



CAUTION The instrument may fall.
Install the suitable support angles
applying to the used rack system to
support the instrument.



No.	DESCRIPTION	QTY
1	BRACKET KRB100-TOS	2
2	BRACKET TOP KRB100-TOS	1
3	FLAT HEAD SCREW M3x0.5x10	6
4	FLAT HEAD SCREW M4x0.7x10	4
5	OVAL HEAD SCREW M5x0.8x14	4
6	FINISHING WASHER 5CW	4

KIKUSUI ELECTRONICS CORP.

1-1-3 Higashiyamata, Tsuzuki-ku, Yokohama,
224-0023, Japan

Tel: +81-45-593-7570 Fax: +81-45-593-7571

Website

<http://www.kikusui.co.jp/en>

The newest version of the operation manual can be
downloaded from Download service of Kikusui website.

©2016

