

Instruction Manual

Rack Mount Adapter KRA4-TOS / KRA200-TOS

This rack mount adapter is used to mount the TOS5300 Series on the rack.

- KRA4-TOS : Inch rack for the EIA standard
- KRA200-TOS : Milli rack for the JIS standard

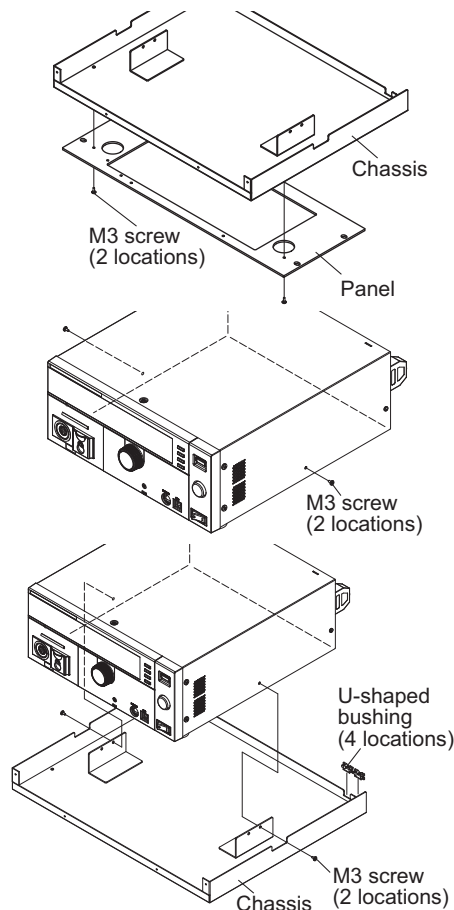
Components

Check that all parts are included and that the parts have not been damaged during transportation. If any of the parts are damaged or missing, contact your Kikusui agent or distributor.

No.	Description	Quantity	
		KRA4-TOS	KRA200-TOS
1	KRA4-TOS panel	1	–
	KRA200-TOS panel	–	1
2	KRA4 /200-TOS chassis	1	
3	M3 screw (M3x8)	6	
4	M4 screw (M4x8)	2	
5	M5 screw (M5x14)	4	8
6	Washer	4	8
7	Round bushing	2	
8	U-shaped bushing	4	
9	clamp	2	

Assembly

Carry out the procedure below to attach the adapter to the TOS5300 Series and mount it on the rack.



1 Unscrew the M3 screws (M3x8) that are holding the panel and chassis together.

These screws will not be used to attach the adapter to the TOS5300 Series.

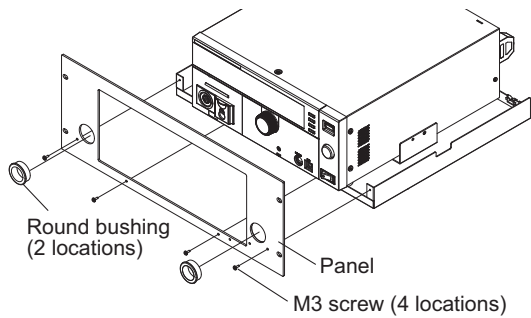
2 Unscrew the M3 screws (M3x6) from the side panels of the TOS5300 Series.

These screws will not be used to attach the adapter to the TOS5300 Series.

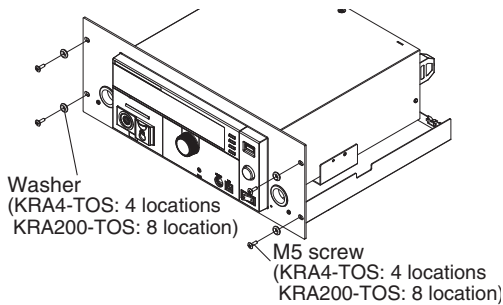
3 Attach the chassis to the bottom of the TOS5300 Series using the included M3 screws (M3x8).

The length of these screws is different from that of the M3 screws (M3x6) that you removed in step 2. You will need the M3x6 screws if you later want to return the TOS5300 Series to its original condition (without the rackmount adapter).

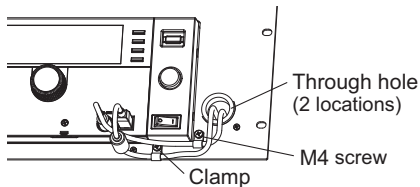
4 Attach the U-shaped bushings to the chassis.



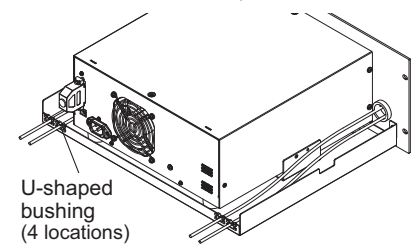
5 Attach the panel to the chassis using the M3 screws (M3x8).



6 Attach the round bushings to the panel's left and right holes.



7 Attach the panel to the rack using the M5 screws (M5x14) and washers.



8 If you need to run the test leads, the remote control cable, and the USB cable that have been attached to the front panel to the back of the TOS5300 Series, pass them through the round bushings, which were attached to the panel's left and right holes.

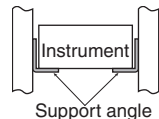
9 Using M4 screws (M4x8) and clamps, fix the cables that have been passed through the round bushings to the panel.

10 Pass the cables that have been run to the back of the TOS5300 Series through the U-shaped bushings that you have attached to the chassis.



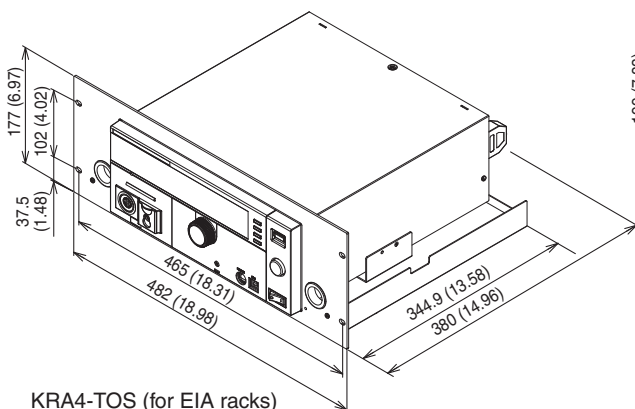
CAUTION

The instrument may fall. Install the suitable support angles applying to the used rack system to support the instrument.

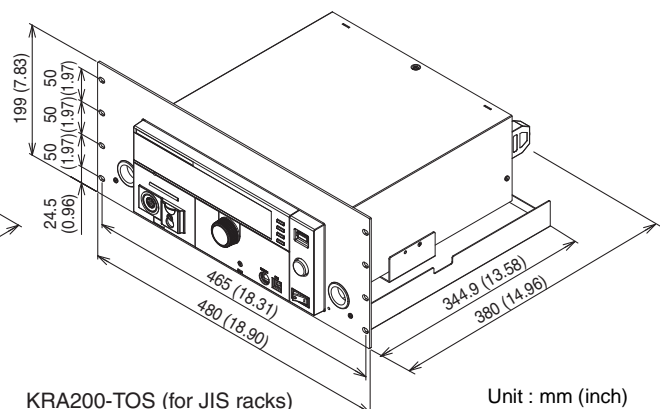


Support angle

Outline drawing



KRA4-TOS (for EIA racks)



KRA200-TOS (for JIS racks)

Unit : mm (inch)

KIKUSUI ELECTRONICS CORP.

1-1-3 Higashiyamata, Tsuzuki-ku, Yokohama, 224-0023, Japan

Tel: +81-45-482-6353

Fax: +81-45-482-6261

www.kikusui.co.jp/en

