

KRA2-PAV is rack mount adapters designed according to EIA and JIS standards.

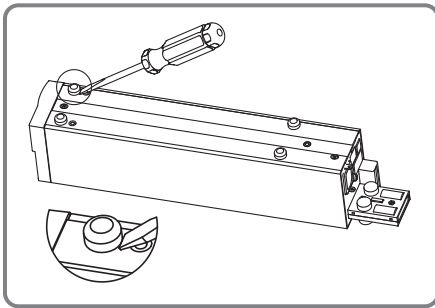
Accessories

Check that all accessories are included and that the unit and accessories have not been damaged during transportation. If any of the unit and accessories are damaged or missing, contact your Kikusui agent or distributor.

Name	Qty
Flat head screws M4x8	18
Instruction Manual (this manual)	1

Procedure for Assembling to Your Equipment

- Using a flat-blade screwdriver, remove the feet from the bottom panel of the PAV series.

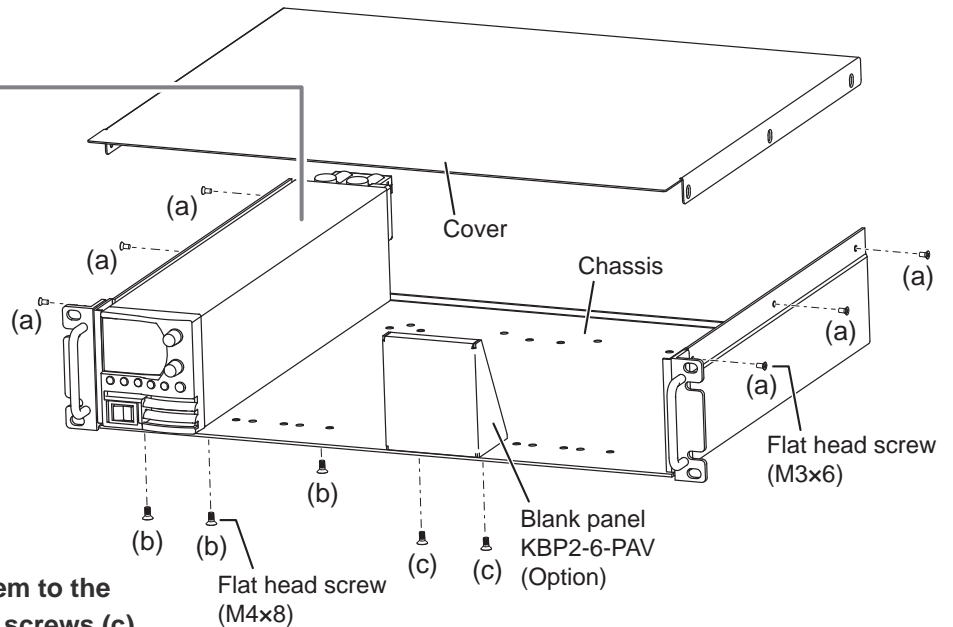


- Remove the flat head screws (a), and remove the cover.

- Fix the PAV to the chassis with the included flat head screws (b).

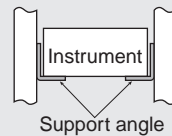
- To use blank panels (option), fix them to the chassis with the included flat head screws (c).

- Attach the cover, and fix it in place with flat head screws (a).



CAUTION

The instrument may fall. Install the suitable support angles applying to the used rack system to support the instrument.



KIKUSUI ELECTRONICS CORP.

1-1-3 Higashiyamata, Tsuzuki-ku, Yokohama,
224-0023, Japan

Tel: +81-45-482-6353

Fax: +81-45-482-6261

www.kikusui.co.jp/en

