

This product is a rack mount adapter for attaching one or two Kikusui PWX Series Regulated DC Power Supplies to a rack.

- KRA1-PWX HALF SINGLE (1 unit): This can be used with JIS millimeter racks and EIA inch racks.
- KRA1-PWX HALF PAIR (2 units): This can be used with JIS millimeter racks and EIA inch racks.

## Components

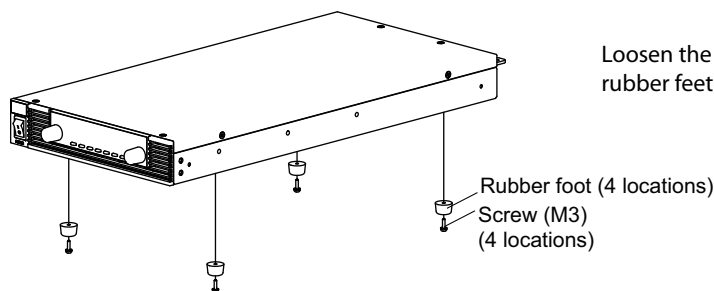
Check that all parts are included and that they are not damaged. If any of the parts are damaged or missing, contact your Kikusui agent or distributor.

No.	Parts Code	Description	Quantity	
			SINGLE	PAIR
1	B9-000-168	Blank panel PWX 1U	1	—
2	B9-000-167	Support board	—	1
3	B9-000-170	Rack mount bracket (R) KRB1-PWX (R)	1	
4	B9-000-171	Rack mount bracket (L) KRB1-PWX (L)	1	
5	E6-000-027	Handle	2	
6	M2-101-008	Support board screw (M3x6)	—	4
7	M2-101-015	Handle and Rack mount bracket screw (M4x8)	8	
8	M3-112-043	Rack mount screw (M5x14)	4	
9	M2-110-006	Blank panel screw (#10-32x3/ 8)	3	—
10	M5-100-005	Blank panel washer (M5)	3	—
11	M5-101-005	Blank panel spring washer (M5)	3	—

## Assembly

Carry out the procedure below to attach the adapter to the PWX Series and mount it on the rack.

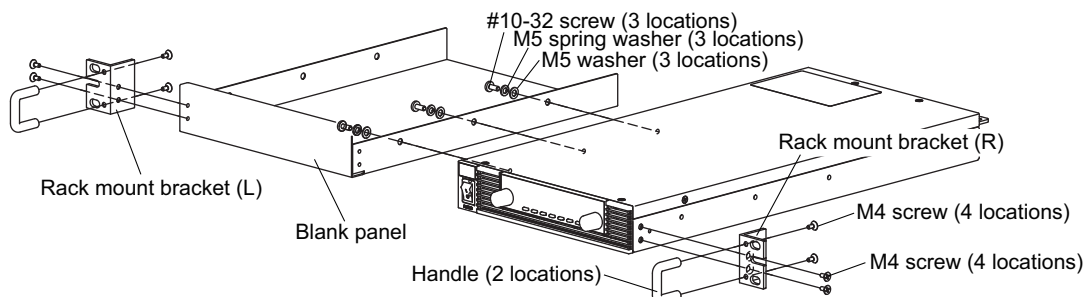
### 1 Remove the rubber feet for the bottom of the PWX Series.



### 2 Attach the parts using the included screws of the PWX Series.

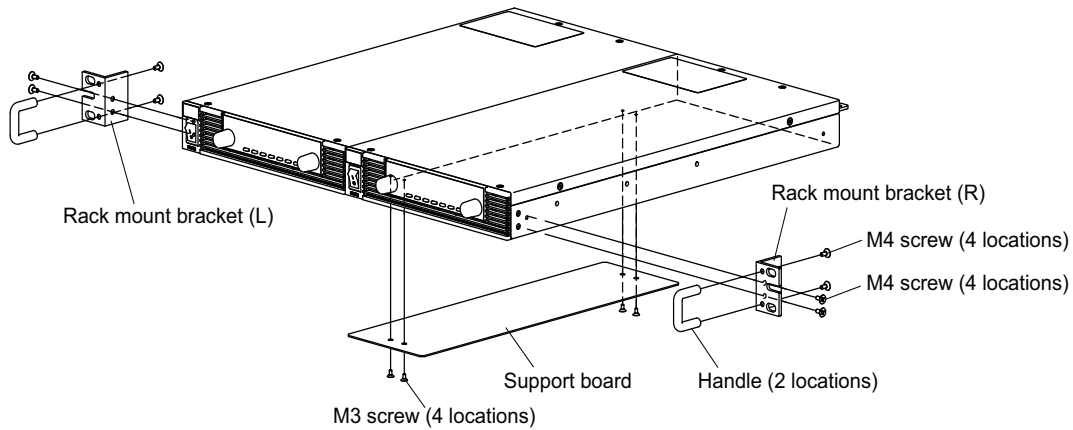
#### ■ When attaching one power supply to a rack

Use #10-32 screws to attach the blank panel to the power supply. Use M4 screws to attach the handles and the rack mount brackets to the power supply.



■ When attaching two power supplies to a rack

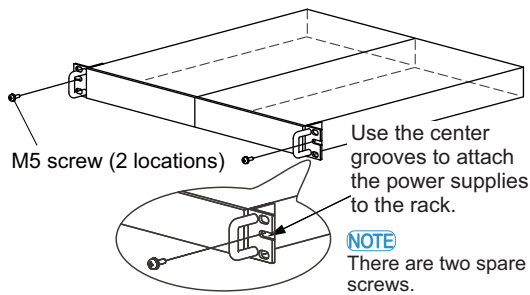
Use M4 screws to attach the handles and the rack mount brackets to the power supplies. Use M3 screws to attach the support board to the power supplies.



3 Attach the PWX series to the rack using the M5 screws.

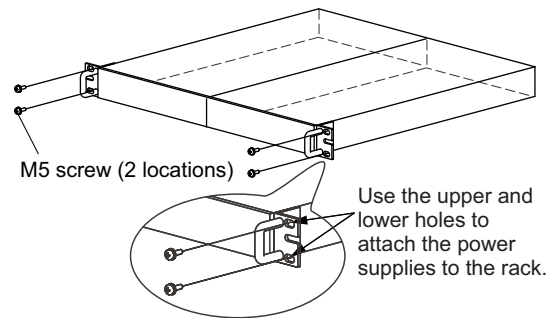
■ When attaching the power supply to a JIS millimeter rack

Use M5 screws in the center grooves to attach the power supplies to the rack.



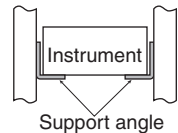
■ When attaching the power supply to an EIA inch rack

Use M5 screws in the upper and lower holes to attach the power supplies to the rack.

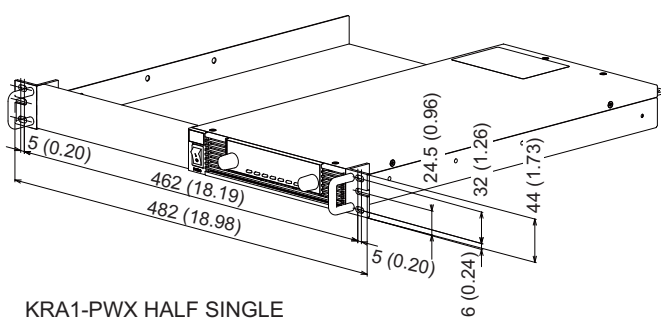


⚠ CAUTION

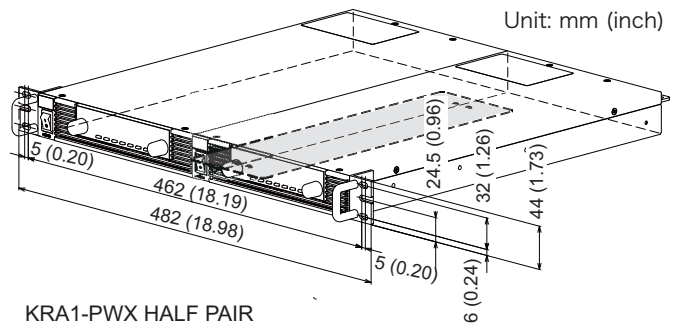
The instrument may fall. Install the suitable support angles apply to the used rack system to support the instrument.



Outline drawing



KRA1-PWX HALF SINGLE



KRA1-PWX HALF PAIR

Unit: mm (inch)

KIKUSUI ELECTRONICS CORP.

1-1-3, Higashiyamata, Tsuzuki-ku, Yokohama, 224-0023, Japan  
TEL : +81-45-482-6353 Fax : +81-45-482-6261

www.kikusui.co.jp/en