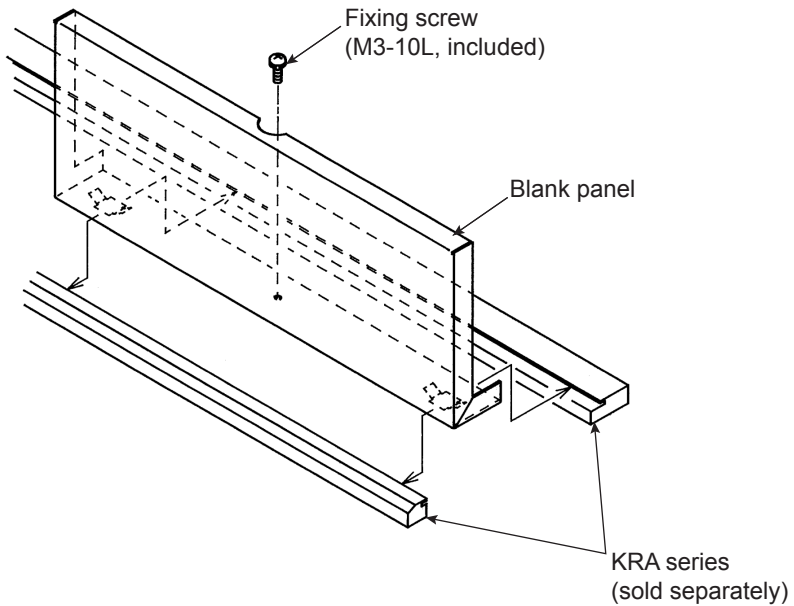


BLANK PANEL KBP2-2

Part No. Z1-006-560, IA005321
Jan. 2016

The KBP2-2 is a 2U-high and 1/2-wide blank panel for the KRA series rack mount adaptor.

To install the KBP2-2 to the rack mount adaptor, refer to the KRA series manual.



KIKUSUI ELECTRONICS CORP.

1-1-3 Higashiyamata, Tsuzuki-ku, Yokohama,
224-0023, Japan

Tel: +81-45-593-7570 Fax: +81-45-593-7571

Website

<http://www.kikusui.co.jp/en>

The newest version of the operation manual can be
downloaded from Download service of Kikusui website.

©2016

