



ASSEMBLY INSTRUCTIONS

Vertical Stand VS01

The VS01 is used as a stand to hold the equipment in a vertical position. The VS01 is designed for easy operation when the equipment is used in standing operation or placed beside the desk, and it is equipped with caster wheels that can be moved easily.

For the applied equipment which can be used with the VS01, contact your Kikusui agent or distributor.

NOTE

The VS01 is designed to be used with the applied KIKUSUI equipment.

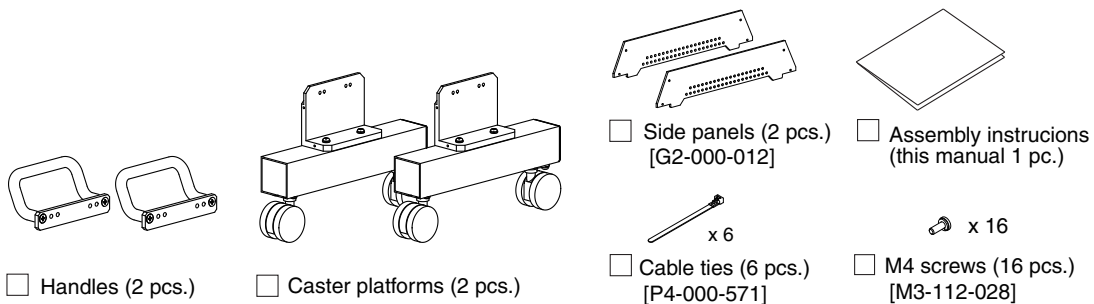
Safety Precautions

- Do not use the handles for lifting the equipment.
The handles are used to help for moving caster wheels. The handles may be used for lifting the equipment to climb over the bumps.
- Do not push or pull the VS01 by force.
When the VS01 is in used as a vertical angle operation, always lock the caster wheels.
It may cause injuries or damage the equipment due to the equipment falling over.
- When connecting the cables, place the equipment in a horizontal position.
- Make sure that the connected cables are not touched on the floor.

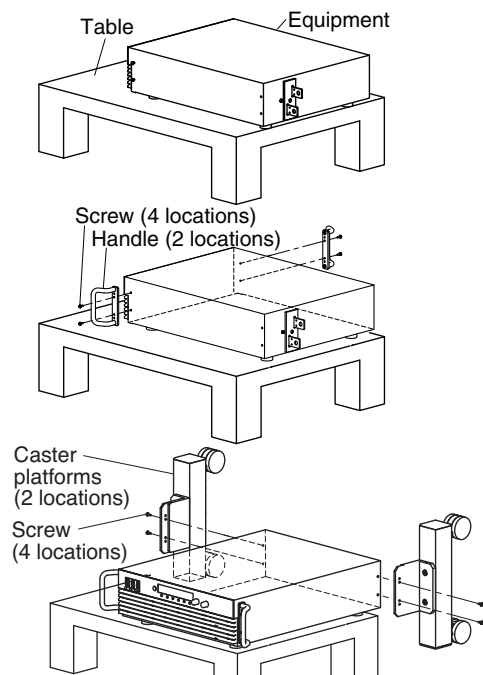
Checking the Package Contents

When you receive the product, check that all accessories are included and that the unit and accessories have not been damaged during transportation.

If any of the accessories are damaged or missing, contact your Kikusui agent or distributor.



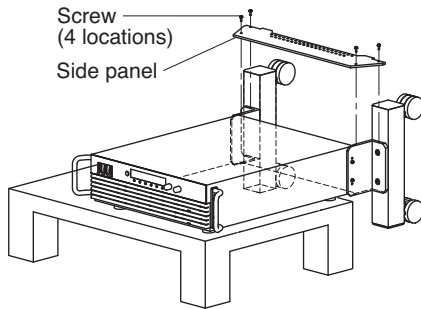
Assembly



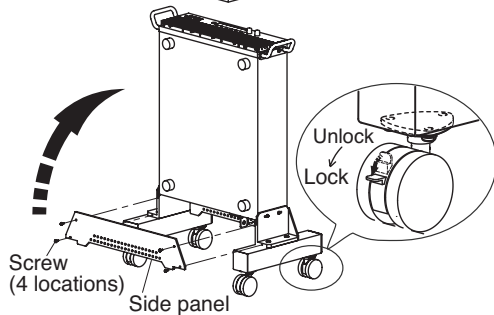
- 1** Place the equipment on the flat surface such as a tabel top, then face the rear panel of the equipment towards out of the table.
For easy assembly, allow enough space on the top and bottom of the equipment. When the equipment weighs more than 18 kgs, use two or more persons to lift the equipment.
- 2** Use the screws included as accessories to attach the handles.
- 3** Use the screws included as accessories to attach the caster platforms.
- 4** Connect the cables and/or terminal covers to the terminals of the equipment.
Refer to the operation manual of the applied equipment for wiring instructions, warnings and cautions.

NOTE

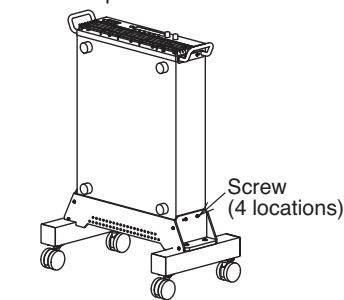
After installing the side panels, connecting cables and/or terminal covers may be difficult.
All of the wirings must be completed before proceeding to the Step 5 .



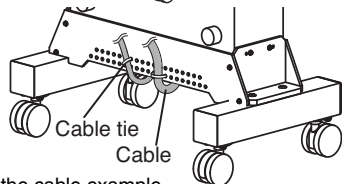
- 5** Use the screws included as accessories to attach the side panel on the top side of the equipment.



- 6** Check that the caster wheels on the caster platforms are locked. Unload the equipment from the table, then place the VS01 in a vertical position. Use the screws included as accessories to attach the side panel on the bottom side of the equipment. When the equipment weighs more than 18 kgs, use two or more persons to unload the equipment.



- 7** Place the equipment on the flat floor, and check that the equipment is firmly assembled. In case the VS01 is wobbling, loosen the screws attached in Step 3 , then adjust and tighten the screws again.

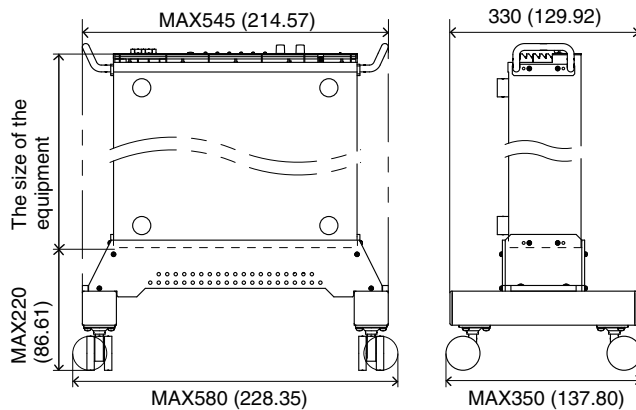


- 8** Check that the cables are not touching on the floor. Use the holes on the side panels to bind the cable with cable ties.

Bind the cable example

Assembly is completed.

Outline drawing



Weight: Approx.5 kg (11.02 lb)
(Excluding the weight of the equipment)

Unit: mm (inch)

KIKUSUI ELECTRONICS CORP.

www.kikusui.co.jp

© 2008