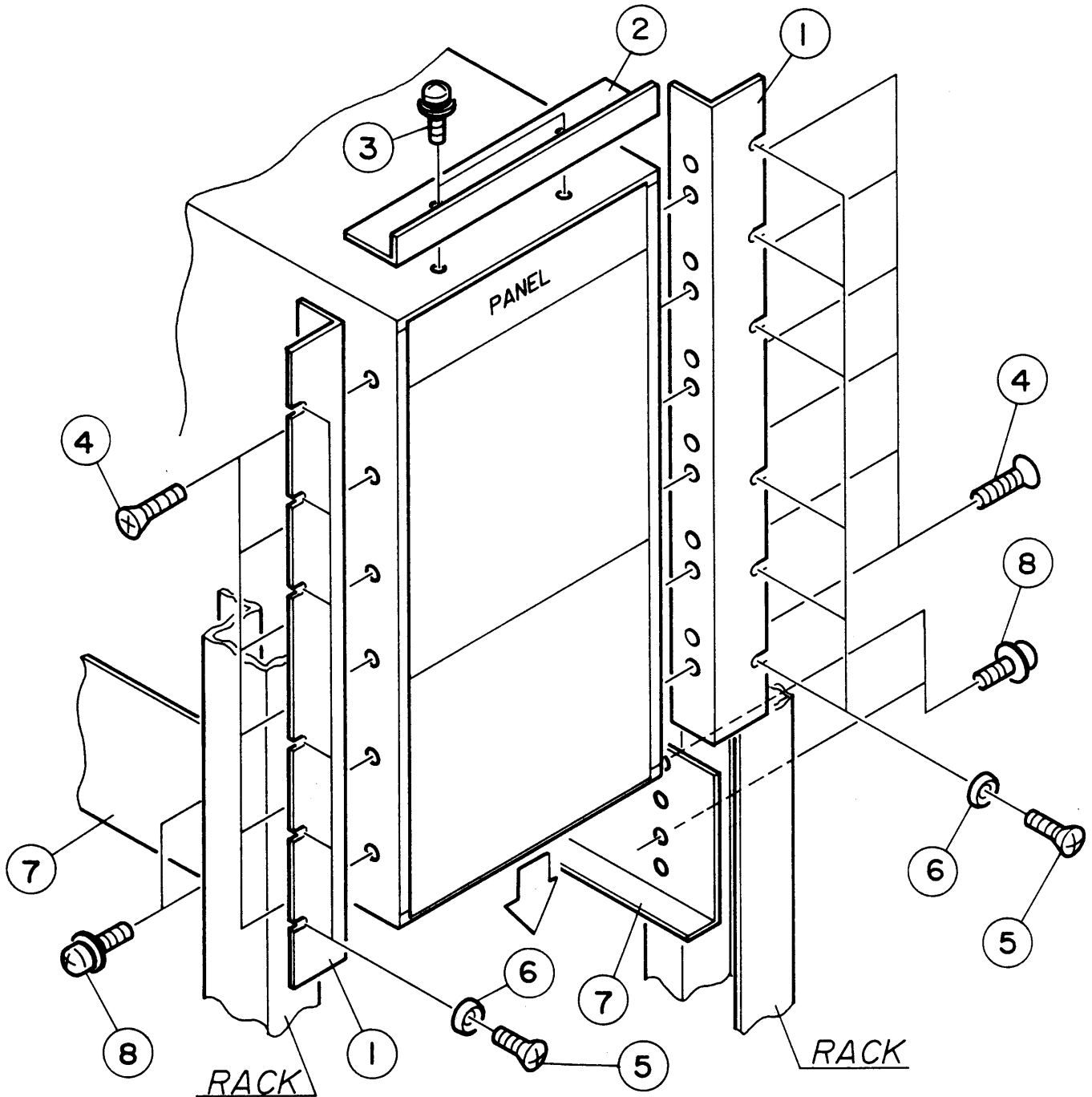


BRACKET BH23



NO.	DESCRIPTION	QTY	CODE NO.
1	BRACKET BH23	2	D3-988-801
2	BLANK PANEL BH23	1	A4-988-801
3	SCREW WITH SW,PW M3x0.5x12 S-ZN	2	M3-012-041
4	SCREW,FLAT HEAD M5x0.8x20 S-ZMC2	12	M2-001-451
5	SCREW,OVAL HEAD M5x0.8x14 B-NI	12	M2-002-091
6	FINISHING WASHER 5CW	12	M5-003-031
7	RAIL FOR EXTRA WEIGHT	2	D4-988-701
8	SCREW WITH SW,PW M5x0.8x10 S-ZN	8	M3-012-131