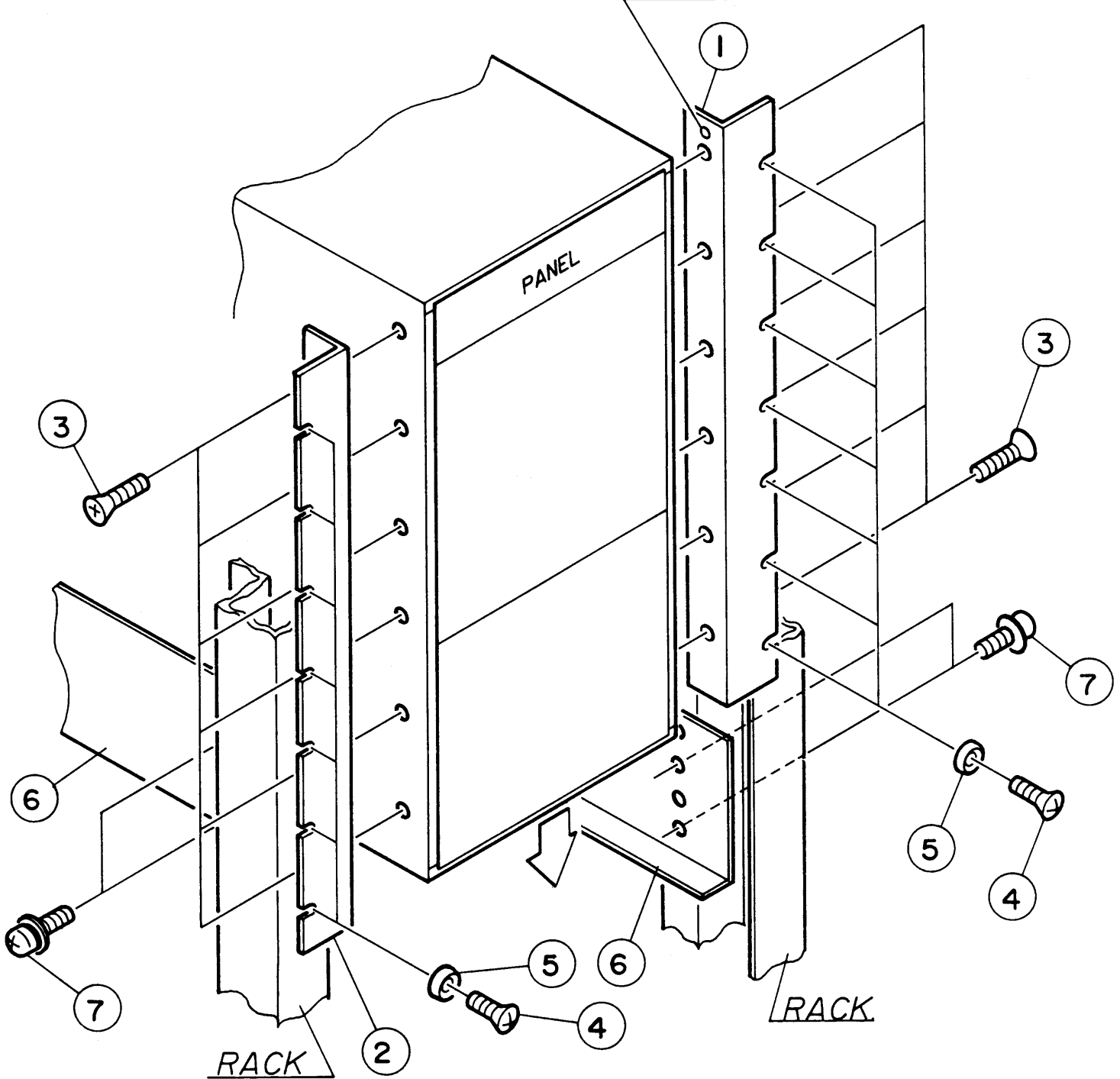


BRACKET BH20M

HOLE (RIGHT ONLY)



NO.	DESCRIPTION	QTY	CODE NO.
1	BRACKET BH20M RIGHT	1	D3-988-401
2	BRACKET BH20M LEFT	1	D3-988-402
3	SCREW,FLAT HEAD M5x0.8x20 S-ZMC2	12	M2-001-451
4	SCREW,OVAL HEAD M5x0.8x14 B-NI	14	M2-002-091
5	FINISHING WASHER 5CW	14	M5-003-031
6	RAIL FOR EXTRA WEIGHT	2	D4-988-701
7	SCREW WITH SW,PW M5x0.8x10 S-ZN	8	M3-012-131