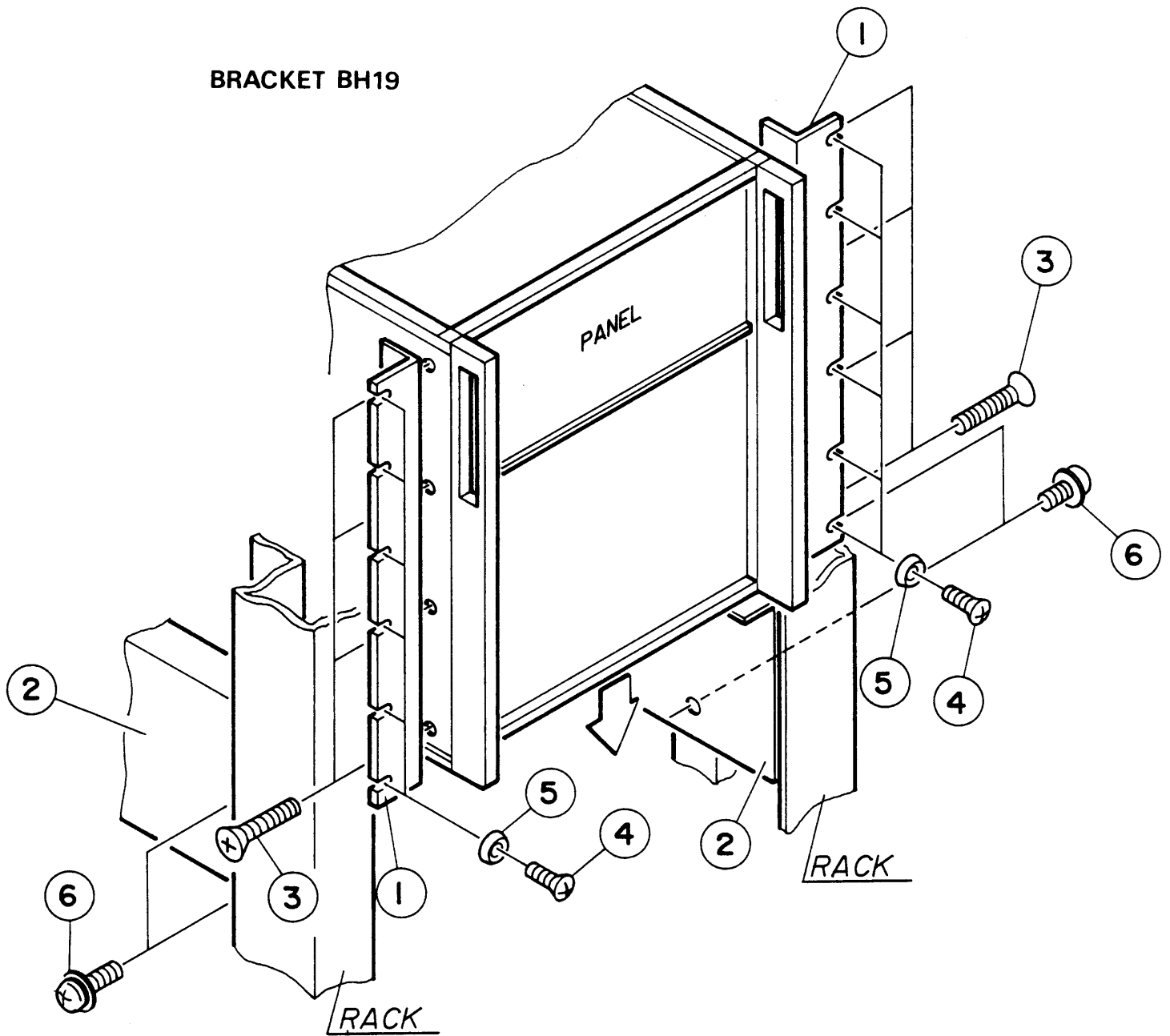


BRACKET BH19



| NO. | DESCRIPTION | QTY | CODE NO. |
|-----|---------------------------------|-----|------------|
| 1 | BRACKET BH19 | 2 | D3-984-401 |
| 2 | STAY FOR BH19 | 2 | D3-984-402 |
| 3 | SCREW,FLAT HEAD M6x1x25 S-ZN | 8 | M2-001-213 |
| 4 | SCREW,OVAL HEAD M5x0.8x14 B-NI | 12 | M2-002-091 |
| 5 | FINISHING WASHER 5CW | 12 | M5-003-031 |
| 6 | SCREW WITH SW,PW M5x0.8x10 S-ZN | 8 | M3-012-131 |