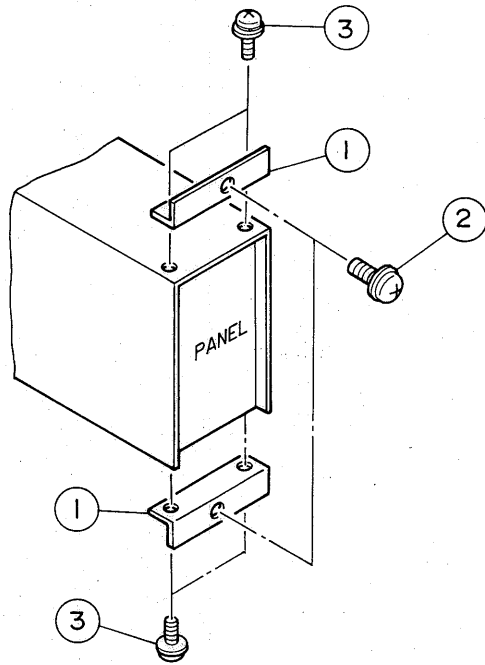


BRACKET B51



NO.	DESCRIPTION	QTY	CODE NO.
1	BRACKET B51	2	B9-924-401
2	SCREW WITH PW (S) M4x8 B-NI	2	M3-000-111
3	SCREW WITH SW, PW M3x6 S-ZN	4	M3-012-011