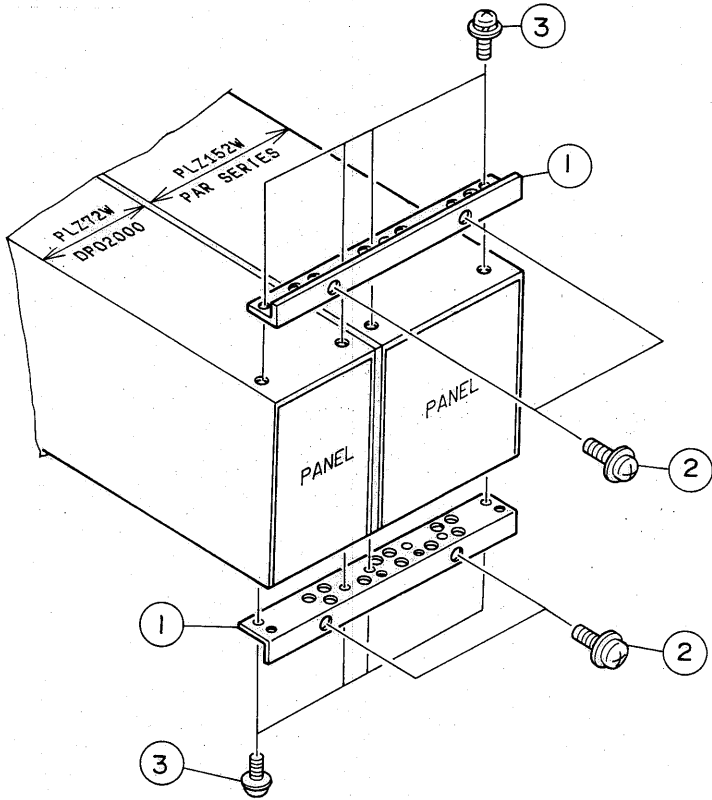


BRACKET B24



NO.	DESCRIPTION	QTY
1	BRACKET B24	2
2	SCREW WITH PW (S) M4x8 B-NI	4
3	SCREW WITH SW, PW M3x6 S-ZN	12